



Home | Hotel | Office



CONNECTING THE FUTURE



Modular Power + Connect Sustainable





Mukesh Panjwani | CEO

"The future is a canvas awaiting the strokes of those who believe in the beauty of their dreams". At MX MDR Technologies Ltd, we embody this ethos with our unwavering commitment to connecting the future. As the torchbearer of excellence, MX, which emanates from the magic of Xcellence, was founded in 1978 by the visionary entrepreneur, Mr. Mukesh V Panjwani. Pioneering the industry, MX stands as the leading manufacturer of Electronics, Audio Video cables and Electrical accessories. Our state of-the-art manufacturing unit is nestled in Vasai, Dist. Palghar, Maharashtra, while our dynamic Experience center is based in Mumbai, Bengaluru, Hyderabad, Delhi & Pune, India.

Since inception, MX has consistently delivered tailored electrical and electronic solutions to Architects, Interior Designers, Furniture Manufacturers, System Integrators, Electrical Contractors, Service Providers, and Corporate Clients. Our strong distributor network spans across India, while our global footprint extends to Israel, Spain, Italy, France, the Netherlands, the UAE, Saudi Arabia, South Africa, and other international markets.

Carrying the spirit of "Made in Bharat" to the world, MX is not just a brand — it is a legacy of trust, credibility, and sustained value creation.

Our Principles:

- SERVICE
- QUALITY
- DESIGN
- INNOVATION
- MADE IN BHARAT

In 2016, MX Power emerged as a dedicated vertical, strengthening our portfolio with advanced electrical power and cable management systems. Designed for Residential, Industrial, Institutional, Hospitality, and Healthcare segments, MX Power reflects our relentless pursuit of progress and innovation.

AWARDED MOST INNOVATIVE PRODUCT BY ORGATEC, GERMANY



About Us



BIS CERTIFIED



ISI CERTIFIED
CM/L: 7700219316

IT power distribution

HOME

48

 years of experience

in developing, manufacturing and distributing high-quality power distribution solutions, AV accessories & pro audio products

connecting the **future**

over **10000** standard products

BASED IN **MUMBAI**

HOTEL

1978
Year founded



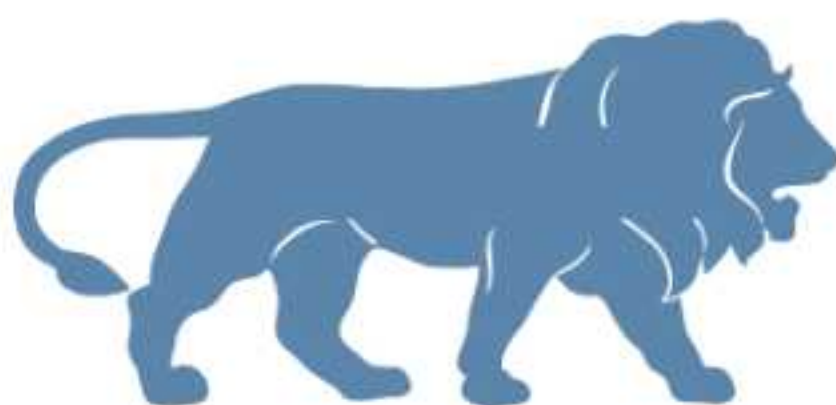
MX POWER

POWER DISTRIBUTION UNITS



PROVIDING **LIFE** QUALITY

AROUND **200** EMPLOYEES WORLDWIDE



MADE IN **BHARAT**



OFFICE

Contents

| | |
|--|---------|
| NUEVO MODULAR POWER TRACKS C55 / C34 | 8-11 |
| STANDARD POWER TRACKS | 12-13 |
| ADAPTORS & MULTIMEDIA CONNECTORS | 14-15 |
| NUEVO UNDER DESK POWER & DATA TRACKS S68 | 16-17 |
| NUEVO DESKTOP POWER & DATA TRACKS D88 | 18-19 |
| FREE STANDING TOWER TRACKS/POWER POLE | 20-23 |
| VERTICAL POWER & DATA POLE FLOOR TO CEILING | 24-25 |
| DESKTOP CONSOLE | 26-29 |
| UNDER DESK CONSOLE | 30-33 |
| IN-SURFACE POWER DISTRIBUTION UNIT C55 / C34 | 34-37 |
| EMBEDDED POWER & DATA SOCKET - SCREW & PUSH TYPE | 38-41 |
| POWER CUBBY | 42-49 |
| DESKTOP POWER GROMMET | 50-53 |
| PLUTO DOCK & GROMMET | 54-57 |
| POWER POST PUSH-UP | 58-62 |
| SOLO POWER MANAGER/FURNITURE NESTED POWER | 63-65 |
| FLIP TOP PUSH | 66-67 |
| AERO FLIP | 68-69 |
| COMFORT TURN POP-UP | 70-71 |
| DUPLEX ACCESS FLAP | 72-73 |
| CABLE CUBBY & CABLE RETRACTOR | 74-77 |
| CABLE WING | 78-79 |
| DOCKSQUARE | 80-81 |
| DESKTOP MOTORIZED & MANUAL TURN POP-UP | 82-83 |
| ACCESS FLAPS | 84-86 |
| CABLE ORGANISER | 87 |
| COMPACT NETWORK PDU WITH SWITCHABLE C13 OUTLETS | 88-99 |
| VERSATILE POWER DRISTRIBUTION UNIT (PDU) | 90-91 |
| TRANSPARENT PROTECTIVE WINDOW COVER FOR MCB | 92 |
| IP66 WATER PROOF SOCKET BOX | 93-94 |
| 45mm x 45mm POWER & DATA CUBBY MODULE BOX | 95 |
| CEILLING MOUNT POWER BOX | 96-97 |
| FLOOR BOX | 98-107 |
| 45mm x 45mm SOCKET PLATES | 108-113 |
| RETRACTABLE & PORTABLE CABLE REELS | 114-116 |
| CORDS & POWER EXTENSIONS | 117 |
| INDUSTRIAL PLUGS & SOCKET | 118-131 |
| SMART INTELLIGENT POWER DISTRIBUTION UNIT(PDU) | 132 |

Research & Development

1. Safety and Efficiency :

- Developing fire-resistant materials for outlet housings.
- Designing outlets with improved electrical conductivity for reduced energy loss.
- Integrating surge protection technology to safeguard against electrical damage.
- Implementing overload protection mechanisms to prevent overheating.
- Exploring new materials and manufacturing techniques to improve durability and longevity.

2. Sustainability and Environmental Impact :

- Developing energy-efficient outlets that consume less power when not in use.
- Exploring the use of renewable energy sources to power manufacturing processes.
- Reducing waste and minimizing the environmental impact of production.

3. User Experience and Innovation :

- Designing outlets with improved usability and accessibility features.
- Exploring new functionalities like USB charging ports and Quick Charge Technologies.
- Creating aesthetically pleasing outlet designs that complement modern home décor.
- Enhancing user convenience through features like tamper resistance and childproof protection.

4. Indian Regulatory Compliance and International Standards :

- Ensuring all MX power outlets comply with relevant national and international safety standards.
- Investing in testing and certification to guarantee product reliability and safety.
- Continuously staying updated on regulatory changes and adapting product designs accordingly.



Product Innovations

Multiple Socket:

MX revolutionizes power outlets with innovative Multi-Nation Sockets, including Indian, Universal, and UK variants. Our cutting-edge designs enhance compatibility and convenience, ensuring seamless connectivity for global users. Experience the future of power solutions & wireless charging.



Multi colors :

Our multi-colored and customizable power outlets are more than just functional tools; they are design statements. By embracing this innovation, you can transform your workspace into a vibrant and inspiring environment that reflects your unique personality and brand.



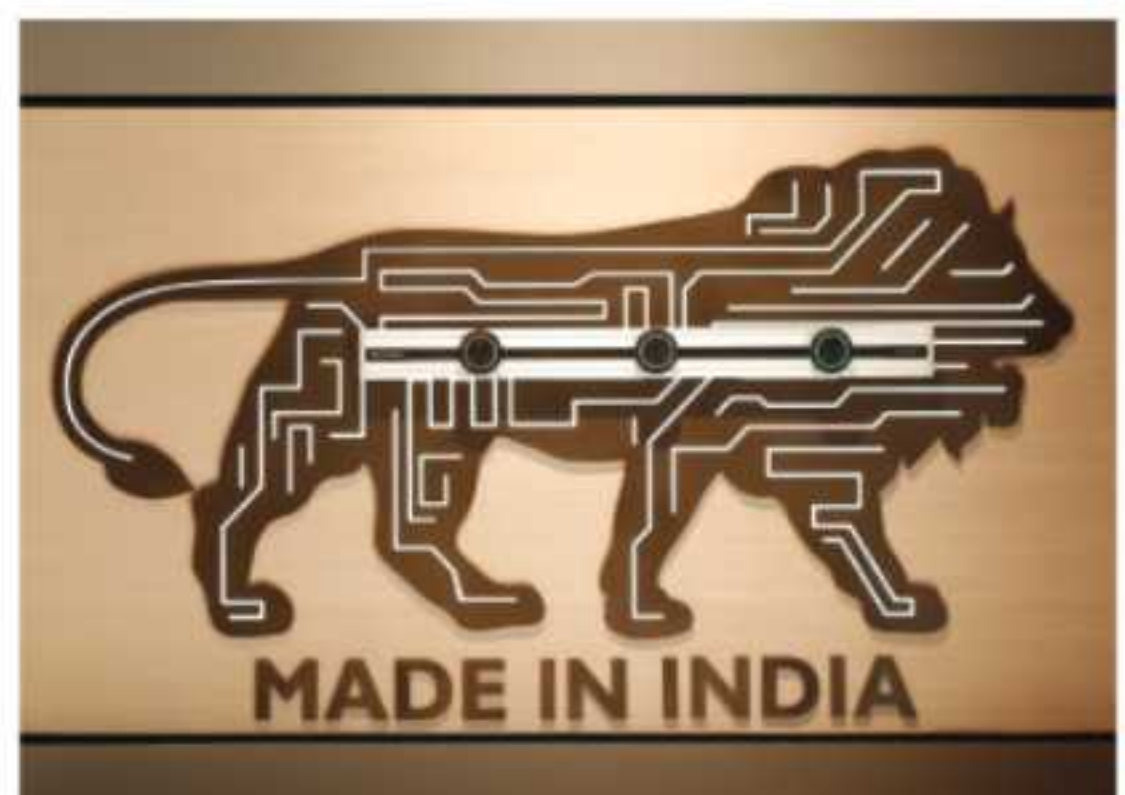
Quick & Wireless Charging :

We unveil our groundbreaking innovation by seamlessly integrating Qualcomm Quick Charge 3.0 for Power Delivery (PD) charging directly into our power outlets. Elevate your charging experience with MX's state-of-the-art technology, featuring wireless charging options for swift and efficient power delivery to your devices. Experience accelerated charging, thanks to our unwavering commitment to advanced solutions.



Made In Bharat :

We have played a pivotal role in India's growth through our participation in the "Make in India" initiative. By manufacturing homegrown power outlets, we contribute to the nation's self-reliance goals. These locally-produced outlets adhere to global standards, showcasing our commitment to quality and innovation. This not only boosts the domestic manufacturing sector but also positions us as a key player in India's technological advancement.



Function Modules

Childproof product

Our power outlets boast a childproof protection system, rigorously tested to meet international standards. Designed with utmost safety in mind, these outlets ensure a secure environment, adhering to globally recognized benchmarks. Rest assured that our childproof features provide robust protection, guaranteeing a safe and reliable electrical solution for your home.



Surge protection

We take power safety to the next level with built-in surge protection on our power outlets. Safeguard your devices from voltage spikes and surges, ensuring uninterrupted performance and extending the lifespan of your electronics. Trust us for advanced surge protection, providing peace of mind for your connected devices.



EMI/Noise filters with Advanced X3 Mov technology

Our power outlets stand out with EMI/Noise filters and Advanced X3 MOV technology, ensuring a clean and efficient power supply. This innovative combination eliminates electromagnetic interference and unwanted noise, guaranteeing a reliable and stable power source for your devices. Experience optimal performance and protection with our advanced technology.



Circuit Breaker

Redefines safety with our power outlets featuring a built-in circuit breaker switch. This smart addition ensures immediate protection against overloads and short circuits, providing a reliable shield for your devices and peace of mind for users. Experience a new level of safety.





CONNECTING THE FUTURE

USB Charging

Enhance convenience with built-in USB slots on our power outlets. Charge your devices directly without the need for adapters, providing a seamless and efficient charging solution. With multiple options like USB A 3.0, USB A+ C, and USB C up to 95 watts power. Experience the future of connectivity with us, where power and versatility meet in a single outlet.



Safety Shutter

Safety is paramount with our power outlets featuring innovative safety shutters. These built-in shutters provide an extra layer of protection, preventing accidental contact with live components. We ensure peace of mind, prioritizing safety in every socket for a secure and worry-free power experience.



ISI Certified

Built for safety you can trust. Our power outlets are equipped with ISI Certified sockets, ensuring compliance with rigorous Indian safety and quality standards. Designed for durability, reliable conductivity, and enhanced protection, these sockets deliver consistent performance while prioritizing user safety.



Universal Sockets & UK sockets

Our power outlets feature Universal Socket, offering a versatile solution for global connectivity. This innovative feature accommodates a variety of plug types, including the UK plug, making it convenient for users worldwide. Experience seamless compatibility and enhanced flexibility with Universal Socket – where power meets adaptability





Modular Power Tracks

MX NUEVO C55

RECESS MOUNT POWER & DATA TRACK

The MX C55 Recess mount modular track series is designed for straightforward recessed mount installation, catering to power, data, and multimedia needs while featuring a cable management compartment. Ideal for applications such as boardrooms, conference rooms, and meeting room tables, it comes highly recommended for office and original equipment manufacturer (OEM) segments in system furniture. Customizable to any plug or multimedia socket configuration, and adjustable to fit specific length requirements.

SPECIFICATION

Electrical

Rated Voltage : 250V— Single-phase
 Rated Current : 32 Amps (Max)
 Frequency : 50 / 60Hz
 Terminal Capacity : 1.25 mm² - 4 mm²

Size

Standard Length : 400mm-1200mm (refer table)
 Customization : Lengths & configuration available upon request

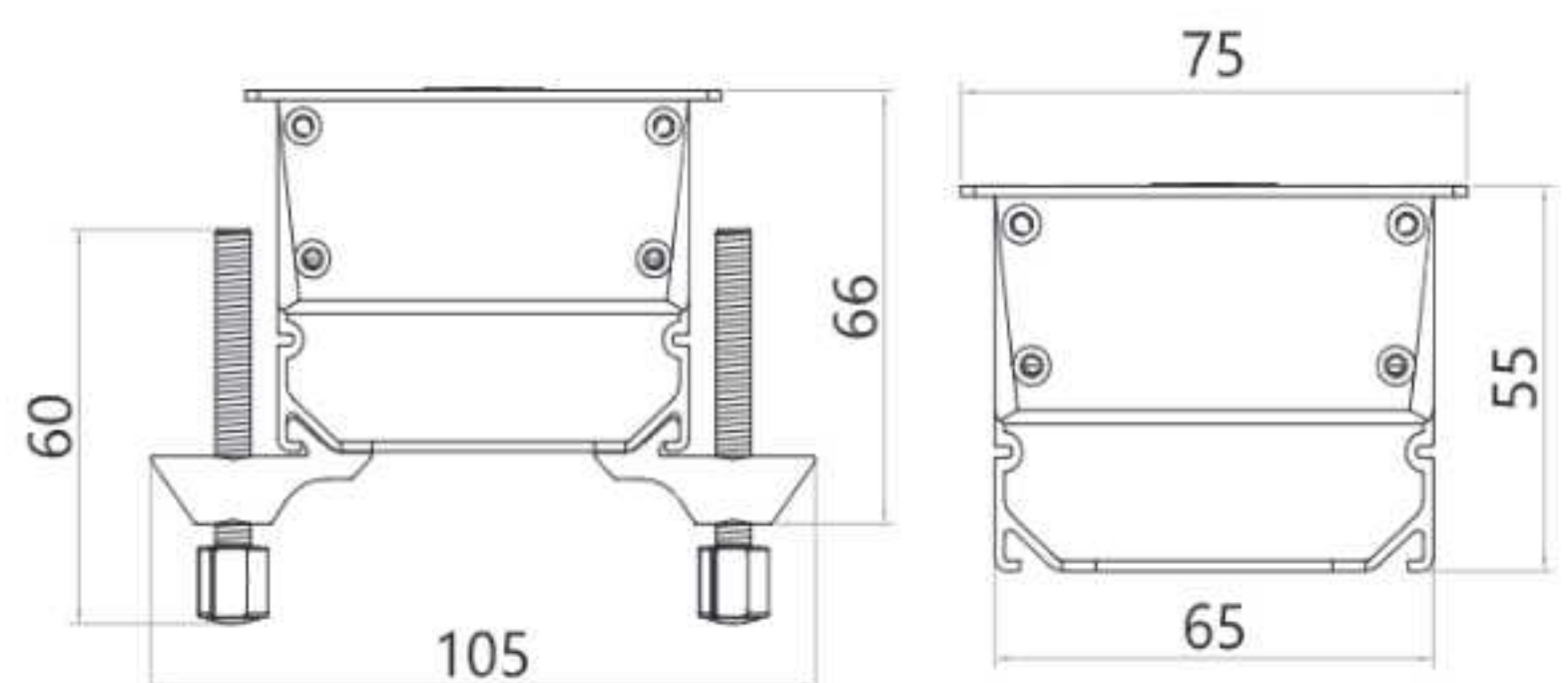
Material

Track Housing : Anodized Aluminum
 End Cap : Polycarbonate
 Busbar Carrier : Polycarbonate
 Conductor : Phosphor Bronze (Copper)
 Finish: Black, Silver

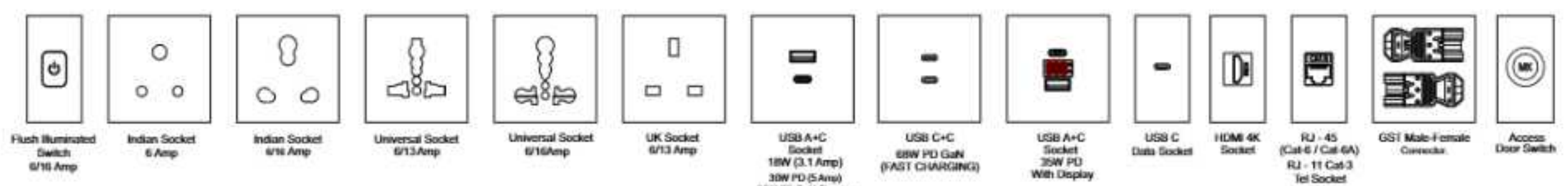


MX Nuevo C55

| MX No. | Sizes | Dimensions |
|--------|--------|------------|
| 6301 | 400mm | 75 x 55 |
| 6301 A | 500mm | 75 x 55 |
| 6301 B | 600mm | 75 x 55 |
| 6301 C | 800mm | 75 x 55 |
| 6301 D | 900mm | 75 x 55 |
| 6301 E | 1000mm | 75 x 55 |
| 6301 F | 1200mm | 75 x 55 |



Customized Multimedia & Sockets on Request :



Modular Power Tracks

MX NUEVO C55 WIRELESS

RECESS MOUNT COMPACT POWER & DATA TRACK

The MX C55 Recess mount modular track series is designed for straightforward recessed mount installation, catering to power, data, and multimedia needs while featuring a cable management compartment. Ideal for applications such as boardrooms, conference rooms, and meeting room tables, it comes highly recommended for office and original equipment manufacturer (OEM) segments in system furniture. Customizable to any plug or multimedia socket configuration, and adjustable to fit specific length requirements.

SPECIFICATION

Electrical

Rated Voltage : 250V— Single-phase

Rated Current : 32 Amps (Max)

Frequency : 50 / 60Hz

Terminal Capacity : 1.25 mm² - 4 mm²

Wireless Charger : 15 Watts

Size

Standard Length : 400mm-1200mm (refer table)

Customization : Lengths & configuration available upon request

Material

Track Housing : Anodized Aluminum

End Cap : Polycarbonate

Busbar Carrier : Polycarbonate

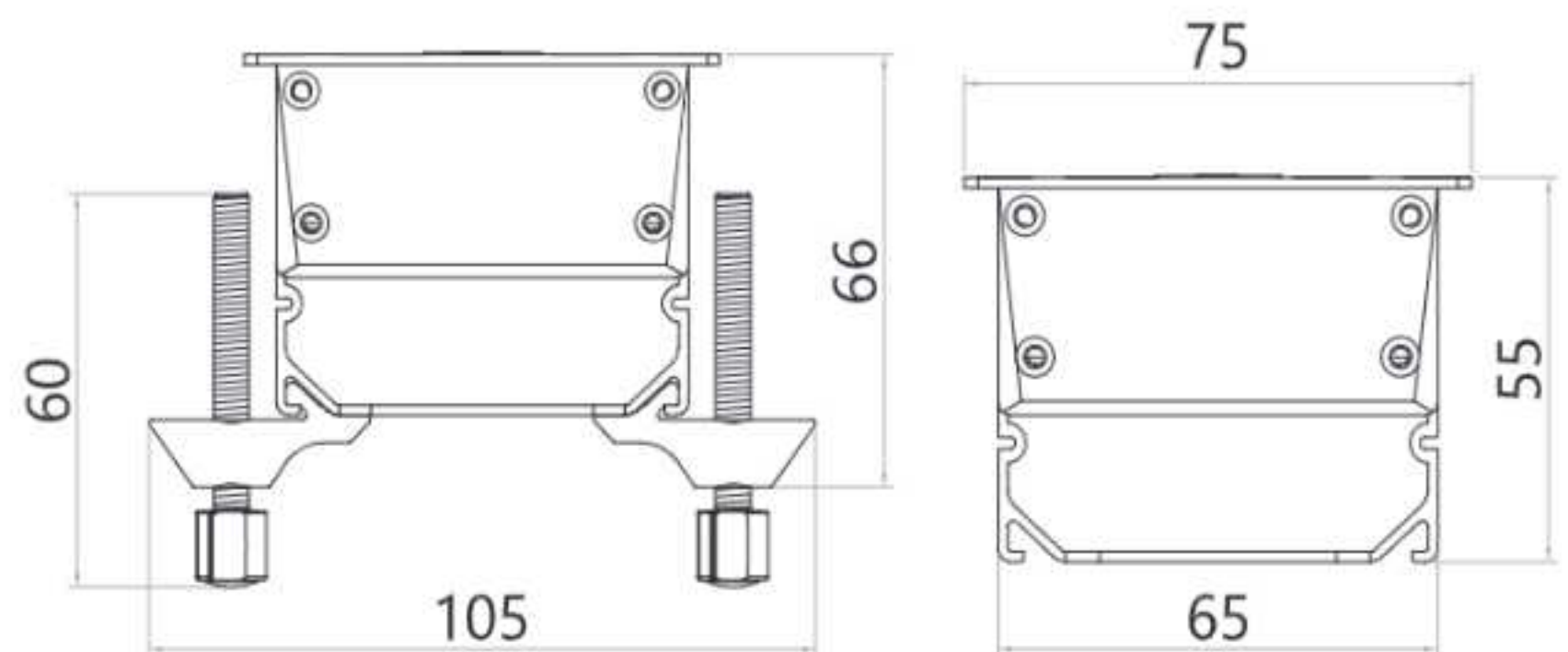
Conductor : Phosphor Bronze (Copper)

Finish: Black, Silver

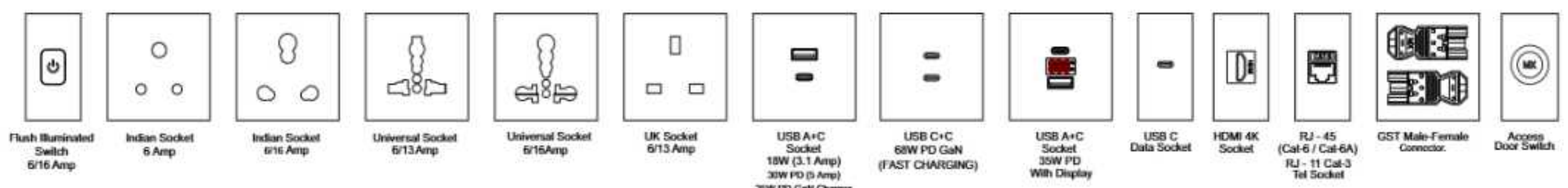


MX Nuevo C55 Wireless

| MX No. | Sizes | Dimensions |
|-----------|--------|------------|
| 6301 Qi | 400mm | 75 x 55 |
| 6301 A Qi | 500mm | 75 x 55 |
| 6301 B Qi | 600mm | 75 x 55 |
| 6301 C Qi | 800mm | 75 x 55 |
| 6301 D Qi | 900mm | 75 x 55 |
| 6301 E Qi | 1000mm | 75 x 55 |
| 6301 F Qi | 1200mm | 75 x 55 |



Customized Multimedia & Sockets on Request :



Modular Power Tracks

MX NUEVO C34

RECESS MOUNT COMPACT POWER TRACK

The MX C34 Recess mount modular track series is designed for straightforward recessed mount installation, catering to power, data, and multimedia needs while featuring a cable management compartment. Ideal for applications such as boardrooms, conference rooms, and meeting room tables, it comes highly recommended for office and original equipment manufacturer (OEM) segments in system furniture. Customizable to any plug or multimedia socket configuration, and adjustable to fit specific length requirements.

SPECIFICATION

Electrical

Rated Voltage : 250V— Single-phase

Rated Current : 32 Amps (Max)

Frequency : 50 / 60Hz

Terminal Capacity : 1.25 mm² - 4 mm²

Size

Standard Length : 400mm-1200mm (refer table)

Customization : Lengths & configuration available upon request

Material

Track Housing : Anodized Aluminum

End Cap : Polycarbonate

Busbar Carrier : Polycarbonate

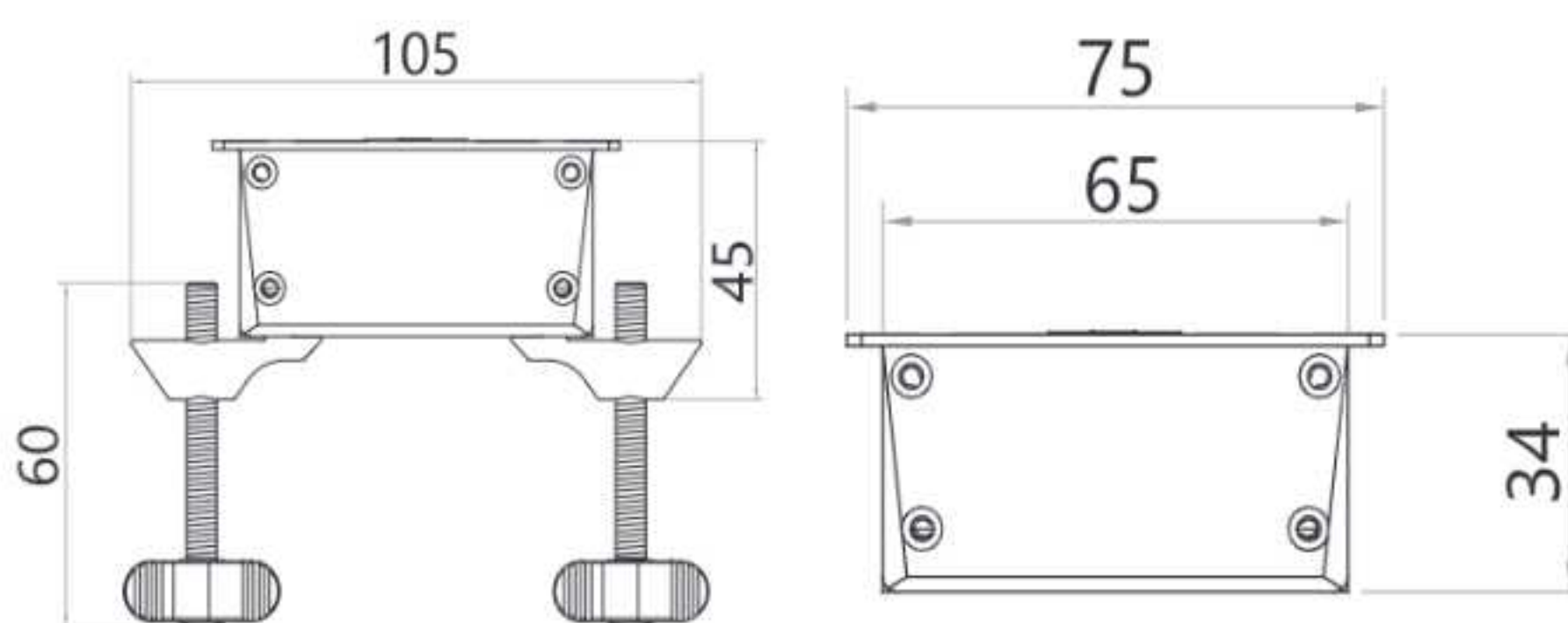
Conductor : Phosphor Bronze (Copper)

Finish: Black, Silver

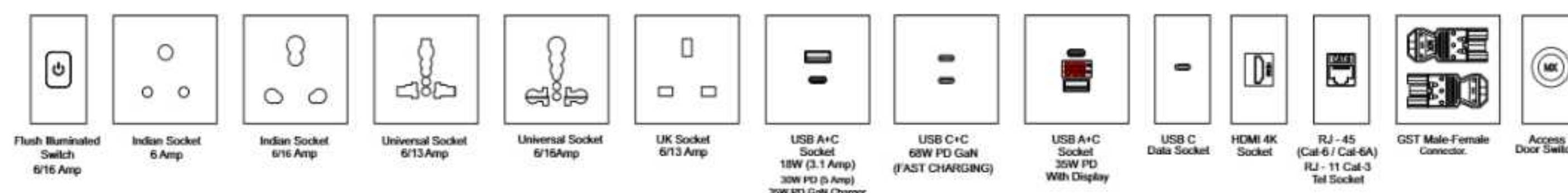


MX Nuevo C34

| MX No. | Sizes | Dimensions |
|--------|--------|------------|
| 6302 | 400mm | 75 x 34 |
| 6302 A | 500mm | 75 x 34 |
| 6302 B | 600mm | 75 x 34 |
| 6302 C | 800mm | 75 x 34 |
| 6302 D | 900mm | 75 x 34 |
| 6302 E | 1000mm | 75 x 34 |
| 6302 F | 1200mm | 75 x 34 |



Customized Multimedia & Sockets on Request :





Standard Power Tracks

We set the standard with on-surface and in-surface tracks, providing a mid-height power solution ideal for office spaces, server rooms, display counters, kitchens, schools, and various shared environments. Engineered for effortless usability, it seamlessly integrates with free tabletop-mounted solutions. MX tracks are customizable, offering voice/data modules such as Cat 6, Cat 6a, Cat 6 shielded, and audio/video modules like HDMI, USB C, USB A 2.0/3.0, VGA, 3.5mm Stereo, Display Ports, USB C Charging and Retractable Modules.

MX Wall to Wall in-surface modular track series is the sleek and perfect solution for recessed power & data installations allowing easy access to power for tables, desk, partitions and kitchen dado. Plastically sleek and perfect to go with modular kitchen, living room OEM segment.

SPECIFICATION

Electrical

Rated Voltage : 250V— Single-phase
 Rated Current : 32 Amps maximum
 Frequency : 50 / 60Hz
 Terminal Capacity : 1.25 mm² - 4 mm²

Material

Track Housing : Anodized Aluminum
 End Cap : Polycarbonate
 Busbar Carrier : Polycarbonate
 Conductor : Phosphor Bronze (Copper)
 Finish: Black, Silver & Rose Gold

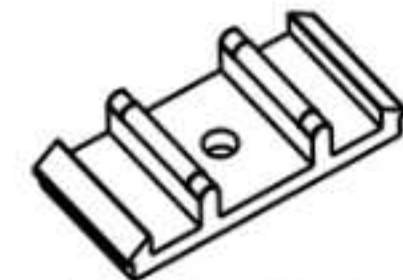
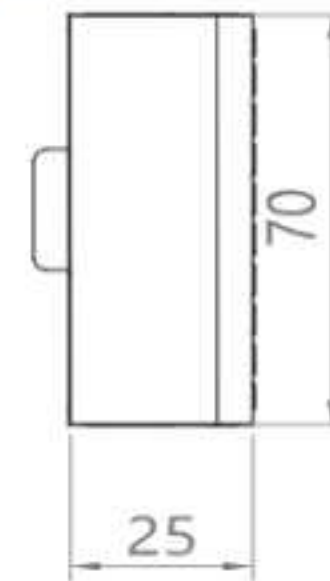
Size

Standard Length : 400mm-1500mm (refer table)
 Customization : Lengths & configuration available upon request



MX Surface Mount Track With Switch

| MX No. | Sizes | Dimensions |
|--------|--------|------------|
| 6000 | 400mm | 70 x 25 |
| 6000A | 600mm | 70 x 25 |
| 6000B | 800mm | 70 x 25 |
| 6000C | 1000mm | 70 x 25 |
| 6000D | 1200mm | 70 x 25 |
| 6000E | 1500mm | 70 x 25 |



Wall Mount Bracket

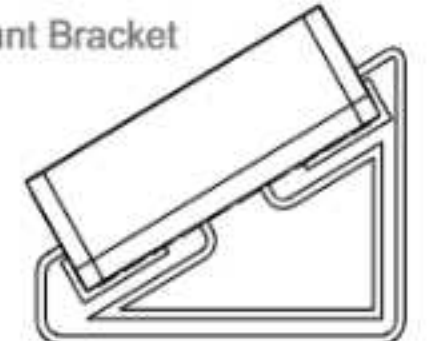
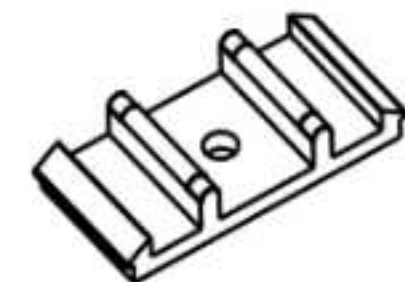
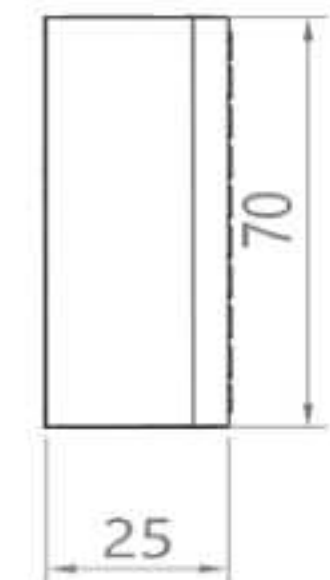


Table Mount Bracket



MX Surface Mount Track Without Switch

| MX No. | Sizes | Dimensions |
|--------|--------|------------|
| 6100 | 400mm | 70 x 25 |
| 6100A | 600mm | 70 x 25 |
| 6100B | 800mm | 70 x 25 |
| 6100C | 1000mm | 70 x 25 |
| 6100D | 1200mm | 70 x 25 |
| 6100E | 1500mm | 70 x 25 |



Wall Mount Bracket

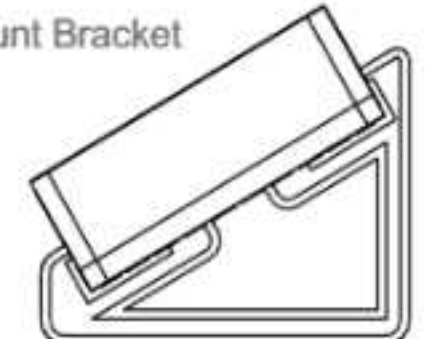
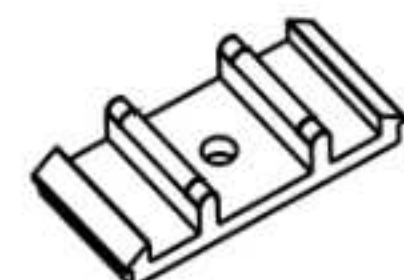
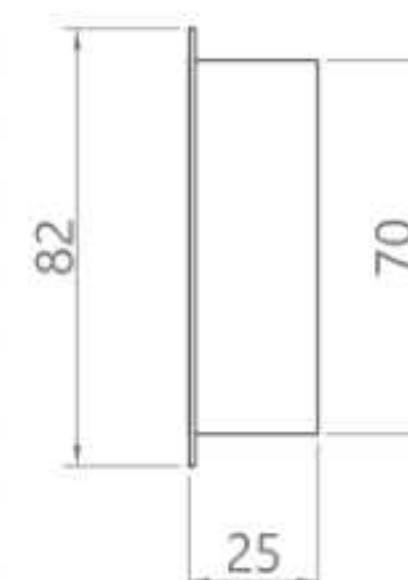


Table Mount Bracket



MX Recess Mount Track

| MX No. | Sizes | Cutout (mm) |
|--------|--------|-------------|
| 6200 | 400mm | 390 x 71 |
| 6200A | 600mm | 590 x 71 |
| 6200B | 800mm | 790 x 71 |
| 6200C | 1000mm | 990 x 71 |
| 6200D | 1200mm | 1190 x 71 |
| 6200E | 1500mm | 1490 x 71 |



Wall Mount Bracket

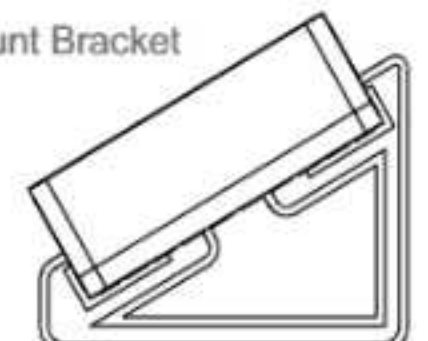
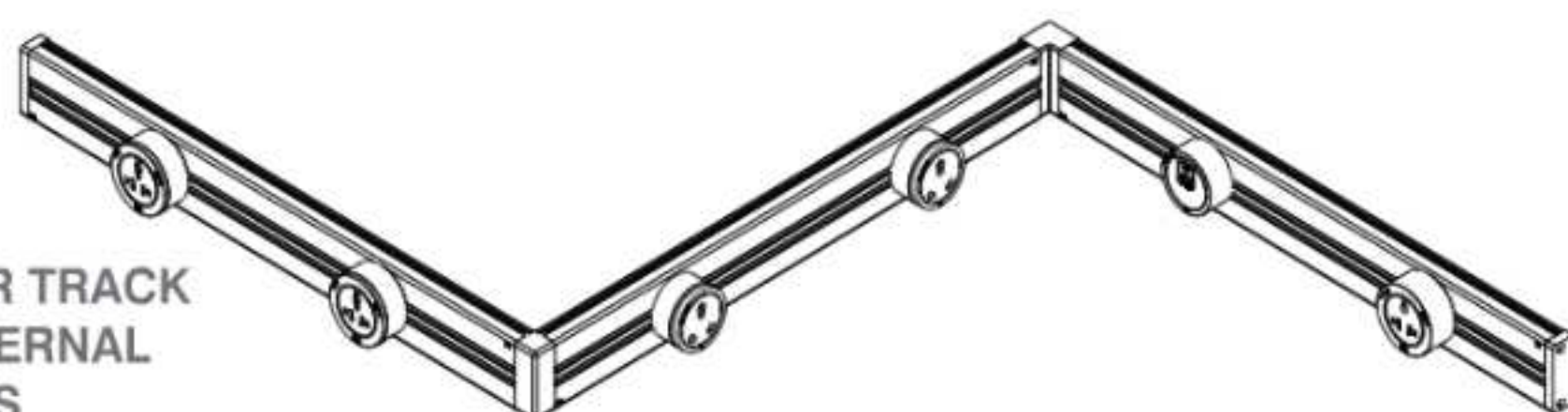


Table Mount Bracket

Wall to Wall Power Track



WALL TO WALL POWER TRACK WITH INTERNAL & EXTERNAL CORNER CAPS & LINKS

Premium Series LED Adaptors



Triple Safety

The MX Power track is an open circuit that can only be closed with an adaptor which matches up in depth, height and length. while a solid state shield prevents any current leakage.

High Temperature Flame Retardant FR-PC Material

Adaptor shell apots PC high-efficiency flame retardant casing, preventing accidents



MX 6021
6 Amperes
Indian Standard
BIS Approved



MX 6015
6/10/13 Amperes
IN/EU/BS



MX 6016
6/13 Amperes
IN/BS



MX 6017
13 Amperes
BS



MX 6018
15 Amperes
USA-JPN



MX 6012
MX Classic
GERMAN SCHUKO
Socket 16Amps



WiFi
MX 6022 WIFI
6/13 Amperes
IN/EU/BS



WiFi
MX 6023 WIFI
6/13 Amperes
IN/BS



WiFi
MX 6024 WIFI
6 Amperes
Indian Standard



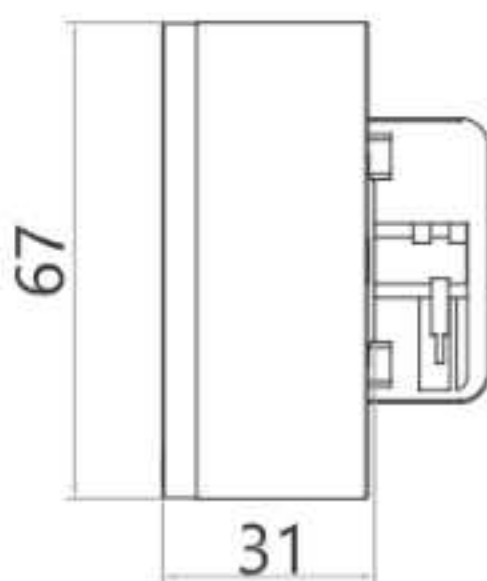
MX 6025
6/16 Amperes
Indian Standard
BIS Approved



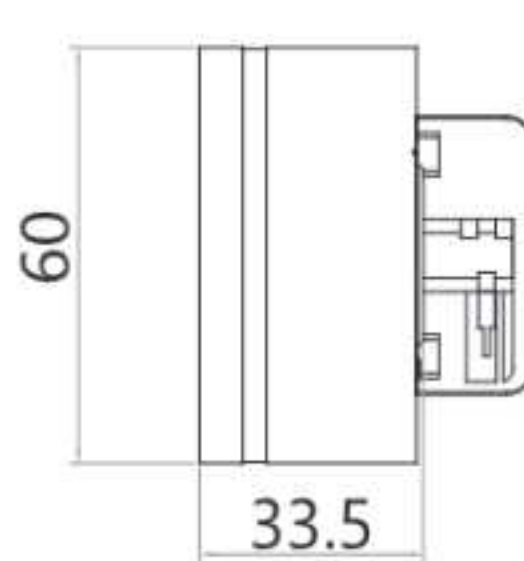
MX 6026
C & A 20 Watts
USB Charger



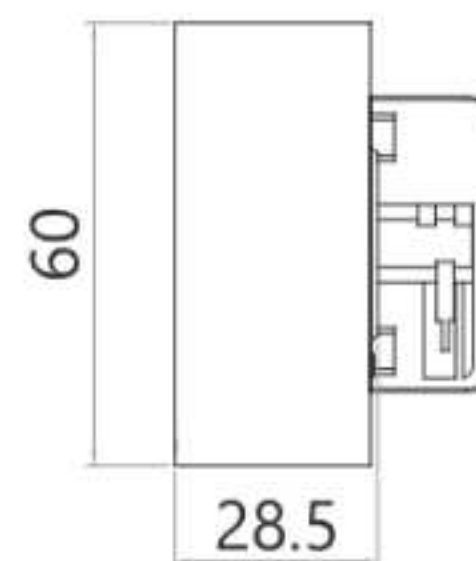
MX 6027
C & A 30 Watts
USB PD Charger



Premium Adaptors
Blue LED



Classic Indian Adaptors
6/16A



Classic Compact Adaptors

Classic Series Adaptors

MX 6001
6/10/13 Amperes
IN/EU/BS



MX 6002
6/13 Amperes
IN/BS



MX 6003
6/16 Amperes
India
BIS Approved



MX 6005
13 Amperes
BS



MX 6006
5V, 2400 mA
USB Charger



MX 6007-20W
MX 6008-30W
USB C+A
Fast Charger



MX 6011
16 Amperes
Plug With Fuse



MULTIMEDIA CONNECTOR



MX 6031
Cat 3 Voice



MX 6032
USB 3.0



MX 6033
USB 2.0



MX 6034
VGA 15 Pin



MX 6035
Aux / Stereo
3.5 mm



MX 6037
Display Port



MX 6039
C+A 18W
(3.1Amp)



MX 6041
Cat-6 / CAT-6A
Data



MX 6042
HDMI (4K)



MX 6043
USB Type C



MX 6045
USB Charger
A + C PD 30W
(5AMP)



MX 6045A
USB Charger
A + C PD 35W
(5AMP) GaN Support



MX 6045B
USB Charger
C + C PD 68W
GaN Support



MX 6046
C+A PD 30W
Digital Display



MX 6047
Blank Plate



MX 6048
Access
Door Switch



MX 6049
FLUSH
ILLUMINATED
6 Amperes
ON/OFF Switch



MX 6049A
FLUSH
ILLUMINATED
16 Amperes
ON/OFF Switch



MX 6050
WIRELESS PCB 15W



Modular Power Tracks

MX NUEVO S68

UNDER DESK POWER & DATA TRACK

The MX NUEVO S68 Under Desk Modular Track Series offers an ideal solution for power and data installations, providing easy access to power beneath the workstation and offering convenience for any under-desk application. Its modular design, including customizable to any plug or multimedia socket configuration, and adjustable to fit specific length requirements. Suitable for various applications, including research facilities, libraries, laboratories, workshop desks, and more.

SPECIFICATION

Electrical

Rated Voltage : 250V— Single-phase
 Rated Current : 32 Amps (Max)
 USB Charging: 2 A Type Ports, 5V-2400mA (Side Caps)
 Frequency : 50 / 60Hz
 Terminal Capacity : 1.25 mm² - 4 mm²

Material

Track Housing : Anodized Aluminum
 End Cap : Polycarbonate
 Busbar Carrier : Polycarbonate
 Conductor : Phosphor Bronze (Copper)
 Finish : Black & Silver

Size

Standard Length : 400mm-1200mm (refer table)
 Customization : Lengths & configuration available upon request



Mounting Features

MX Nuevo S68

| MX No. | Sizes | Dimensions |
|--------|--------|------------|
| 6303 | 400mm | 68 x 68 |
| 6303 A | 500mm | 68 x 68 |
| 6303 B | 600mm | 68 x 68 |
| 6303 C | 800mm | 68 x 68 |
| 6303 D | 900mm | 68 x 68 |
| 6303 E | 1000mm | 68 x 68 |
| 6303 F | 1200mm | 68 x 68 |



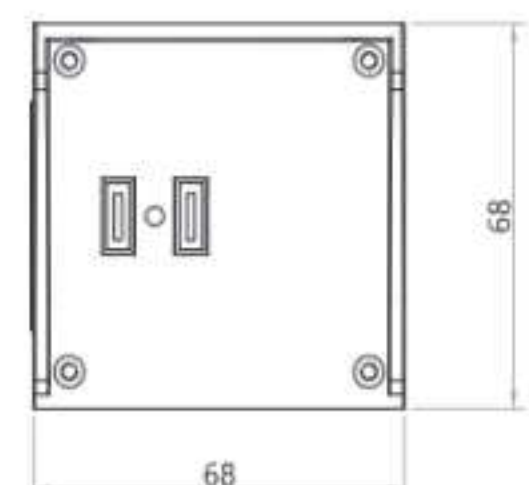
On Wall



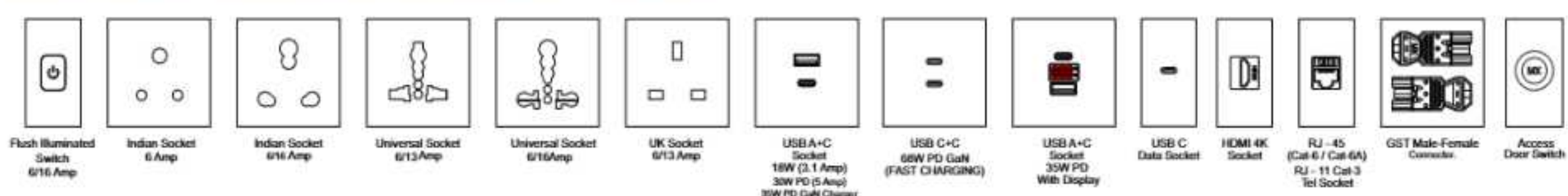
Above Desk



Under Desk



Customized Multimedia & Sockets on Request :





Modular Power Tracks

MX NUEVO D88

DESKTOP POWER & DATA TRACK

The MX D88 Desktop Modular Track Series presents an ideal solution for power and data installations, providing convenient access to power from the above tables and catering to all desktop applications. The end cap with USB charging ensures effortless connectivity and efficient space management. Desktop Modular Track is an ideal choice for workspace environments. They stand as the most popular solution for streamlined power and cable management, adjustable to fit specific length requirements

SPECIFICATION

Electrical

Rated Voltage : 250V— Single-phase

Rated Current : 32 Amps (Max)

USB Charging: 2 A Type Ports, 5V-2400mA (Side Caps)

Frequency : 50 / 60Hz

Terminal Capacity : 1.25 mm² - 4 mm²

Material

Track Housing : Anodized Aluminum

End Cap : Polycarbonate

Busbar Carrier : Polycarbonate

Conductor : Phosphor Bronze (Copper)

Finish : Black & Silver

Size

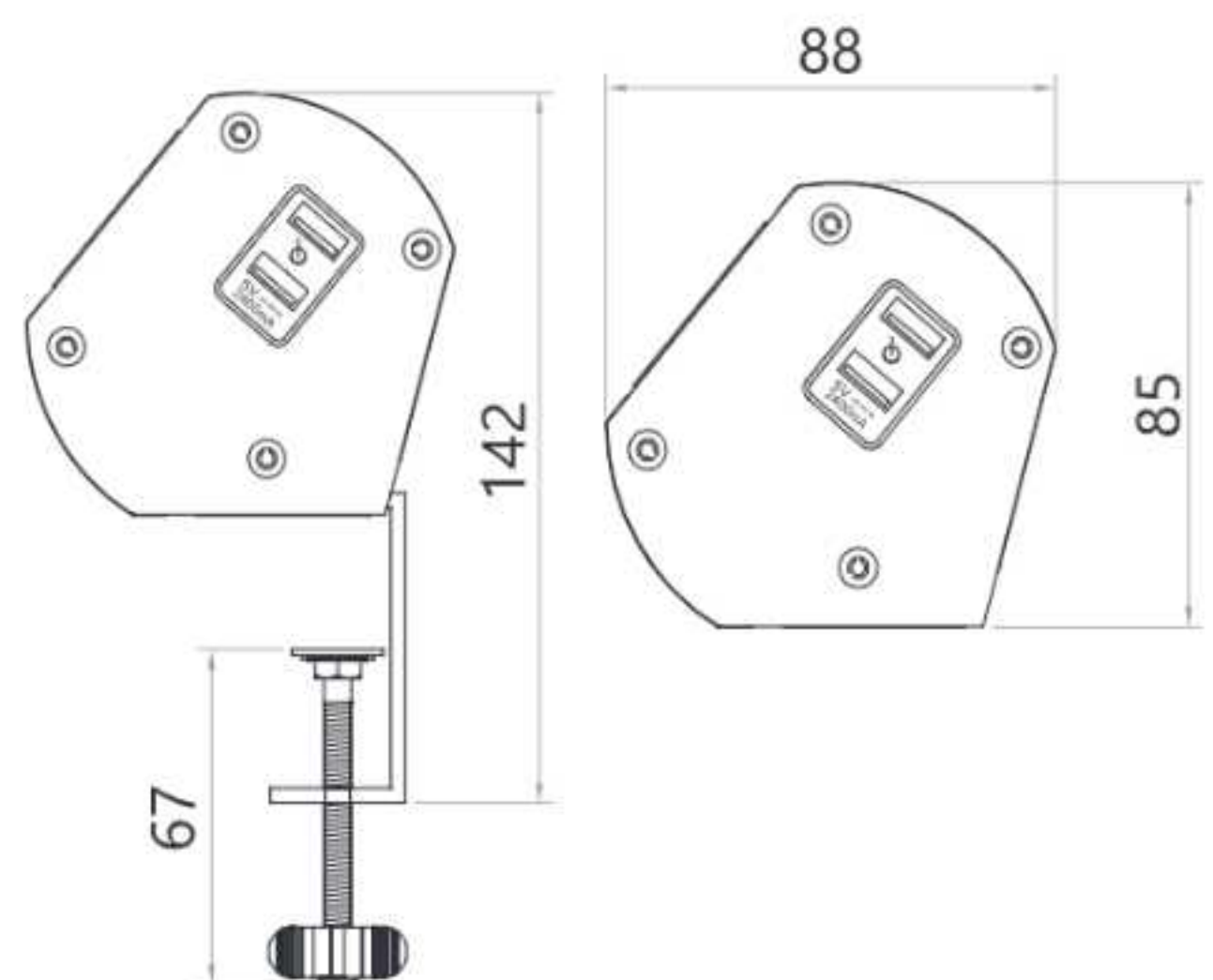
Standard Length : 400mm-1200mm (refer table)

Customization : Lengths & configuration available upon request

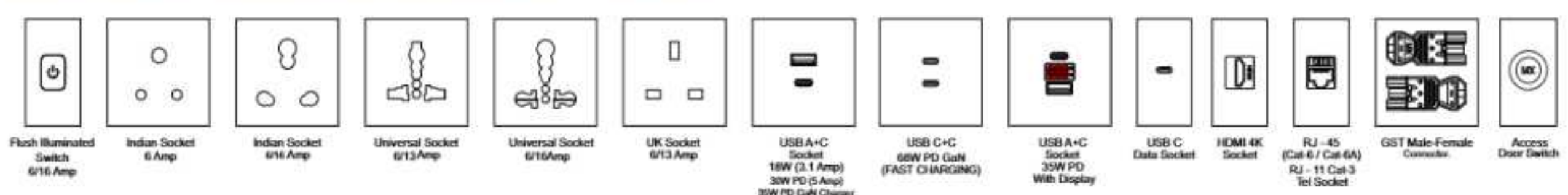


MX Nuevo D88

| MX No. | Sizes | Dimensions |
|--------|--------|------------|
| 6304 | 400mm | 88 x 85 |
| 6304 A | 500mm | 88 x 85 |
| 6304 B | 600mm | 88 x 85 |
| 6304 C | 800mm | 88 x 85 |
| 6304 D | 900mm | 88 x 85 |
| 6304 E | 1000mm | 88 x 85 |
| 6304 F | 1200mm | 88 x 85 |



Customized Multimedia & Sockets on Request :





www.mdrelectronics.com



MX Freestanding TOWER TRACK

Freestanding Tower Tracks provide a stable and convenient solution for sharing power in any space. Their flexible design allows them to seamlessly integrate into any environment, bringing power and USB charging to previously unpowered areas. Supporting a wide variety of international sockets and offering optional integrated USB-A, USB-C charging ports and wireless charging, the Tower Tracks is ideal for situations where power needs to be relocated, making it perfect for open spaces inside or in front of experience centers, living rooms, lounges, public buildings, concourses and breakout areas. Customizable to any plug or multimedia socket configuration and adjustable to fit specific length requirements.

SPECIFICATION

Electrical

Rated Voltage : 250V— Single-phase
 Rated Current : 16 Amperes (Max)
 USB Charging: 2 A Type Ports, 5V-2400mA
 USB Charging: Type C & A PD 30W
 Frequency : 50 / 60Hz

Size

Standard Track : 400mm
 Customization : Available upon request

Material

Profile Housing : Anodized Aluminum
 End Cap : Polycarbonate
 Busbar Carrier : Polycarbonate
 Conductor : Phosphor Bronze (Copper)
 Finish: Silver & Black



ONE WAY
 MX 6400 / MX 6401



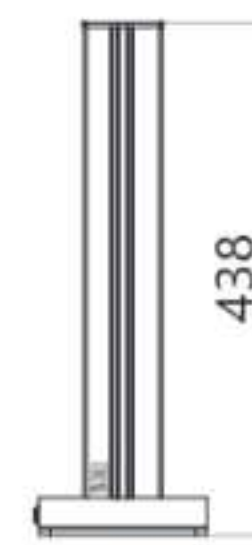
TWO WAY
 MX 6402 / MX 6403



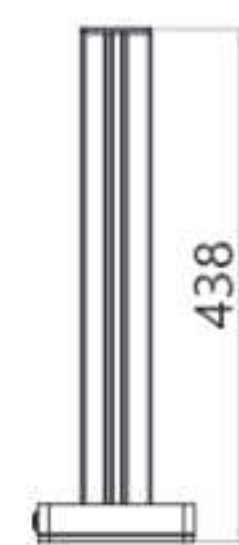
THREE WAY
 MX 6404 / MX 6405

MX FREESTANDING TOWER TRACK

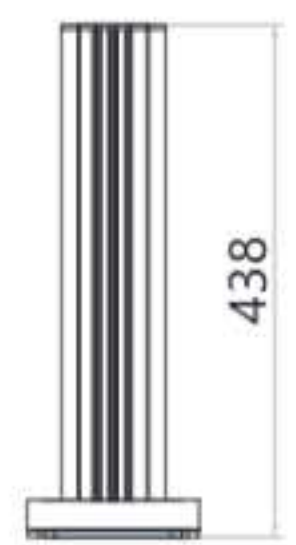
| MX No. | USB A | USB A & C | Dimensions |
|--------|-------|-----------|-----------------|
| 6400 | YES | -- | 438 x 150 x 140 |
| 6401 | -- | YES | 438 x 150 x 140 |
| 6402 | YES | -- | 438 x 150 x 140 |
| 6403 | -- | YES | 438 x 150 x 140 |
| 6404 | YES | -- | 438 x 150 x 140 |
| 6405 | -- | YES | 438 x 150 x 140 |



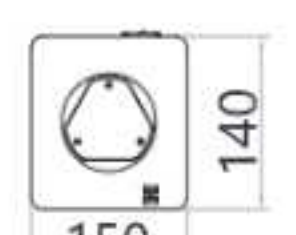
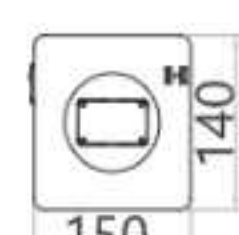
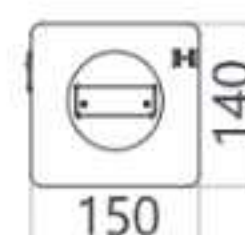
1 WAY



2 WAY



3 WAY



MX Freestanding POWER POLE

Freestanding Power Pole offer stable and convenient power-sharing in any space, featuring automatic power cut-off protection in case of a fall. This flexible solution seamlessly integrates power and USB charging into previously unpowered areas. With universal sockets, HDMI, Cat-6, and optional integrated USB ports, the Power Pole is perfect for open spaces, including experience centers, living rooms, lounges, public buildings, concourses, and breakout areas. Customizable to any plug or multimedia socket configuration and adjustable to fit specific length requirements.

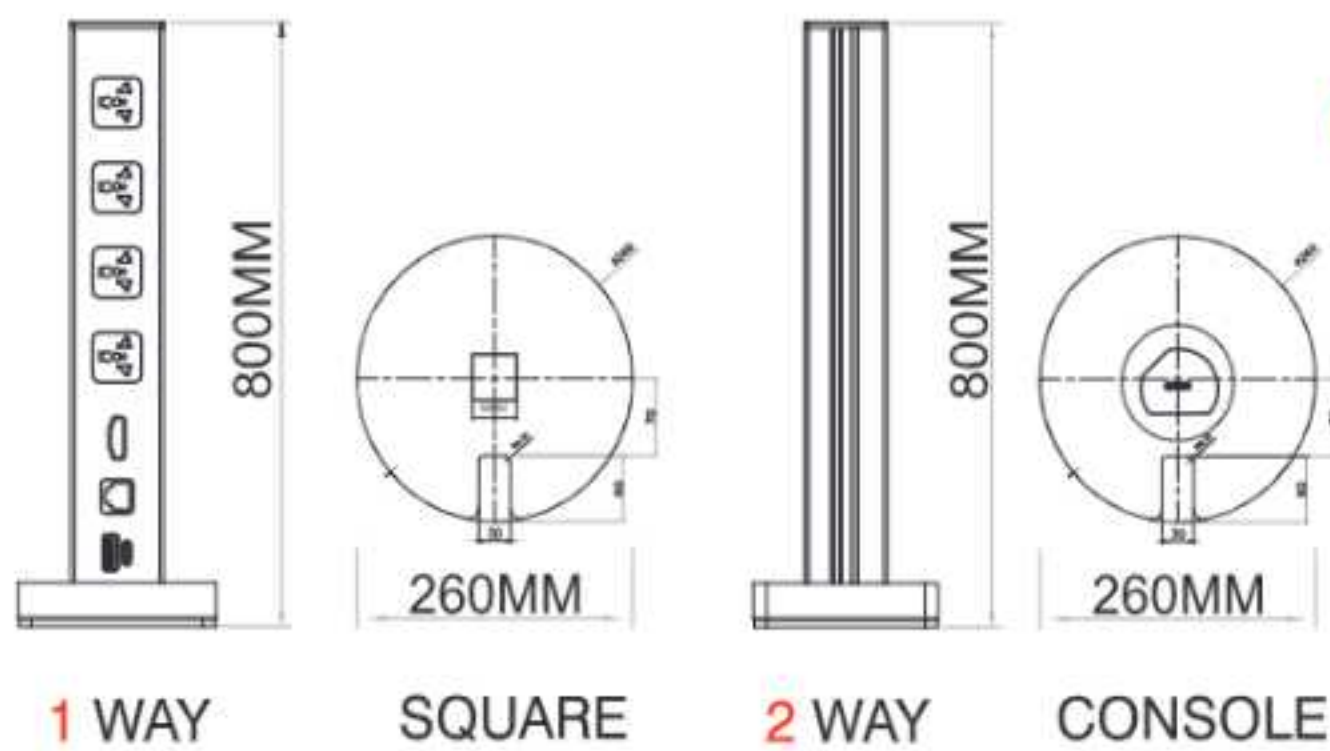
SPECIFICATION

Electrical

- Rated Voltage : 250V— Single-phase
 - Rated Current : 32 Amps (Max) & 6/16 Amps (Max)
 - Wireless Charger : 15 Watts
 - Frequency : 50 / 60 Hz
 - 1 USB A + 1 USB C : 30W PD Fast Charging
 - 1 USB A + 1 USB C : 30W PD Fast Charging with Voltage Display
 - RJ-45 : CAT-6
 - Port : HDMI
- ### Size
- Standard Track : 400mm
 - Customization : Available upon request

Material

- Profile Housing : Anodized Aluminum, ABS, FRP, GRP (Flame retardant)
- Conductor : Phosphor Bronze (Copper)
- End Cap & Bus bar Carrier: Polycarbonate
- Finish: Silver - White - Black



ONE WAY SQUARE
 6406 (Power Pole)
 6407 (Power Pole)
 6408 (Power Pole)
 6409 (Power Pole)

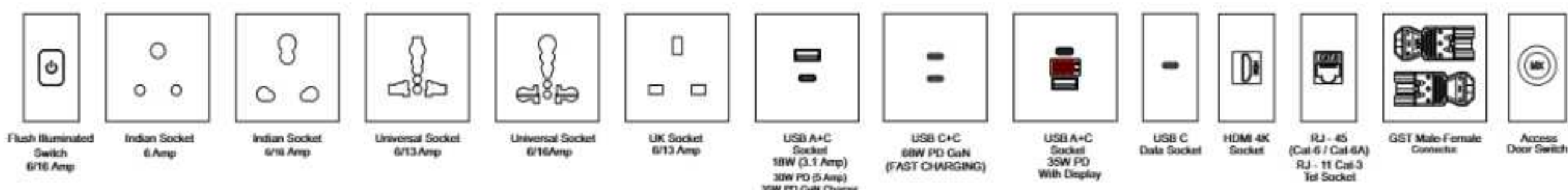
ONE WAY CONSOLE
 6410 (Power Pole)
 6411 (Power Pole)
 6412 (Power Pole)
 6413 (Power Pole)



MX FREESTANDING POWER POLE

| MX No. | Universal Socket 6-13A | Power Track | Switch 6 A | USB A & C | USB A & C With Voltage Display | CAT 6 | HDMI (4K) | Dimensions in MM |
|-----------------|------------------------|-------------|------------|-----------|--------------------------------|-------|-----------|------------------|
| 6406 Power Pole | 04 | - | 1 | Yes | - | Yes | Yes | 800 x 260 |
| 6407 Power Pole | 04 | - | 1 | - | Yes | Yes | Yes | 800 x 260 |
| 6408 Power Pole | - | Yes | - | Yes | - | Yes | Yes | 800 x 260 |
| 6409 Power Pole | - | Yes | - | - | Yes | Yes | Yes | 800 x 260 |
| 6410 Power Pole | 04 | - | 1 | Yes | -- | Yes | Yes | 800 x 260 |
| 6411 Power Pole | 04 | - | 1 | - | Yes | Yes | Yes | 800 x 260 |
| 6412 Power Pole | - | Yes | - | Yes | - | Yes | Yes | 800 x 260 |
| 6413 Power Pole | - | Yes | - | -- | Yes | Yes | Yes | 800 x 260 |
| 6414 Power Pole | -- | Yes | 1 | Yes | -- | -- | -- | 800 x 260 |

Customized Multimedia & Sockets on Request :





Vertical Power and Data Pole Floor to Ceiling

MX Vertical Power and Data Pole Floor to Ceiling. Protects cable running vertically. Maintenance a neat & clean look in your office. Its rigid cable protection unique profile. Compact & Sleek Design. The ultimate power pole is to route cables from the ceiling to the floor or from the ceiling to any table or counter top. Comes in BLACK & SILVER Finish. Our MX Power Pole can be any customized length from 2.5mtrs to 4mtrs. Just PLUG-n-PLAY, with all the supported cables supplied for a plug-n-play installation. We have multiple modules as per Customer Requirement.

SPECIFICATION

Rated Voltage : 250 Volts — Single-phase

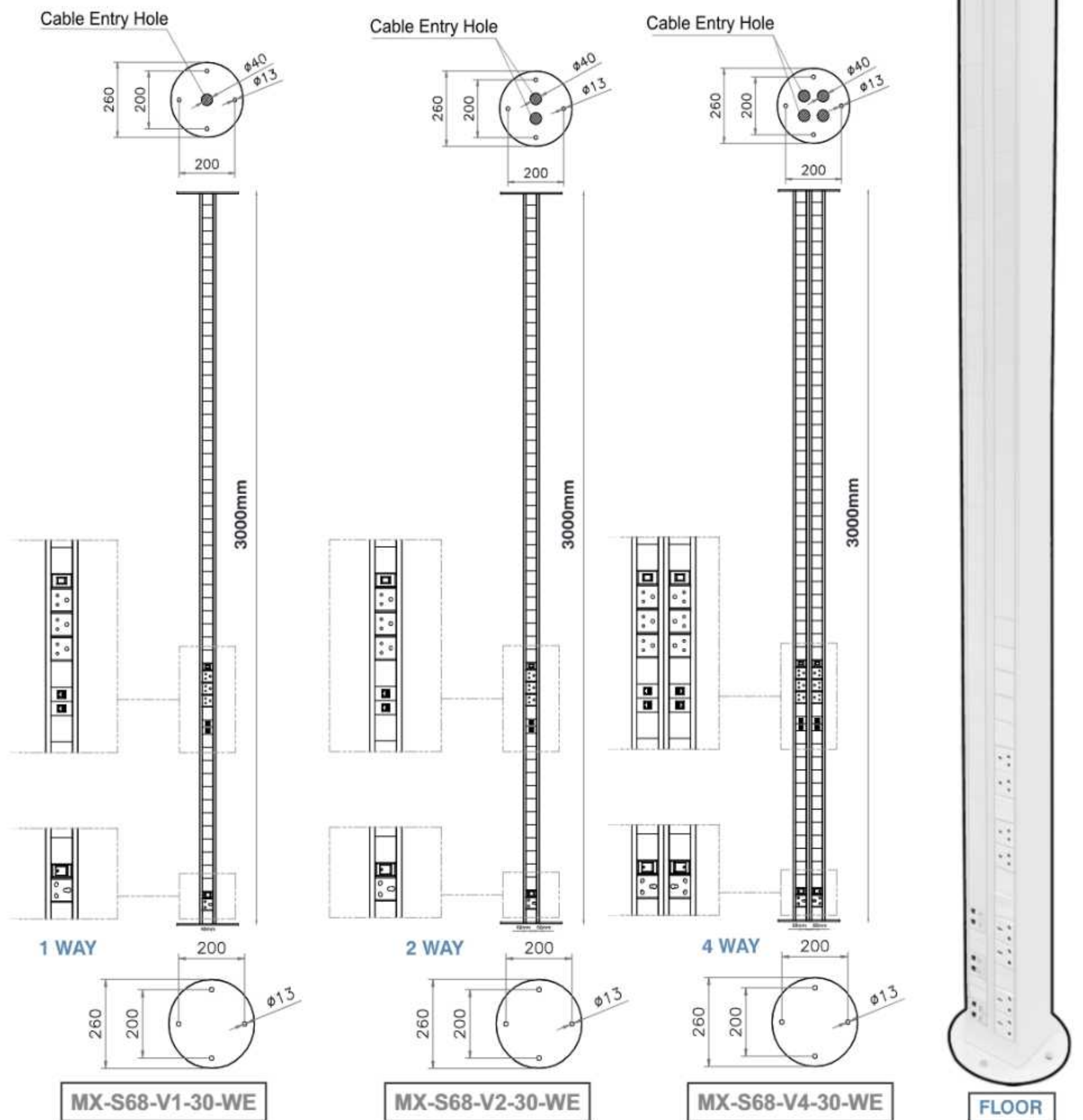
Rated Current : 6 -16 Amperes

Standard Finish: Black & Silver

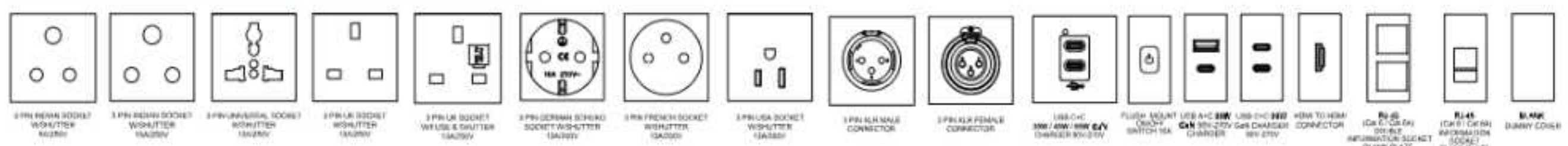
Material : Aluminum, FRP, GRP (flame retardant)

Customization : Length Upon Request (1 WAY, 2 WAY & 4 WAY)

CEILING



Customized Multimedia & Sockets on Request : (45x45mm & 22.5x45mm)







Desktop Console

The Desktop Consoles redefine power and cable management systems with their unmatched speed of installation, strength, versatility, aesthetics, and configurability. Featuring easy connectivity and space management, their end cap provides built-in USB charging for convenient access. Available in BIS standard Indian Socket (6 & 16 Amperes) with USB A 3.0, USB A + C, & USB C charging sockets, the Desktop Consoles are an ideal choice for workspace environments. They stand as the most popular solution for streamlined power and cable management, customizable to any plug or multimedia socket configuration, and adjustable to fit specific length requirements.

SPECIFICATION

Electrical

Rated Voltage : 250V— Single-phase

Rated Current : 6-16 amps (Max)

USB Charger: 2 type A Ports 5V, 2400mA (Side Cap)

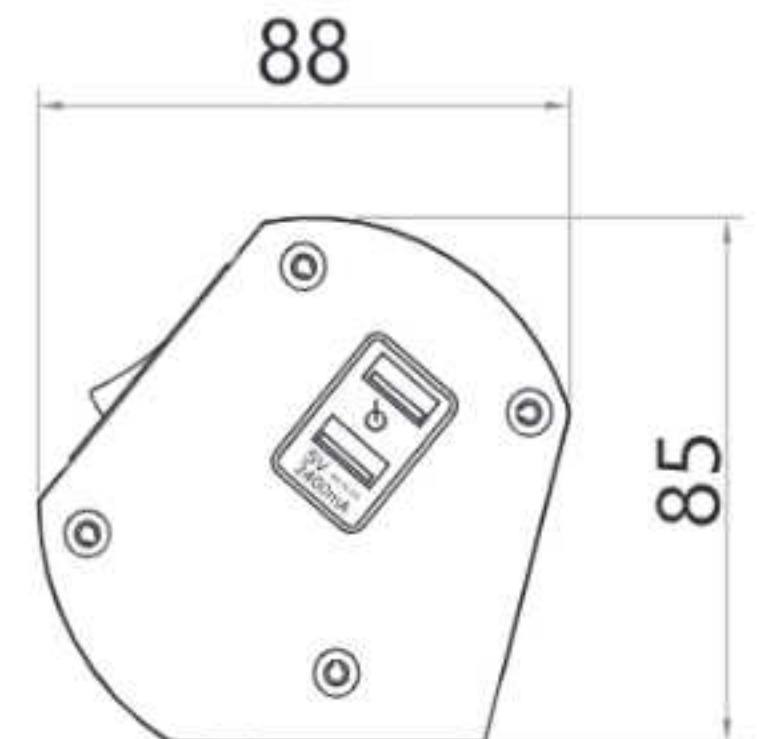
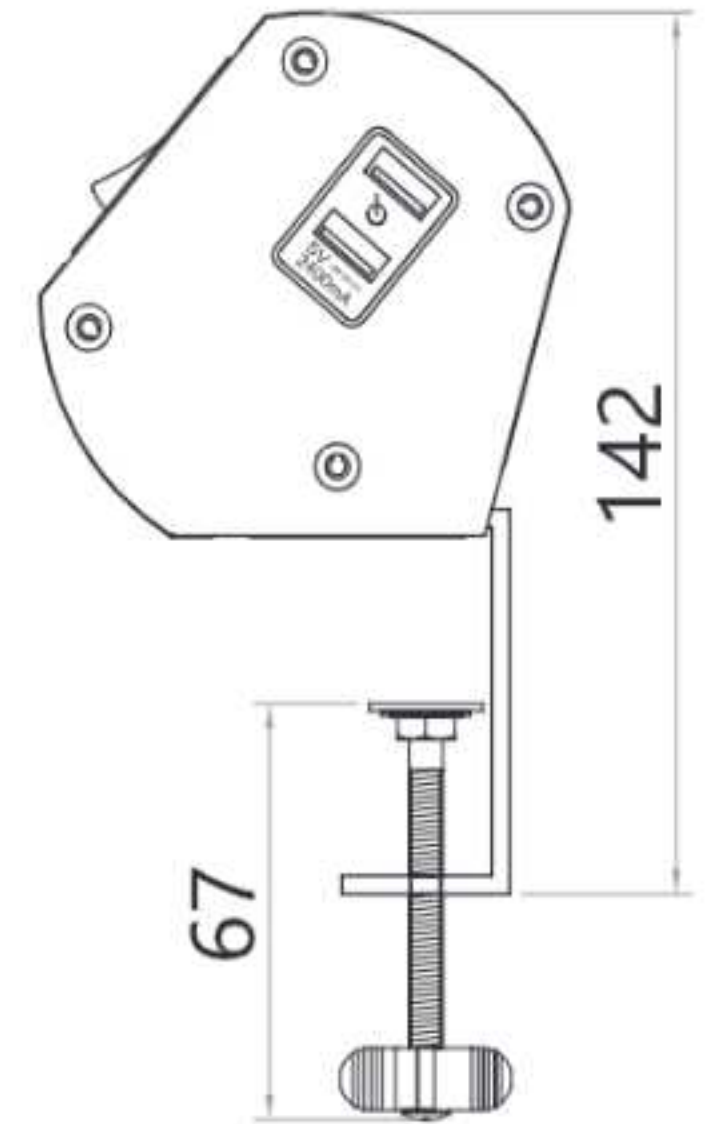
Finish: Silver - Black

Material : Aluminum, ABS, FRP, GRP (flame retardant)

Wiring : Pre -Wired 300mm Cable With Screwless Connector

Standard Pack : C type mounting clamps with fastening key.

Customization : Upon Request



Key Features :

| | | | | |
|---|--|---|--|---------------------------|
| <p>PD Qualcomm Fast Charging for tablets & laptop</p> | <p>Customizable Configuration & Mounting's</p> | <p>Can be used above desk & on wall</p> | <p>USB Charging on End Cap</p> | <p>Modular Design</p> |
|---|--|---|--|---------------------------|

Customized Multimedia & Sockets on Request :

| | | | | | | | | | | | | | |
|--------------------------------------|------------------------|---------------------------|------------------------------|------------------------------|-----------------------|--|--|---|----------------------|-------------------|--|------------------------------|-----------------------|
| | | | | | | | | | | | | | |
| Flush Illuminated Switch 6/16 Amp | Indian Socket 6 Amp | Indian Socket 6/16 Amp | Universal Socket 6/13 Amp | Universal Socket 6/16 Amp | UK Socket 6/13 Amp | USB A+C Socket 18W (3.1 Amp) 30W PD (5 Amp) 35W PD GaN Charger | USB C+C 60W PD GaN (FAST CHARGING) | USB A+C Socket 35W PD With Display | USB C Data Socket | HDMI 4K Socket | RJ - 45 (Cat-6 / Cat-5A) RJ - 11 Cat-3 Tel Socket | GST Male-Female Connector | Access Door Switch |

DESKTOP CONSOLES

| MX No. | Universal Socket 6/13 Amperes | Universal Socket 6/16 Amperes | Switch 16/16 Amperes | USB A 3.0 USB C 65 Watts | USB A 3.0 USB C 95 Watts | USB A 5V 2400mA Side Cap | Dimensions in MM |
|--------|-------------------------------|-------------------------------|----------------------|--------------------------|--------------------------|--------------------------|------------------|
| 4173 | 2 | | 6 Amperes | | | 2 | 152 x 88 x 85 |
| 4174 | 3 | | 6 Amperes | | | 2 | 200 x 88 x 85 |
| 4175 | 4 | | 6 Amperes | | | 2 | 246 x 88 x 85 |
| 4176 | 6 | | 6 Amperes | | | 2 | 340 x 88 x 85 |
| 4177 | | 2 | 16 Amperes | | | 2 | 152 x 88 x 85 |
| 4178 | | 3 | 16 Amperes | | | 2 | 200 x 88 x 85 |
| 4179 | | 4 | 16 Amperes | | | 2 | 246 x 88 x 85 |
| 4180 | | 6 | 6 Amperes | | | 2 | 340 x 88 x 85 |
| 4181 | 2 | | 6 Amperes | 1 | | 2 | 200 x 88 x 85 |
| 4182 | 3 | | 6 Amperes | 1 | | 2 | 246 x 88 x 85 |
| 4183 | 4 | | 6 Amperes | 1 | | 2 | 394 x 88 x 85 |
| 4184 | 6 | | 6 Amperes | 1 | | 2 | 388 x 88 x 85 |
| 4185 | 2 | | 6 Amperes | | 1 | 2 | 205 x 88 x 85 |
| 4186 | 3 | | 6 Amperes | | 1 | 2 | 251 x 88 x 85 |
| 4187 | 4 | | 6 Amperes | | 1 | 2 | 299 x 88 x 85 |
| 4188 | 6 | | 6 Amperes | | 1 | 2 | 393 x 88 x 85 |
| 4189 | | 2 | 16 Amperes | 1 | | 2 | 200 x 88 x 85 |
| 4190 | | 3 | 16 Amperes | 1 | | 2 | 246 x 88 x 85 |
| 4191 | | 4 | 16 Amperes | 1 | | 2 | 394 x 88 x 85 |
| 4192 | | 6 | 16 Amperes | 1 | | 2 | 388 x 88 x 85 |
| 4193 | | 2 | 16 Amperes | | 1 | 2 | 205 x 88 x 85 |
| 4194 | | 3 | 16 Amperes | | 1 | 2 | 251 x 88 x 85 |
| 4195 | | 4 | 16 Amperes | | 1 | 2 | 299 x 88 x 85 |
| 4196 | | 6 | 16 Amperes | | 1 | 2 | 393 x 88 x 85 |

DESKTOP CONSOLES ROTATABLE SOCKETS 180°

| MX No. | Universal Socket 6/13 Amperes | Switch 6 Amperes | USB A 3.0 USB C 65 Watts | USB A 3.0 USB C 95 Watts | USB A 5V 2400mA Side Cap | Dimensions in MM |
|--------|-------------------------------|------------------|--------------------------|--------------------------|--------------------------|------------------|
| 4197 | 2 | 6 Amperes | | | 2 | 184 x 88 x 85 |
| 4198 | 3 | 6 Amperes | | | 2 | 234 x 88 x 85 |
| 4199 | 4 | 6 Amperes | | | 2 | 284 x 88 x 85 |
| 4200 | 6 | 6 Amperes | | | 2 | 384 x 88 x 85 |
| 4201 | 2 | 6 Amperes | 1 | | 2 | 232 x 88 x 85 |
| 4202 | 3 | 6 Amperes | 1 | | 2 | 282 x 88 x 85 |
| 4203 | 4 | 6 Amperes | 1 | | 2 | 332 x 88 x 85 |
| 4204 | 6 | 6 Amperes | 1 | | 2 | 432 x 88 x 85 |
| 4205 | 2 | 6 Amperes | | 1 | 2 | 236 x 88 x 85 |
| 4206 | 3 | 6 Amperes | | 1 | 2 | 286 x 88 x 85 |
| 4207 | 4 | 6 Amperes | | 1 | 2 | 336 x 88 x 85 |
| 4208 | 6 | 6 Amperes | | 1 | 2 | 436 x 88 x 85 |





Under Desk Console

The Under Desk Consoles revolutionize power management with their unparalleled features: rapid installation, exceptional strength, unmatched versatility, sleek aesthetics, and remarkable configurability. The convenient end-cap with built-in USB charging ensures easy access and efficient space utilization. Available in BIS standard Indian Socket (6 & 16 Amperes) with USB A 3.0, USB A + C, & USB C charging sockets, the Under Desk Consoles are an ideal choice for workspace environments. They stand as the most popular solution for streamlined power and cable management, customizable to any plug or multimedia socket configuration, and adjustable to fit specific length requirements.

SPECIFICATION

Electrical

Rated Voltage : 250V— Single-phase

Rated Current : 6-16 amps (Max)

USB Charger: 2 type A Ports 5V, 2400mA (Side Cap)

Finish: Silver & Black Anodized

Material : Aluminum, ABS, FRP, GRP (flame retardant)

Wiring : Pre -Wired 300mm Cable With Screwless Connector

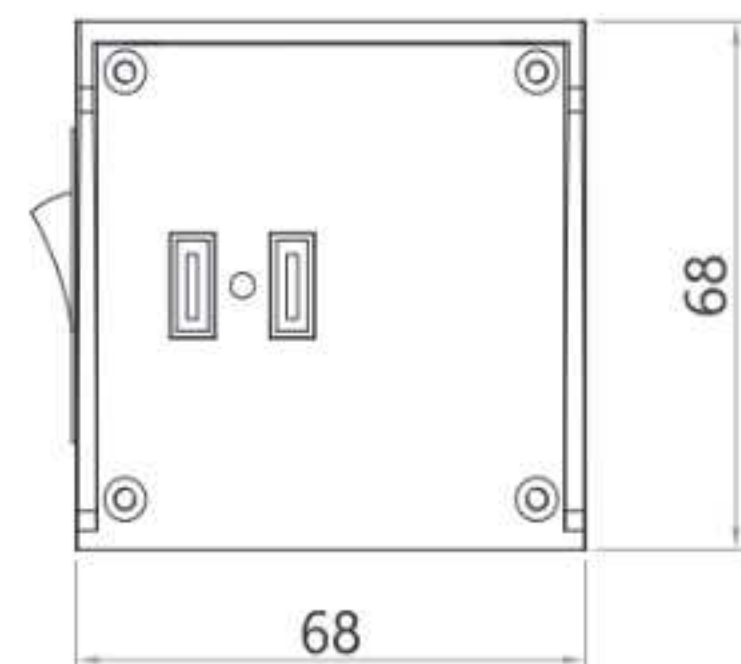
Customization : Upon Request



Under Desk

Key Features :

| | | | | |
|---|--|---|--------------------------------|-----------------------|
| <p>PD Qualcomm Fast Charging for tablets & laptop</p> | <p>Customizable Configuration & Mounting's</p> | <p>Can be used above desk & on wall</p> | <p>USB Charging on End Cap</p> | <p>Modular Design</p> |
|---|--|---|--------------------------------|-----------------------|



Customized Multimedia & Sockets on Request :

| | | | | | | | | | | | | | | | |
|-----------------------------------|---------------------|------------------------|---------------------------|---------------------------|--------------------|--|------------------------------------|------------------------------------|-------------------|----------------|---|---------------------------|--------------------|--|--|
| | | | | | | | | | | | | | | | |
| Flush Illuminated Switch 6/16 Amp | Indian Socket 6 Amp | Indian Socket 6/16 Amp | Universal Socket 6/13 Amp | Universal Socket 6/16 Amp | UK Socket 6/13 Amp | USB A+C Socket 18W (3.1 Amp) 30W PD (5 Amp) 35W PD GaN Charger | USB C+C 68W PD GaN (FAST CHARGING) | USB A+C Socket 35W PD With Display | USB C Data Socket | HDMI 4K Socket | RJ - 45 (Cat-6 / Cat-6A) RJ - 11 Cat-3 Tel Socket | GST Male-Female Connector | Access Door Switch | | |

UNDER DESK CONSOLES

| MX No. | Universal Socket 6/ 13 Amperes | Universal Socket 6/16 Amperes | Switch | USB A 3.0 USB C 65 Watts | USB A 3.0 USB C 95 Watts | USB A 5V 2400mA Side Cap | Dimensions in MM |
|--------|--------------------------------------|-------------------------------------|------------|--------------------------------|--------------------------------|--------------------------------|---------------------|
| 6407 | 2 | | 6 Amperes | | | 2 | 235 x 68 x 68 |
| 6408 | 3 | | 6 Amperes | | | 2 | 285 x 68 x 68 |
| 6409 | 4 | | 6 Amperes | | | 2 | 335 x 68 x 68 |
| 6410 | 6 | | 6 Amperes | | | 2 | 435 x 68 x 68 |
| 6411 | | 2 | 16 Amperes | | | 2 | 235 x 68 x 68 |
| 6412 | | 3 | 16 Amperes | | | 2 | 285 x 68 x 68 |
| 6413 | | 4 | 16 Amperes | | | 2 | 335 x 68 x 68 |
| 6414 | | 6 | 16 Amperes | | | 2 | 435 x 68 x 68 |
| 6415 | 2 | | 6 Amperes | 1 | | 2 | 285 x 68 x 68 |
| 6416 | 3 | | 6 Amperes | 1 | | 2 | 335 x 68 x 68 |
| 6417 | 4 | | 6 Amperes | 1 | | 2 | 385 x 68 x 68 |
| 6418 | 6 | | 6 Amperes | 1 | | 2 | 485 x 68 x 68 |
| 6419 | 2 | | 6 Amperes | | 1 | 2 | 290 x 68 x 68 |
| 6420 | 3 | | 6 Amperes | | 1 | 2 | 340 x 68 x 68 |
| 6421 | 4 | | 6 Amperes | | 1 | 2 | 390 x 68 x 68 |
| 6422 | 6 | | 6 Amperes | | 1 | 2 | 490 x 68 x 68 |
| 6423 | | 2 | 16 Amperes | 1 | | 2 | 285 x 68 x 68 |
| 6424 | | 3 | 16 Amperes | 1 | | 2 | 335 x 68 x 68 |
| 6425 | | 4 | 16 Amperes | 1 | | 2 | 385 x 68 x 68 |
| 6426 | | 6 | 16 Amperes | 1 | | 2 | 485 x 68 x 68 |
| 6427 | | 2 | 16 Amperes | | 1 | 2 | 290 x 68 x 68 |
| 6428 | | 3 | 16 Amperes | | 1 | 2 | 340 x 68 x 68 |
| 6429 | | 4 | 16 Amperes | | 1 | 2 | 390 x 68 x 68 |
| 6430 | | 6 | 16 Amperes | | 1 | 2 | 490 x 68 x 68 |

UNDER DESK CONSOLES ROTATABLE SOCKETS 180°

| MX No. | Universal Socket 6/13 Amperes | Switch | USB A 3.0 USB C 65 Watts | USB A 3.0 USB C 95 Watts | USB A 5V 2400mA Side Cap | Dimensions in MM |
|--------|-------------------------------------|-----------|--------------------------------|--------------------------------|--------------------------------|---------------------|
| 6431 | 2 | 6 Amperes | | | 2 | 270 x 68 x 68 |
| 6432 | 3 | 6 Amperes | | | 2 | 320 x 68 x 68 |
| 6433 | 4 | 6 Amperes | | | 2 | 370 x 68 x 68 |
| 6434 | 6 | 6 Amperes | | | 2 | 470 x 68 x 68 |
| 6435 | 2 | 6 Amperes | 1 | | 2 | 350 x 68 x 68 |
| 6436 | 3 | 6 Amperes | 1 | | 2 | 400 x 68 x 68 |
| 6437 | 4 | 6 Amperes | 1 | | 2 | 450 x 68 x 68 |
| 6438 | 6 | 6 Amperes | 1 | | 2 | 550 x 68 x 68 |
| 6439 | 2 | 6 Amperes | | 1 | 2 | 355 x 68 x 68 |
| 6440 | 3 | 6 Amperes | | 1 | 2 | 405 x 68 x 68 |
| 6441 | 4 | 6 Amperes | | 1 | 2 | 455 x 68 x 68 |
| 6442 | 6 | 6 Amperes | | 1 | 2 | 555 x 68 x 68 |

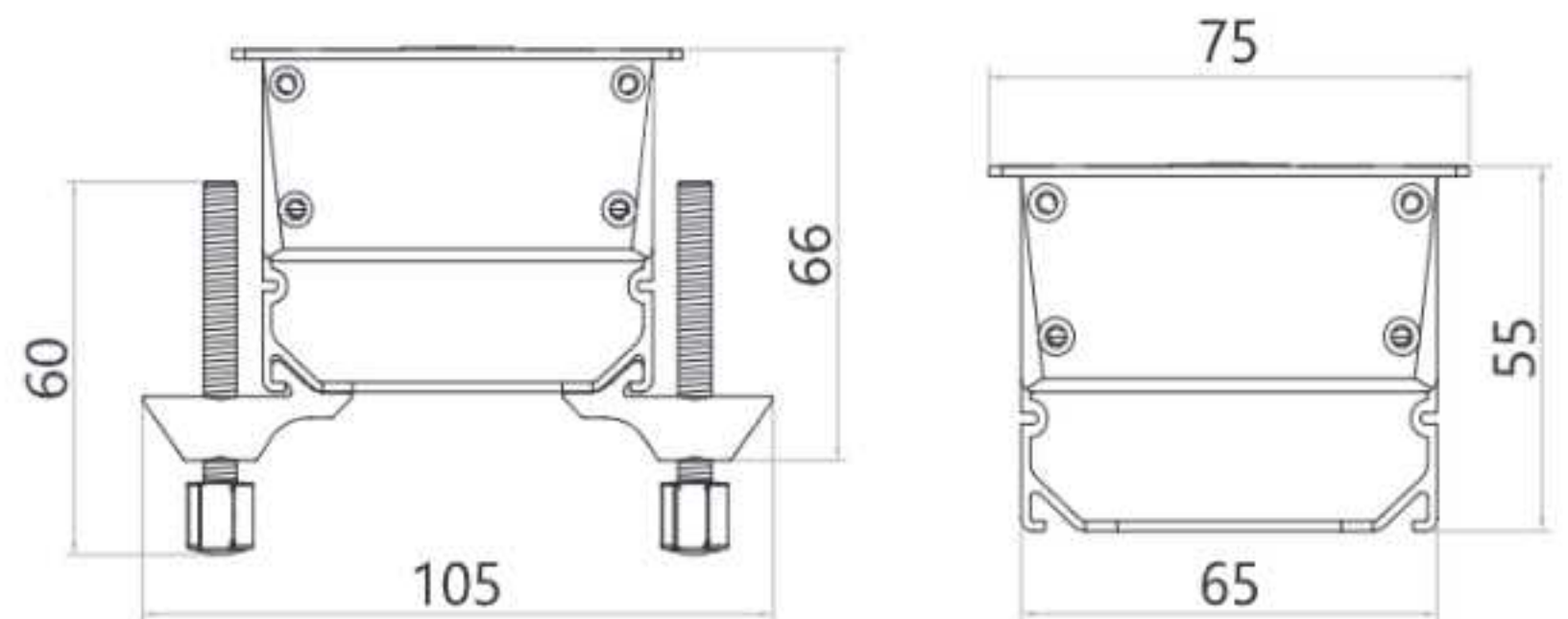




MX NUEVO C55

IN-SURFACE POWER DISTRIBUTION UNIT WITH POWER & DATA

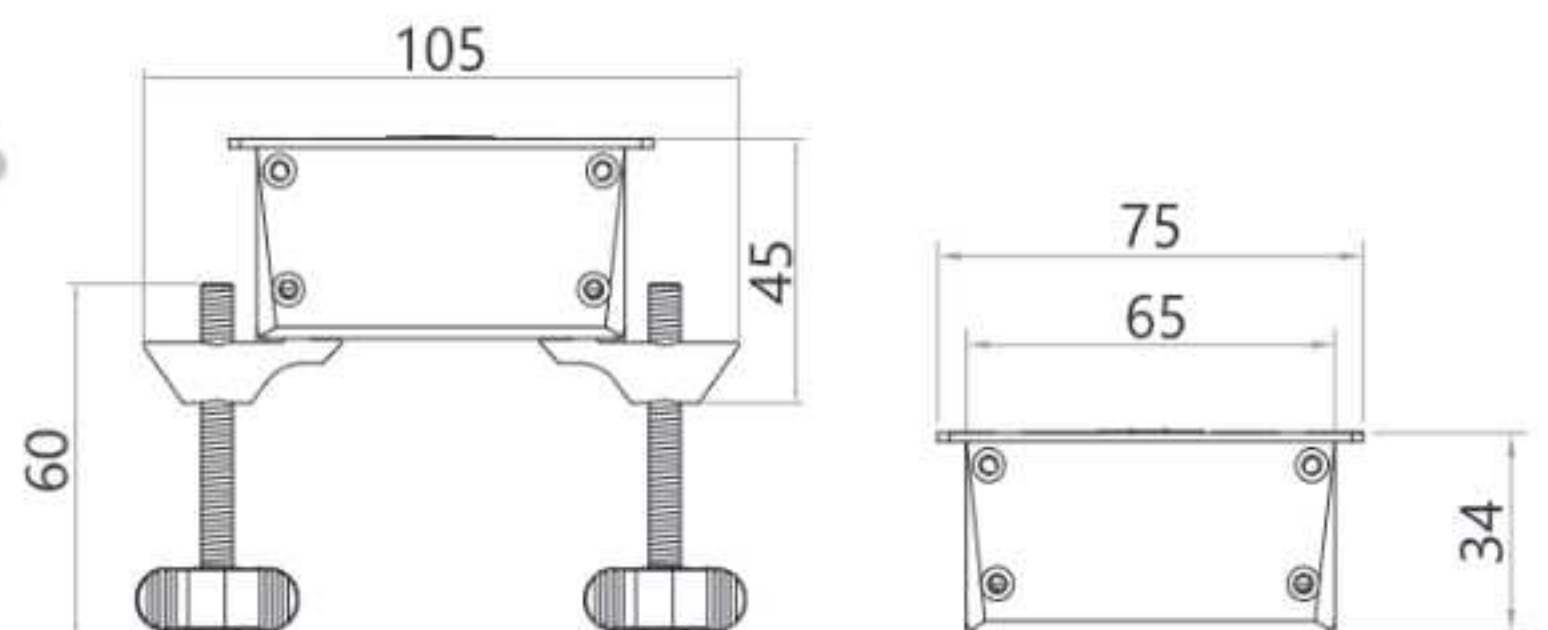
Engineered for effortless recessed installation, the C55 In-surface power distribution unit series seamlessly integrates power, data, and multimedia connectivity within a dedicated cable management compartment. Its sleek aluminum alloy housing makes it suitable for a variety of workstations and executive tables, making it a highly recommended solution for office and system furniture OEMs.



MX NUEVO C34

IN-SURFACE SLEEK POWER DISTRIBUTION UNIT

MX C34 In-surface power distribution unit series is engineered for simple recessed mount installation to cater power, data and multimedia in a low depth profile. A perfect solution for recessed power & data installations allowing easy access to power for tables, desk, and partitions. Plastically sleek and perfect to go with the home & office workspace.



SPECIFICATION

Electrical

Rated Voltage : 250v — Single - phase

Rated Current : 6/16 Amperes (Max)

1USB A + 1USB C : 30W PD Fast Charging

1USB A + 1USB C : 30W PD Fast Charging with Voltage Display

RJ-45 : CAT -6 / CAT 6 A

Port : HDMI 4K

Finish : Silver - Black

Wiring : Pre -Wired 300mm Cable With Screwless Connector

Material : Aluminum, ABS, FRP, GRP(Flame retardant)

Conductor : 100% Copper Contacts Plated

Size Standard length : 2/3/4 & 6 Way

Customization : Upon Request

Key Features :



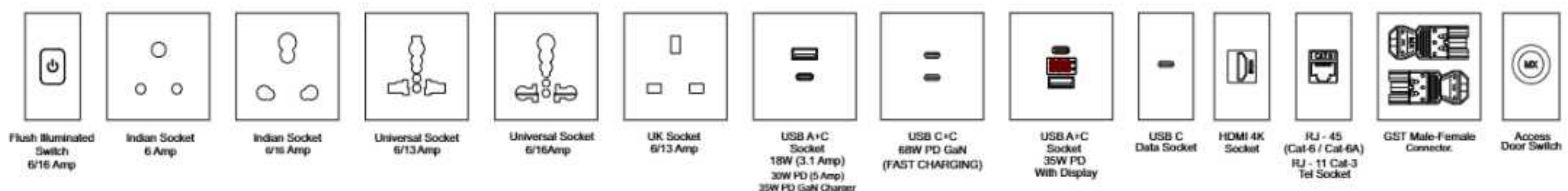
MX NUEVO C55

| MX No. | Universal Socket 6/13 Amperes | Universal Socket 6-16 Amperes | Switch | USB A & C | USB A & C With Voltage Display | CAT 6 | HDMI | Dimensions Cut Size |
|--------|-------------------------------|-------------------------------|------------|-----------|--------------------------------|-------|------|---------------------|
| 7031 | 02 | | 6 Amperes | Yes | | Yes | Yes | 235 x 67 x 55 |
| 7032 | 03 | | 6 Amperes | Yes | | Yes | Yes | 290 x 67 x 55 |
| 7033 | 04 | | 6 Amperes | Yes | | Yes | Yes | 345 x 67 x 55 |
| 7034 | 06 | | 6 Amperes | Yes | | Yes | Yes | 424 x 67 x 55 |
| 7035 | | 02 | 16 Amperes | Yes | | Yes | Yes | 235 x 67 x 55 |
| 7036 | | 03 | 16 Amperes | Yes | | Yes | Yes | 290 x 67 x 55 |
| 7037 | | 04 | 16 Amperes | Yes | | Yes | Yes | 344 x 67 x 55 |
| 7038 | | 06 | 16 Amperes | Yes | | Yes | Yes | 424 x 67 x 55 |
| 7039 | 02 | | 6 Amperes | | Yes | Yes | Yes | 260 x 67 x 55 |
| 7040 | 03 | | 6 Amperes | | Yes | Yes | Yes | 315 x 67 x 55 |
| 7041 | 04 | | 6 Amperes | | Yes | Yes | Yes | 368 x 67 x 55 |
| 7042 | 06 | | 6 Amperes | | Yes | Yes | Yes | 424 x 67 x 55 |
| 7043 | | 02 | 16 Amperes | | Yes | Yes | Yes | 260 x 67 x 55 |
| 7044 | | 03 | 16 Amperes | | Yes | Yes | Yes | 315 x 67 x 55 |
| 7045 | | 04 | 16 Amperes | | Yes | Yes | Yes | 368 x 67 x 55 |
| 7046 | | 06 | 16 Amperes | | Yes | Yes | Yes | 424 x 67 x 55 |

MX NUEVO C34

| | | | | | | | | |
|------|----|----|------------|-----|-----|-----|-----|---------------|
| 7047 | 02 | | 6 Amperes | Yes | | Yes | Yes | 235 x 67 x 40 |
| 7048 | 03 | | 6 Amperes | Yes | | Yes | Yes | 290 x 67 x 40 |
| 7049 | 04 | | 6 Amperes | Yes | | Yes | Yes | 345 x 67 x 40 |
| 7050 | 06 | | 6 Amperes | Yes | | Yes | Yes | 424 x 67 x 40 |
| 7051 | | 02 | 16 Amperes | Yes | | Yes | Yes | 235 x 67 x 40 |
| 7052 | | 03 | 16 Amperes | Yes | | Yes | Yes | 290 x 67 x 40 |
| 7053 | | 04 | 16 Amperes | Yes | | Yes | Yes | 344 x 67 x 40 |
| 7054 | | 06 | 16 Amperes | Yes | | Yes | Yes | 424 x 67 x 40 |
| 7055 | 02 | | 6 Amperes | | Yes | Yes | Yes | 260 x 67 x 40 |
| 7056 | 03 | | 6 Amperes | | Yes | Yes | Yes | 315 x 67 x 40 |
| 7057 | 04 | | 6 Amperes | | Yes | Yes | Yes | 368 x 67 x 40 |
| 7058 | 06 | | 6 Amperes | | Yes | Yes | Yes | 424 x 67 x 40 |
| 7059 | | 02 | 16 Amperes | | Yes | Yes | Yes | 260 x 67 x 40 |
| 7060 | | 03 | 16 Amperes | | Yes | Yes | Yes | 315 x 67 x 40 |
| 7061 | | 04 | 16 Amperes | | Yes | Yes | Yes | 368 x 67 x 40 |
| 7062 | | 06 | 16 Amperes | | Yes | Yes | Yes | 424 x 67 x 40 |

Customized Multimedia & Sockets on Request :





Embedded Power & Data Socket - Screw Type

The MX Embedded Power and Data Socket Interlink, a seamless solution for power access and integrated connectivity in your workstation. Designed for a neat and organized workspace, this product comes with a dedicated power supply for a consistent and reliable source. The all-in-one power supply includes multiple sockets, USB A+C chargers, CAT 6 ports, HDMI, and a lengthy power cable. Elevate your workspace with this user-friendly solution that combines power and connectivity in one sleek package.

SPECIFICATION

Rated Voltage : 250 Volts — Single-phase

Rated Current : 6 -13 Amperes

USB Charger: 1USB A+C 12/18/30 Watts PD Fast Charging

Finish: Black, Silver, & White Anodized

Material : Aluminum, FRP, GRP (flame retardant)

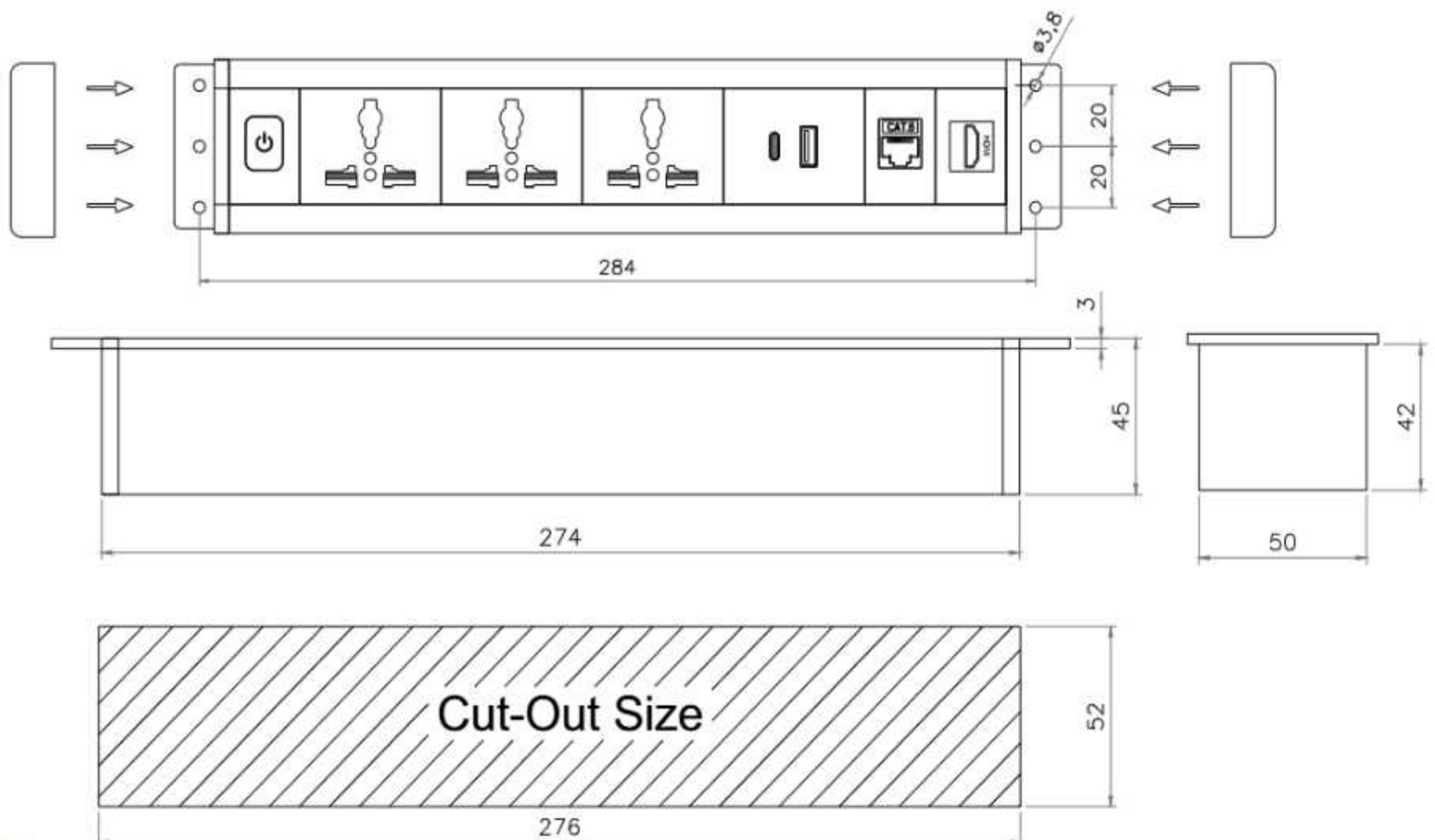
Wiring : Pre -Wired 300mm Cable With Screwless Connector

Data : HDMI, Cat6, Cat3 & USB-C

Customization : Length Upon Request



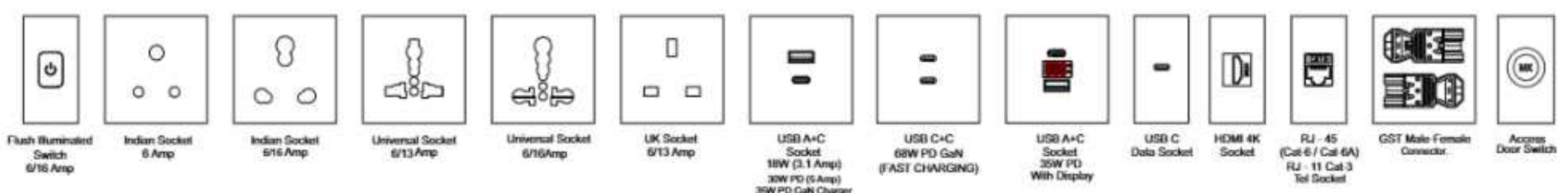
| MX No. | Indian or Universal Socket | USB A+C | CAT 6 | HDMI 4K | Flush Illuminated Switch 6 Amp | Dimensions | Dimensions Cut Size |
|--------|----------------------------|---------|-------|---------|--------------------------------|---------------|---------------------|
| 7075 | 3 | Yes | Yes | Yes | Yes | 304 x 57 x 42 | 276 x 52 |



Key Features :



Customized Multimedia & Sockets on Request :



Embedded Power & Data Socket - Push Type

The MX Embedded Power and Data Socket Interlink, a seamless solution for power access and integrated connectivity in your workstation. Designed for a neat and organized workspace, this product comes with a dedicated power supply for a consistent and reliable source. The all-in-one power supply includes multiple sockets, USB A+C chargers, CAT 6 ports, HDMI, and a lengthy power cable. Elevate your workspace with this user-friendly solution that combines power and connectivity in one sleek package.

SPECIFICATION

Rated Voltage : 250 Volts — Single-phase

Rated Current : 6 -13 Amperes

USB Charger: 1USB A+C 12/18/30 Watts PD Fast Charging

Finish: Black, Silver, & White Anodized

Material : Aluminum, FRP, GRP (flame retardant)

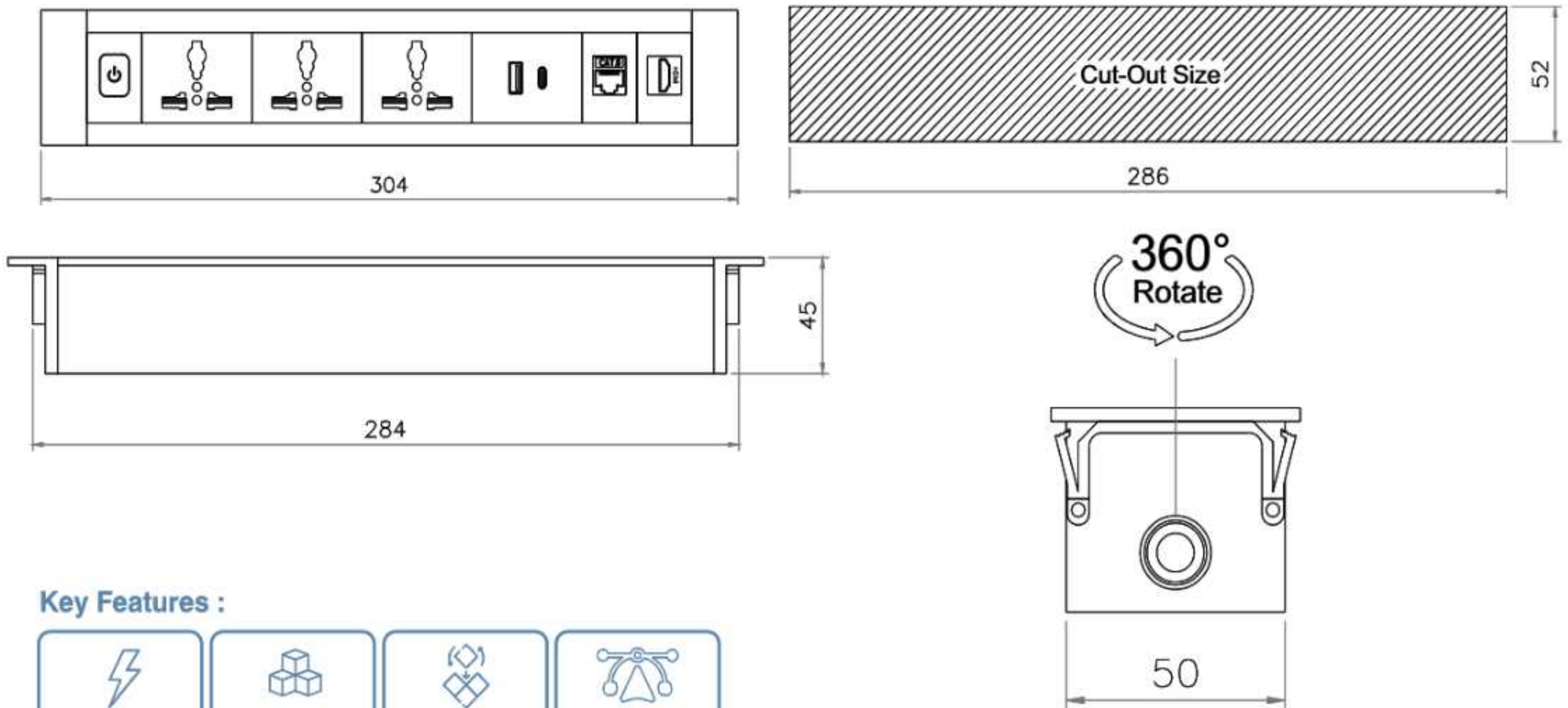
Wiring : Pre -Wired 300mm Cable With Screwless Connector

Data : HDMI, Cat6, Cat3 & USB-C

Customization : Length Upon Request



| MX No. | Indian or Universal Socket | USB A+C | CAT 6 | HDMI 4K | Flush Illuminated Switch 6 Amp | Dimensions | Dimensions Cut Size |
|--------|----------------------------|---------|-------|---------|--------------------------------|---------------|---------------------|
| 7076 | 3 | Yes | Yes | Yes | Yes | 304 x 57 x 45 | 286 x 52 |



Key Features :

- PD Qualcomm Fast Charging for tablets & laptop
- Customizable Configuration & Mounting's
- Can be used above desk & on wall
- Modular Design

Customized Multimedia & Sockets on Request :

- Flush Illuminated Switch 6/16 Amp
- Indian Socket 6 Amp
- Indian Socket 6/16 Amp
- Universal Socket 6/13 Amp
- Universal Socket 6/16 Amp
- UK Socket 6/13 Amp
- USB A+C Socket 18W (3.1 Amp) 30W PD (5 Amp) 35W PD GaN Charger
- USB C-C 68W PD GaN (FAST CHARGING)
- USB A+C Socket 35W PD With Display
- USB C Data Socket
- HDMI 4K Socket
- RJ - 45 (Cat-6 / Cat-6A) RJ - 11 Cat-3 Tel Socket
- GST Male-Female Connector
- Access Door Switch

Under Desk Socket

The MX Under Desk Socket revolutionize power management with their unparalleled features: rapid installation, exceptional strength, unmatched versatility, sleek aesthetics, and remarkable configurability. space utilization. Available in BIS standard Indian Socket (6 & 16 Amperes) with USB A 3.0, USB A + C, & USB C charging sockets, the Under Desk Consoles are an ideal choice for workspace environments. They stand as the most popular solution for streamlined power and cable management, customizable to any plug or multimedia socket configuration, and adjustable to fit specific length requirements.

SPECIFICATION

Rated Voltage : 250V— Single-phase

Rated Current : 6-16 amps (Max)

USB Charger: 2 type A Ports 5V, 2400mA

Finish: Black Anodized

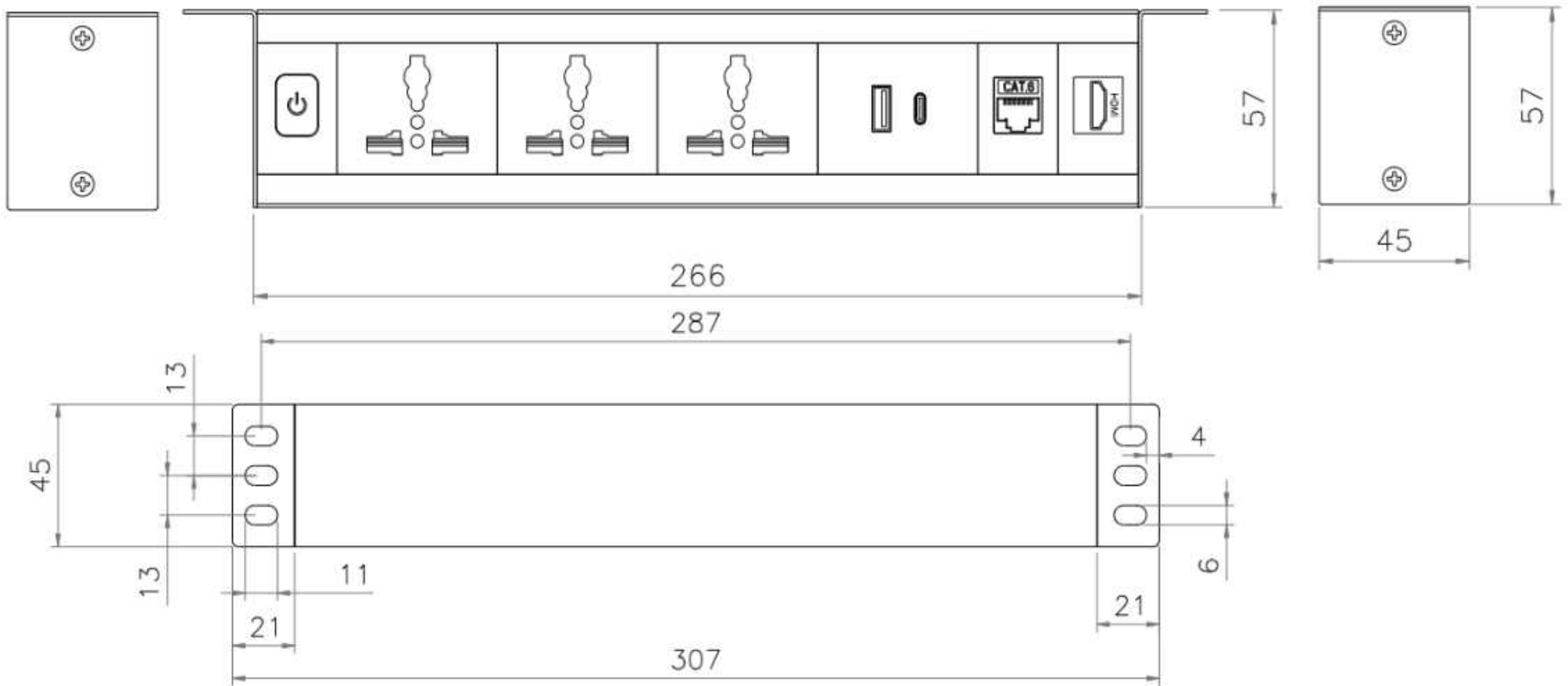
Material : Aluminum, FRP, GRP (flame retardant)

Wiring : Pre -Wired 300mm Cable With Screwless Connector

Customization : Length Upon Request



| MX No. | Indian or Universal Socket | USB A+C | CAT 6 | HDMI 4K | Flush Illuminated Switch 16 Amp | Dimensions |
|--------|----------------------------|---------|-------|---------|---------------------------------|---------------|
| 7077 | 3 | Yes | Yes | Yes | Yes | 331 x 57 x 45 |



Key Features :

- PD Qualcomm Fast Charging for tablets & laptop
- Customizable Configuration & Mounting's
- Can be used above desk & on wall
- USB Charging on End Cap
- Modular Design

Customized Multimedia & Sockets on Request :

- Flush Illuminated Switch 8/16 Amp
- Indian Socket 6 Amp
- Indian Socket 6/16 Amp
- Universal Socket 6/13 Amp
- Universal Socket 6/16 Amp
- UK Socket 6/13 Amp
- USB A+C Socket 18W (3.1 Amp) 30W PD (5 Amp) 35W PD GaN Charger
- USB C+C 68W PD GaN (FAST CHARGING)
- USB A+C Socket 35W PD With Display
- USB C Data Socket
- HDMI 4K Socket
- RJ - 45 (Cat-6 / Cat-6A) RJ - 11 Cat-3 Tel Socket
- GST Male Female Connector
- Access Door Switch



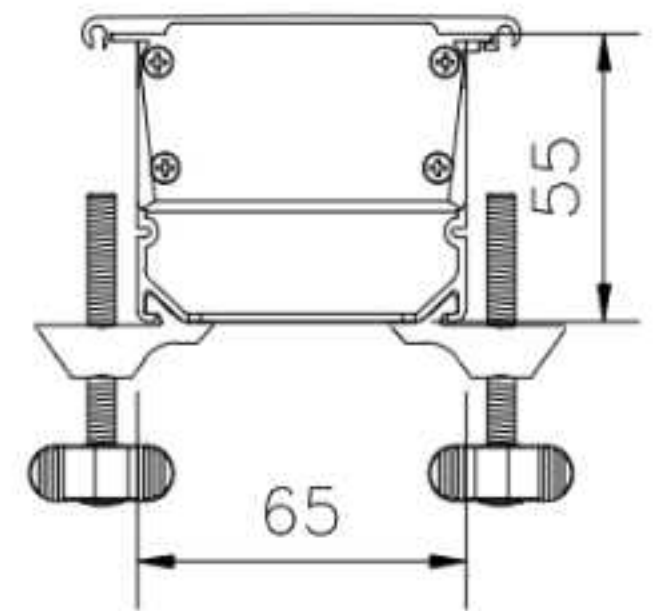


Power Cubby Slider Flap

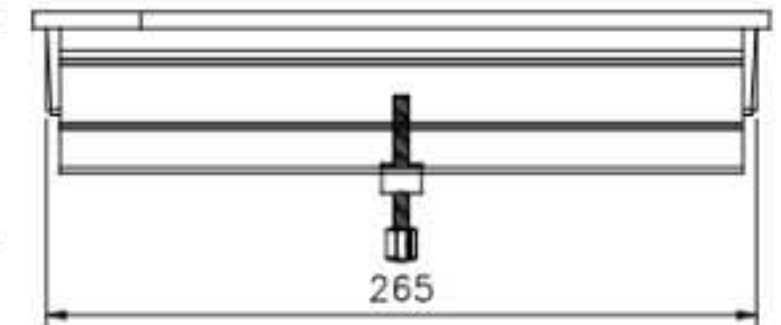
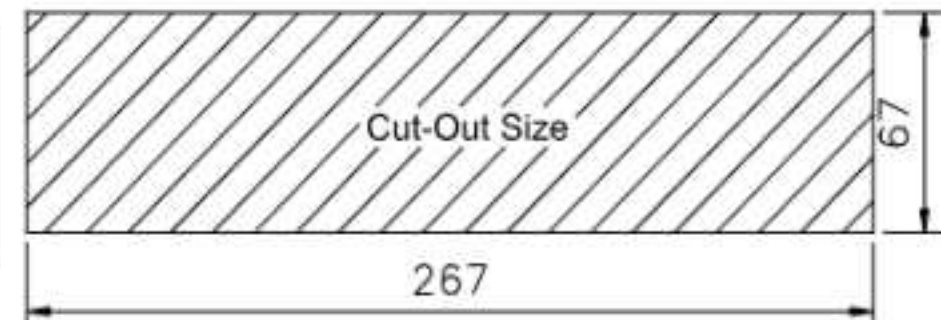
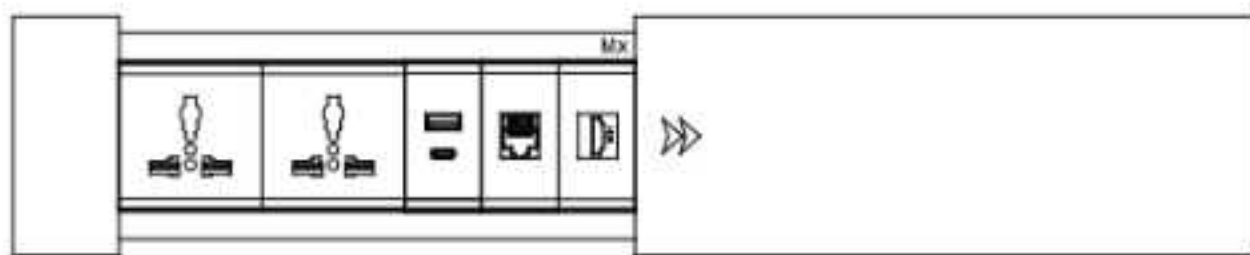
The Power Cubby with Slider Flap boasts quick and simple installation. Shrouded screw terminals simplify power connections, while feed-through multimedia ports ensure seamless connectivity. It comes with a wireless charging option, and the convenient sliding flap provides easy access with magnetic soft closing to keep your workspace organized. Crafted from durable aluminum alloy, this cubby seamlessly integrates into various workstation and executive table setups. It is customizable to any plug or multimedia socket configuration and adjustable to fit specific length requirements.

SPECIFICATION

Rated Voltage : 250V~ Single Phase
 Rated Current : 6-13 Amperes (Max)
 USB Charger : Type A & C Ports 18, 30, 68 GaN PD Watts
 Material : Aluminium, Polycarbonate
 Finish Colors : Silver & Black (Anodized)
 Rose Gold (ON REQUEST)
 Wiring : Pre -Wired 300mm Cable With Screwless Connector



| MX No. | Indian or Universal Socket | USB A + C | CAT 6 | HDMI 4K | Silver or Black | Dimensions (mm) | Cutout (mm) |
|------------|----------------------------|-----------|-------|---------|-----------------|-----------------|-------------|
| 7005 SD-2U | 2 | 1 | 1 | 1 | Yes | 275 x 87 x 55 | 267 x 67 |

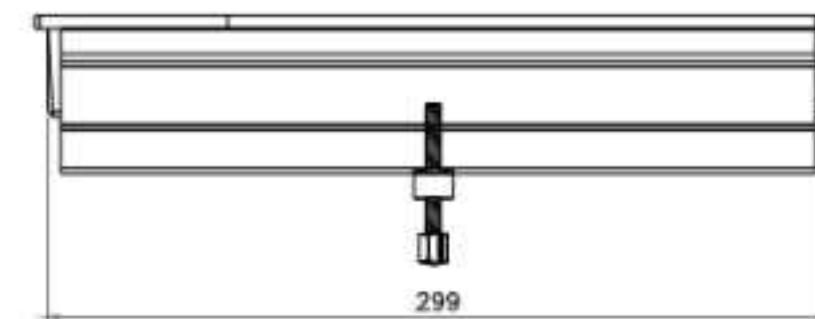


Power Cubby Slider Flap Wireless

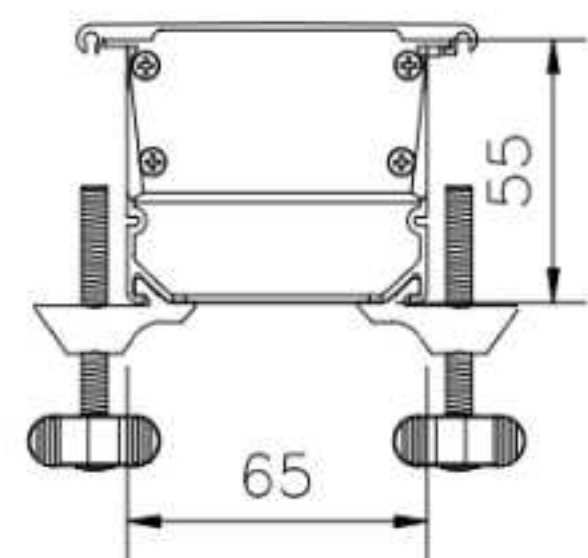
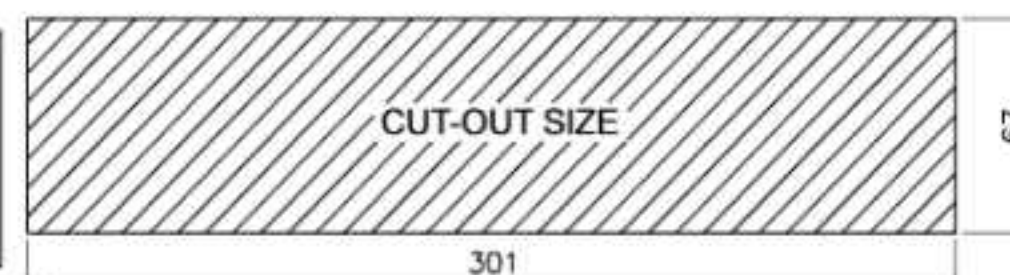
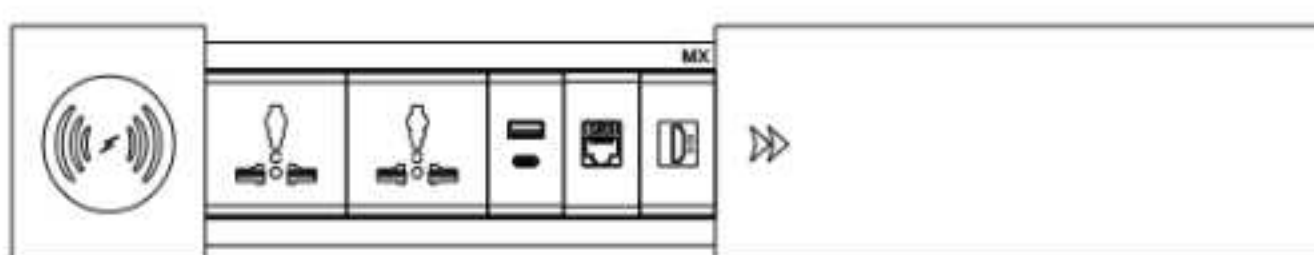
The Power Cubby with Slider Flap, featuring an additional wireless charger, offers quick and simple installation. Shrouded screw terminals simplify power connections, while feed-through multimedia ports ensure seamless connectivity. It includes a wireless charging option, and the convenient sliding flap provides easy access with a magnetic soft closing mechanism to keep your workspace organized. Crafted from durable aluminium alloy, this cubby seamlessly integrates into various workstation and executive table setups. It is customizable to any plug or multimedia socket configuration and adjustable to fit specific length requirements.

SPECIFICATION

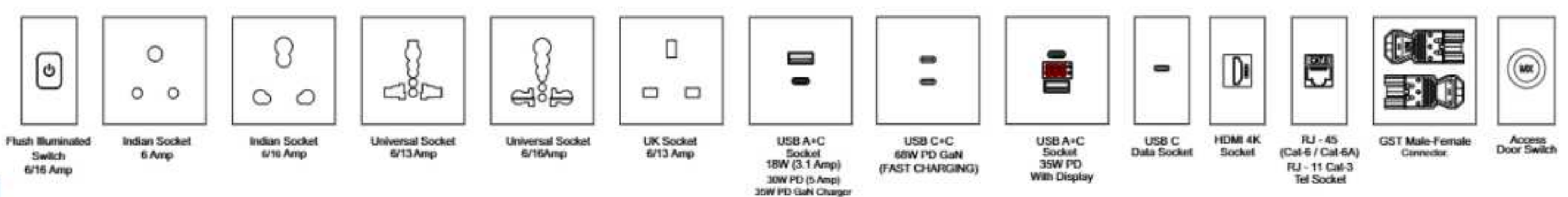
Rated Voltage : 250V~ Single Phase
 Rated Current : 6-13 Amperes (Max)
 USB Charger : Type A & C Ports 18, 30, 68GaN PD Watts
 Wireless Charger : 15 Watts
 Material : Aluminium, Polycarbonate
 Finish Colors : Silver & Black (Anodized)
 Rose Gold (ON REQUEST)
 Wiring : Pre -Wired 300mm Cable With Screwless Connector



| MX No. | Indian or Universal Socket | USB A + C | CAT 6 | HDMI 4K | Wireless 15 W | Silver or Black | Dimensions (mm) | Cutout (mm) |
|--------------|----------------------------|-----------|-------|---------|---------------|-----------------|-----------------|-------------|
| 7005 SDQi-2U | 2 | 1 | 1 | 1 | 1 | Yes | 309 x 87 x 55 | 301 x 67 |



Customized Multimedia & Sockets on Request :

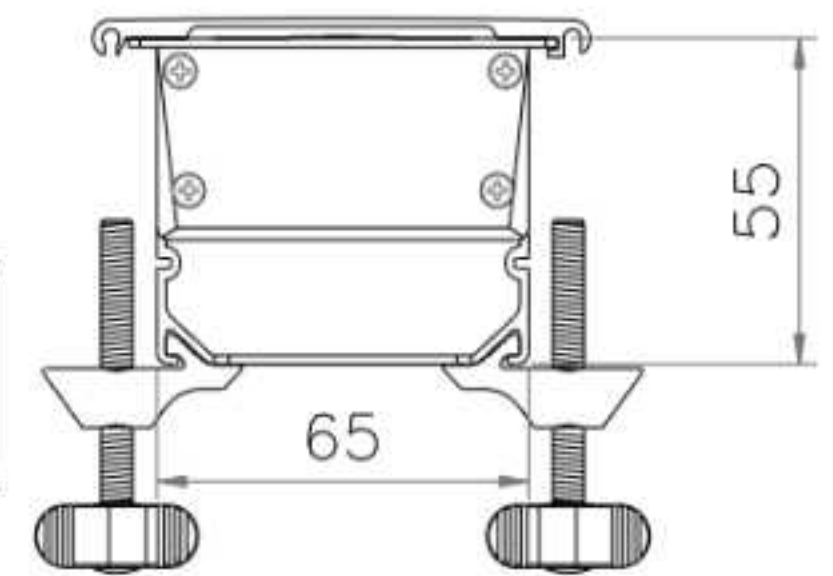
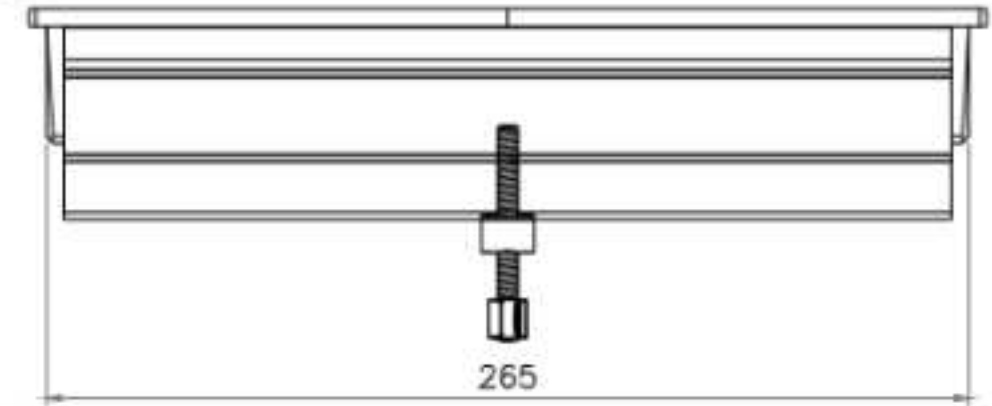


Power Cubby Double Flap

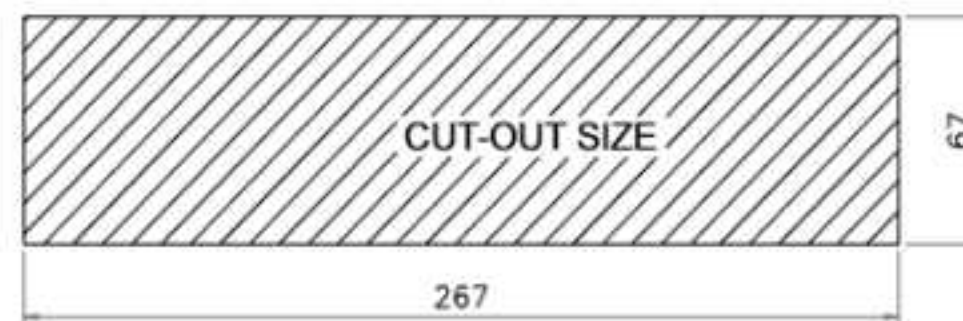
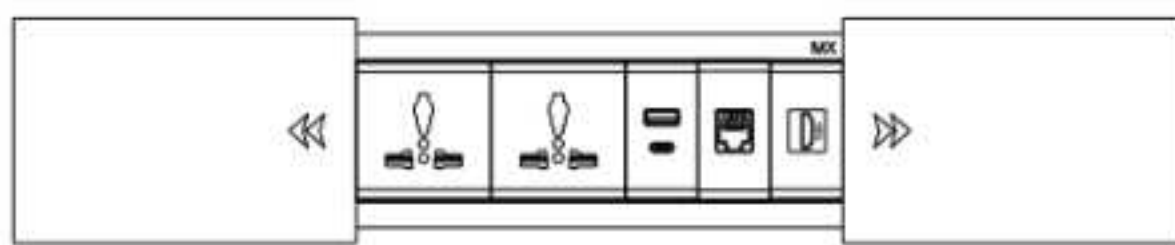
Power Cubby with Slider Flap allows the installation processes to be adapted quickly & simply. Easy power connection with shrouded screw terminals for power and feed-through multimedia connectivity. Sliding flap function gives convenience to open and close the panel. Aluminum alloy material, suitable for varieties of workstation & executive tables.

SPECIFICATION

Rated Voltage : 250V~ Single Phase
 Rated Current : 6-13Amps (Max)
 USB Charger : Type A & C Ports 18, 30, 68 GaN PD Watts
 Material : Aluminium, Polycarbonate
 Finish Colors : Silver & Black (Anodized)
 Wiring : Pre -Wired 300mm Cable With Screwless Connector



| MX No. | Indian or Universal Socket | USB A + C | CAT 6 | HDMI 4K | Silver or Black | Dimensions (mm) | Cutout (mm) |
|--------------|----------------------------|-----------|-------|---------|-----------------|-----------------|-------------|
| 7005 DD - 2U | 2 | 1 | 1 | 1 | Yes | 275 x 87 x 55 | 267 x 67 |

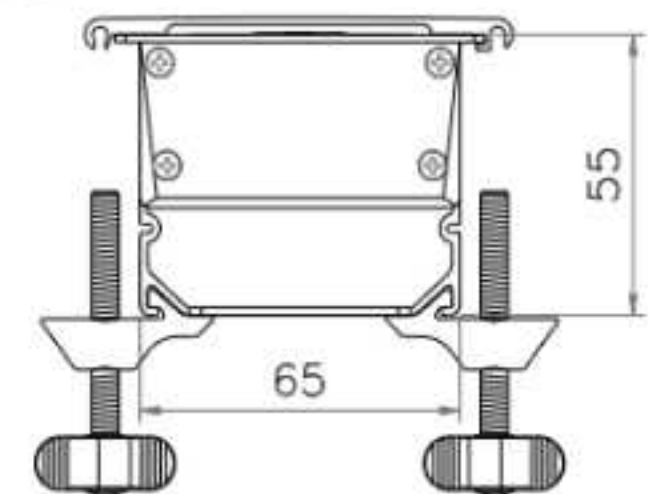


Power Cubby Double Flap Wireless

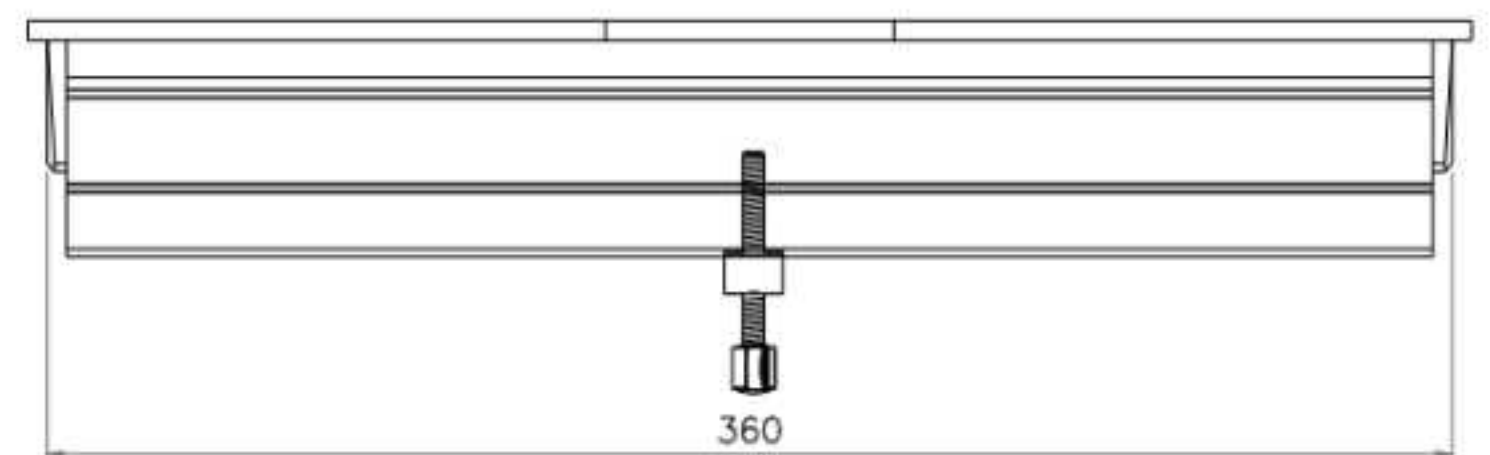
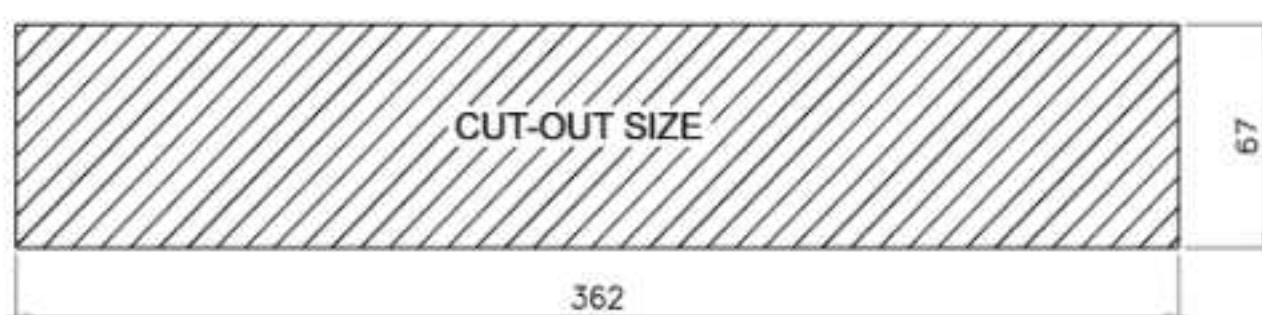
The Power Cubby with Double Flap ensures a swift and straightforward installation process. Shrouded screw terminals simplify power connections, while feed-through multimedia ports guarantee seamless connectivity. The convenience of a double sliding flap allows easy access, facilitated by a magnetic soft closing mechanism to maintain workspace organization. Crafted from durable aluminium alloy, this cubby seamlessly integrates into a variety of workstation and executive table setups. It offers customization options for any plug or multimedia socket configuration and is adjustable to meet specific length requirements.

SPECIFICATION

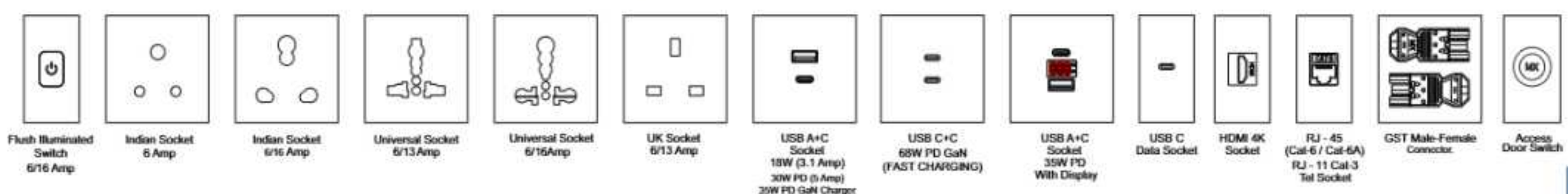
Rated Voltage : 250V~ Single Phase
 Rated Current : 6-13Amps (Max)
 USB Charger : Type A & C Ports 18, 30, 68 GaN PD Watts
 Material : Aluminium, Polycarbonate
 Finish Colors : Silver & Black (Anodized)
 Wiring : Pre -Wired 300mm Cable With Screwless Connector



| MX No. | Indian or Universal Socket | USB A + C | CAT 6 | HDMI 4K | Wireless 15 W | Silver or Black | Dimensions (mm) | Cutout (mm) |
|--------------|----------------------------|-----------|-------|---------|---------------|-----------------|-----------------|-------------|
| 7005 DDQi-2U | 2 | 1 | 1 | 1 | 1 | Yes | 370 x 87 x 55 | 362 x 67 |



Customized Multimedia & Sockets on Request :



Power Cubby Flap Up

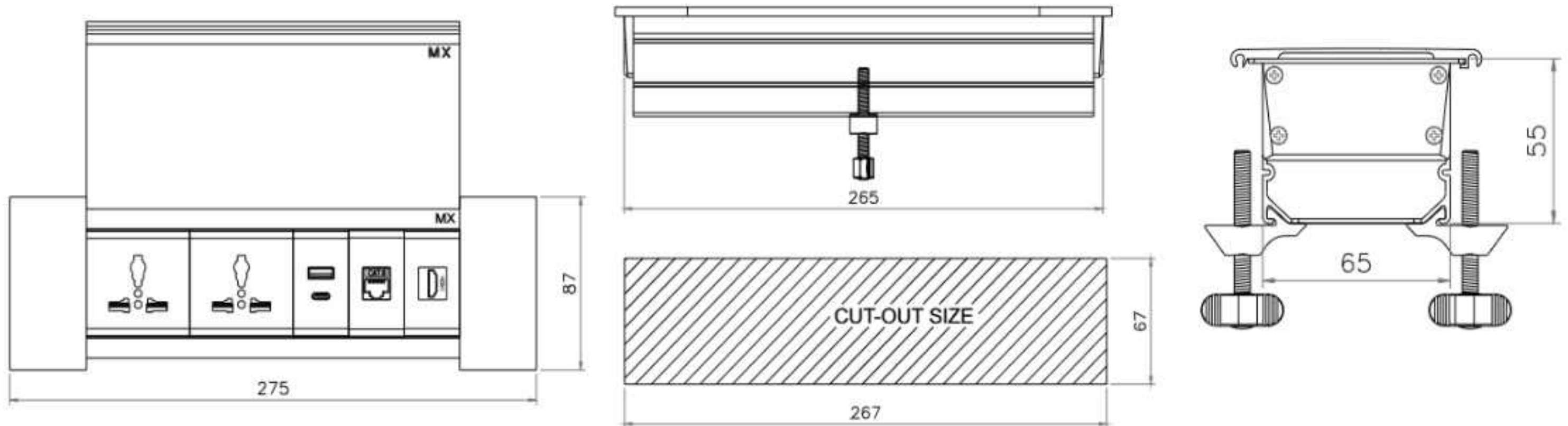
Power Cubby with Flap Up simplifies installation with its quick and simple design. Easy power connection is enabled by shrouded screw terminals, while feed-through multimedia ports provide seamless connectivity. The convenient up-flap function enables effortless access and closure, ensuring a clutter-free workspace. Crafted from durable aluminum alloy, this power cubby seamlessly integrates with various workstation and executive table configurations. Customizable to any plug or multimedia socket configuration, and adjustable to fit specific length requirements



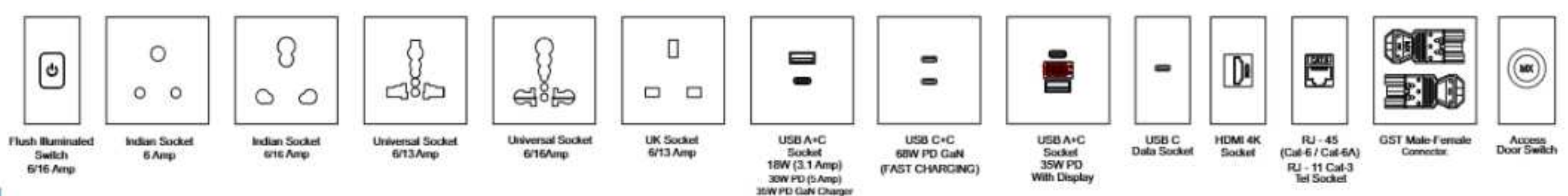
SPECIFICATION

- Rated Voltage : 250V~Single phase
- Rated Current : 6-13Amps (Max)
- USB Charger : Type A & C Ports 18, 30, 68 GaN PD Watts
- Material : Aluminium, Polycarbonate
- Finish Colors : Silver & Black (Anodized)
- Wiring : Pre -Wired 300mm Cable With Screwless Connector

| MX No. | Indian or Universal Socket | USB A + C | CAT 6 | HDMI 4K | Silver or Black | Dimensions (mm) | Cutout (mm) |
|---------|----------------------------|-----------|-------|---------|-----------------|-----------------|-------------|
| 7008-2U | 2 | 1 | 1 | 1 | Yes | 275 x 87 x 55 | 267 x 67 |



Customized Multimedia & Sockets on Request :



Power Cubby Flap Up Wireless

The Power Cubby with Flap Up, featuring an additional wireless charger, simplifies installation with its quick and straightforward design. Shrouded screw terminals facilitate easy power connections, while feed-through multimedia ports ensure seamless connectivity. The convenient up-flap function enables effortless access and closure, ensuring a clutter-free workspace. Crafted from durable aluminum alloy, this power cubby seamlessly integrates with various workstation and executive table configurations. It is customizable to any plug or multimedia socket configuration and adjustable to fit specific length requirements.



SPECIFICATION

Rated Voltage : 250V~Single phase

Rated Current : 6-13Amps (Max)

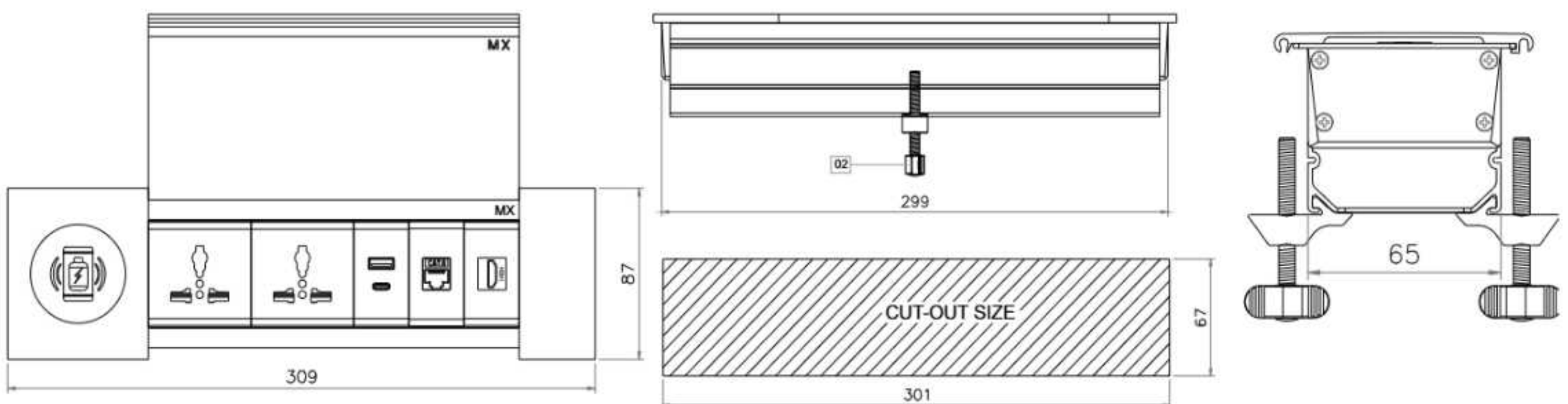
USB Charger : Type A & C Ports 18, 30, 68 GaN PD Watts

Material : Aluminium, Polycarbonate

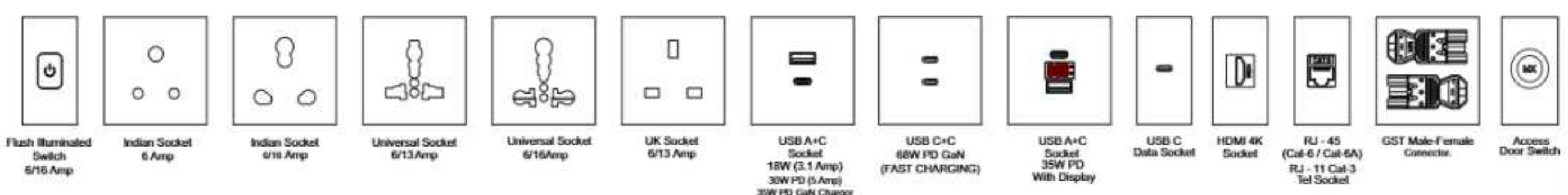
Finish Colors : Silver & Black (Anodized)

Wiring : Pre -Wired 300mm Cable With Screwless Connector

| MX No. | Indian or Universal Socket | USB A + C | CAT 6 | HDMI 4K | Wireless 15 W | Silver or Black | Dimensions (mm) | Cutout (mm) |
|------------|----------------------------|-----------|-------|---------|---------------|-----------------|-----------------|-------------|
| 7008 Qi-2U | 2 | 1 | 1 | 1 | 1 | Yes | 309 x 87 x 55 | 301 x 67 |



Customized Multimedia & Sockets on Request :





Power Cubby Flap-Meld Sockets

Power cable cubby featuring melded sockets for seamless cable management, buffer damping for silent operation, and a convenient up-flap design, the Power Flap simplifies installation and enhances user experience. Pre-wired power code and feed-through multimedia connectivity ensure effortless setup, while the up-flap function provides easy access, cable management, and a smooth, quiet operation. Crafted from durable aluminum alloy, this power flap seamlessly integrates into diverse workstation and executive table configurations. Customizable to any plug or multimedia socket configuration, and adjustable to fit specific length requirements



SPECIFICATION

Rated Voltage : 250V~Single phase

Rated Current : 6-13Amps (Max)

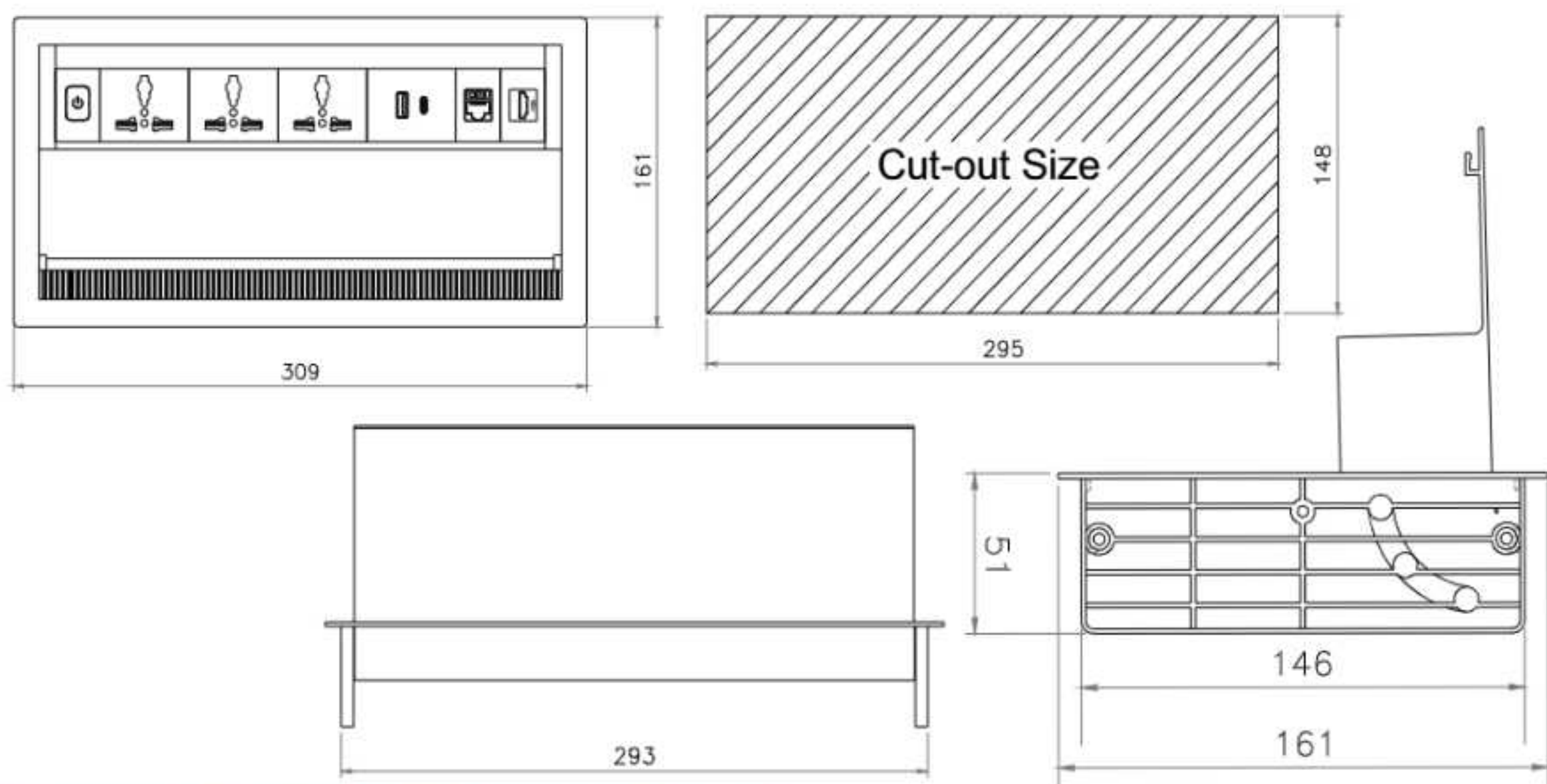
USB Charger : Type A & C Ports 18, 30, 68 GaN PD Watts

Material : Aluminium, Polycarbonate

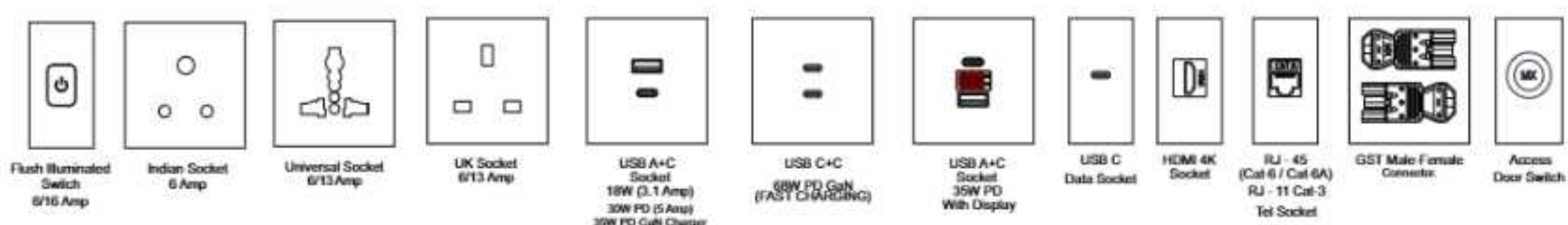
Finish Colors : Silver & Black (Anodized)

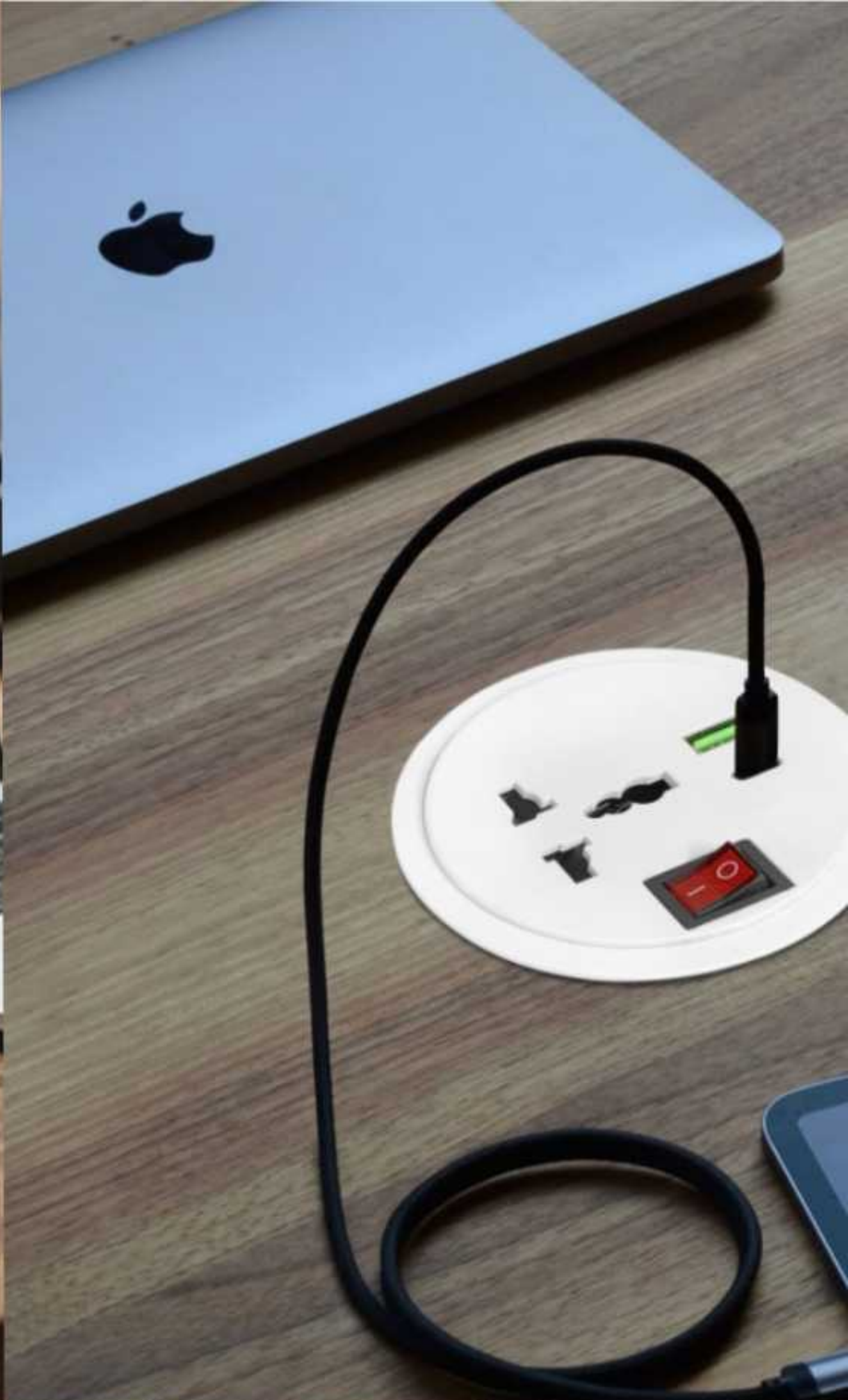
Wiring : Pre -Wired 300mm Cable With Screwless Connector

| MX No. | Indian or Universal Socket | USB A + C | CAT 6 | HDMI 4K | Silver or Black | Dimensions (mm) | Cutout (mm) |
|--------|----------------------------|-----------|-------|---------|-----------------|-----------------|-------------|
| 7009 | 3 | 1 | 1 | 1 | Yes | 309 x 161 x 51 | 295 x 148 |



Customized Multimedia & Sockets on Request :





Desktop Power Grommet

The Desk Power Grommet is a sophisticated solution designed to enhance workspace efficiency and organization. Seamlessly integrating power outlets and USB charging, it fits precisely into a standard 80mm diameter cutout, ensuring effortless installation, upgrades, and replacements. This innovative in-desk unit features easily accessible Indian or universal sockets, along with USB-A and USB-C ports offering 30W fast charging capabilities. Its adjustable clasp ring ensures a secure fit on desks, tables, and worktops up to 50mm thick, effectively eliminating cable clutter while delivering a streamlined and functional workspace experience.



- Secure Fit for Various Surfaces
- Adaptable Installation
- Clutter-Free Workspace
- Individually Configurable

SPECIFICATION

Rated Voltage : 250V~ Single Phase

Rated Current : 6-13 Amperes

USB Charger : Type A + C

Material : Flame Retardent Nylon Glass Field

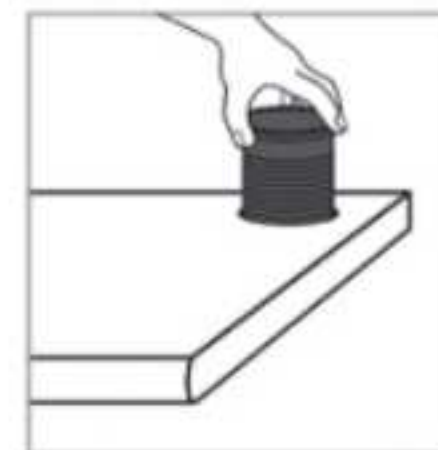
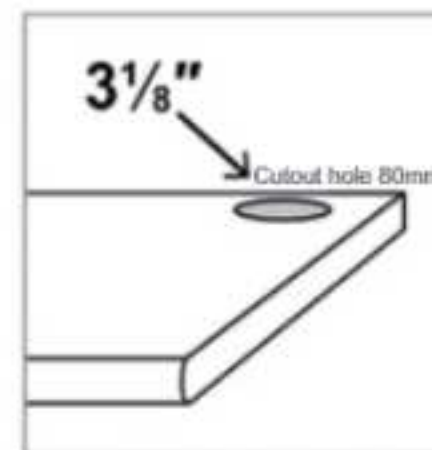
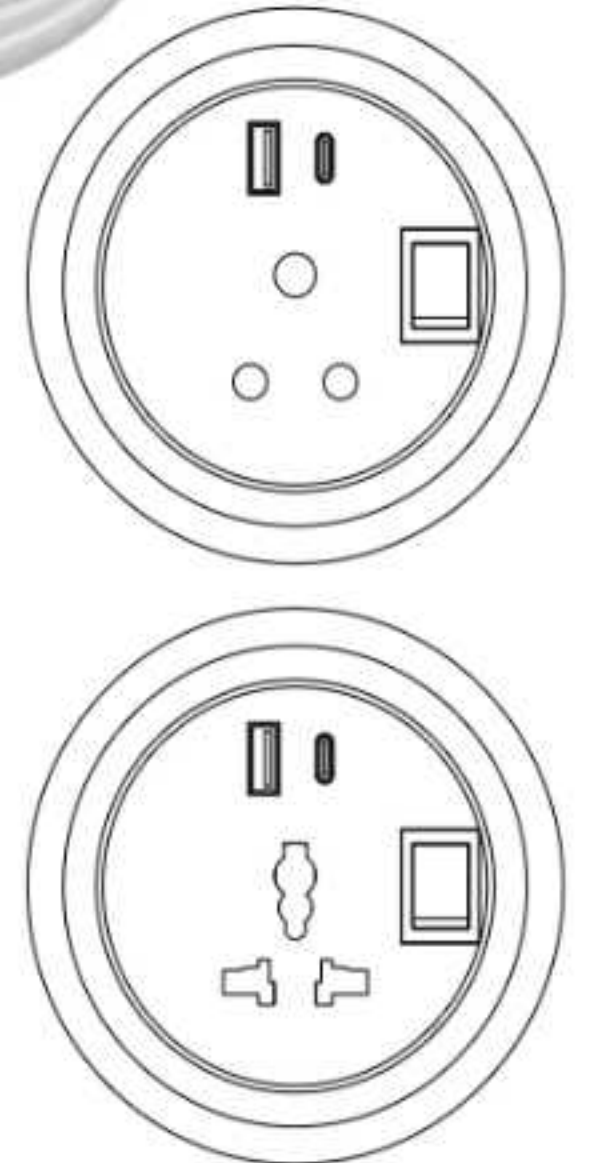
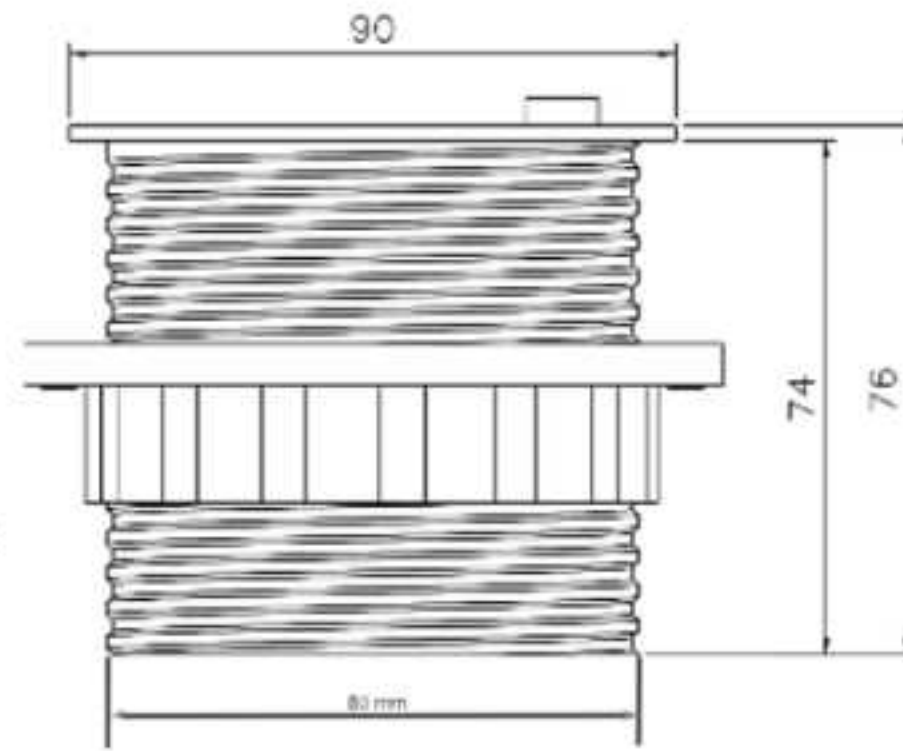
Finish Colors : Black & White

Wiring : Pre -Wired 300mm Cable With Screwless Connector

Standard pack : Locking clasp ring.

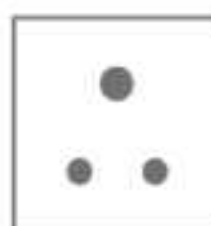
Dimension : 104 x 110 x 79.8 mm

Cutout Dimension: Ø 80 mm



| MX No. | Universal Socket 6-13 Amperes | Indian Socket | USB A+C | Wireless 15 Watts | Dual Pole Switch 6 Amperes |
|--------|----------------------------------|---------------|---------|----------------------|----------------------------------|
| 7071 | 1 | - | Yes | - | Yes |
| 7072 | - | 1 | Yes | - | Yes |

Customized Multimedia & Sockets on Request :



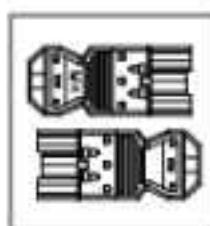
INDIAN
SOCKET
6 AMP



UNIVERSAL
SOCKET
6 / 13 AMP



USB A+C
SOCKET
18W (3.1Amp)
30 W PD (5Amp)
30 W PD GaN Charger



GST
MALE / FEMALE
CONNECTORS

Wireless Desktop Power Grommet

The Desk Power Grommet with Wireless Charging is an advanced solution designed to enhance workspace functionality and organization. Seamlessly integrating into a standard 80mm diameter cutout, it allows for hassle-free installation, upgrades, and replacements. This innovative in-desk unit features 15W wireless charging capability, providing a convenient, clutter-free way to power your devices. Its adjustable clasp ring ensures a secure fit on desks, tables, and worktops up to 50mm thick, delivering a sleek and efficient workspace experience.



MX 7073
BLACK



MX 7073
WHITE



- Secure Fit for Various Surfaces
- Adaptable Installation
- Clutter-Free Workspace
- Individually Configurable

SPECIFICATION

Material : Flame Retardent Nylon Glass Field

Finish Colors : Black & White

Wireless Charger : 15 Watts

Standard pack : Locking clasp ring.

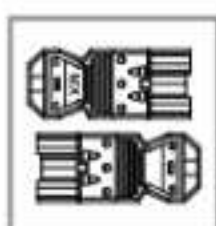
Dimension : 104 x 110 x 79.8 mm

Cutout Dimension: Ø 80 mm

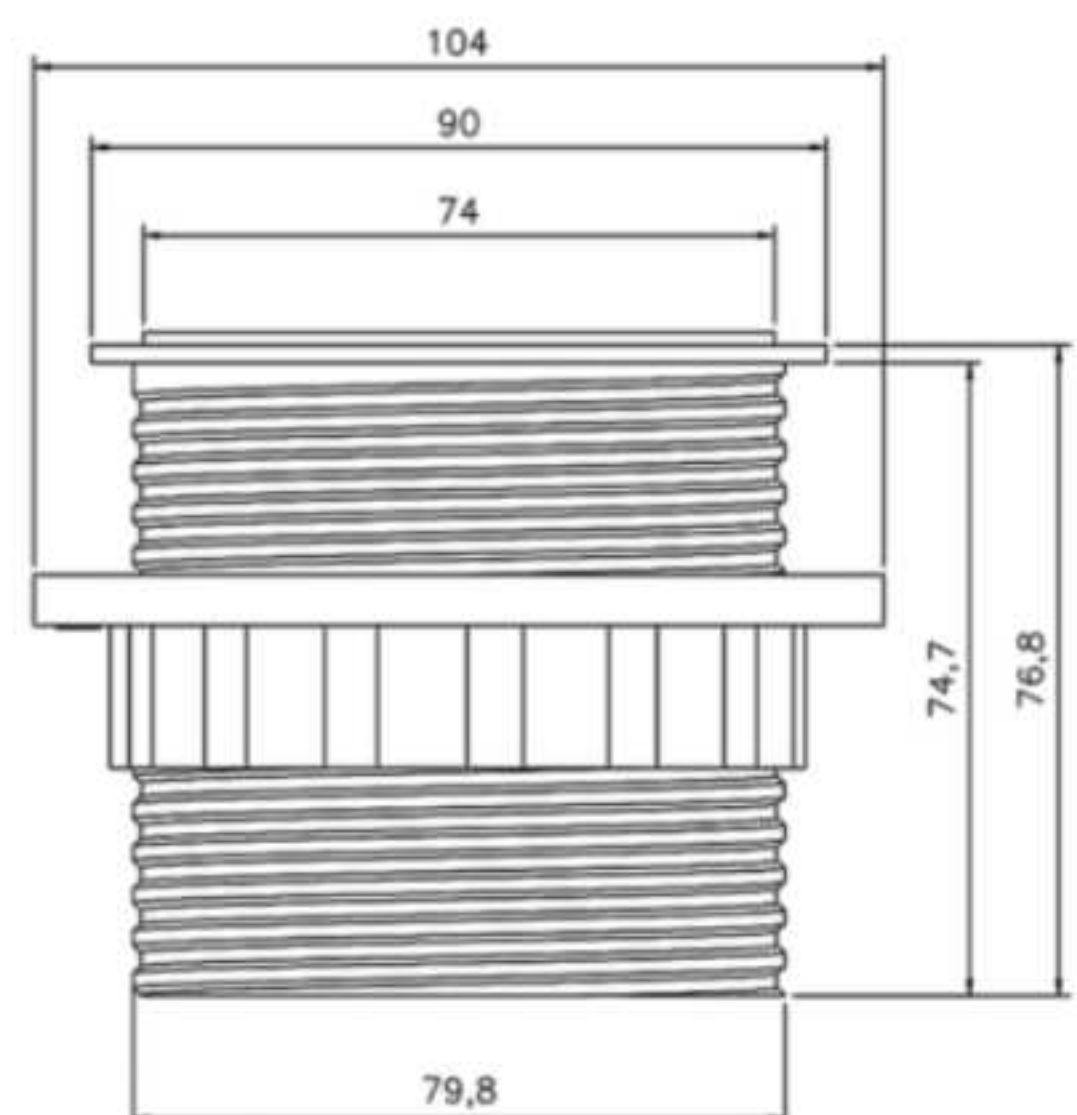
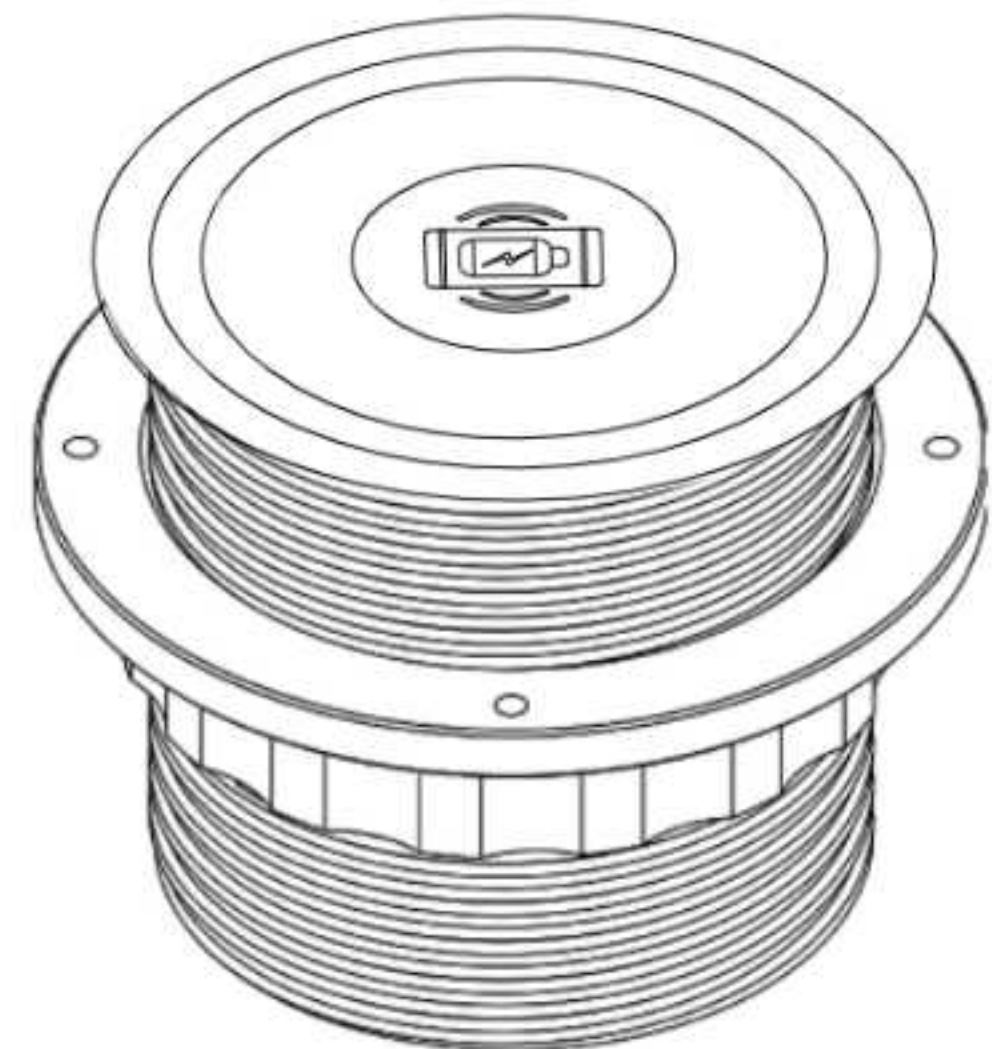
Sockets :



Wireless
15 W



GST
MALE / FEMALE
CONNECTORS



Desktop Power Grommet with Manual Pass Through

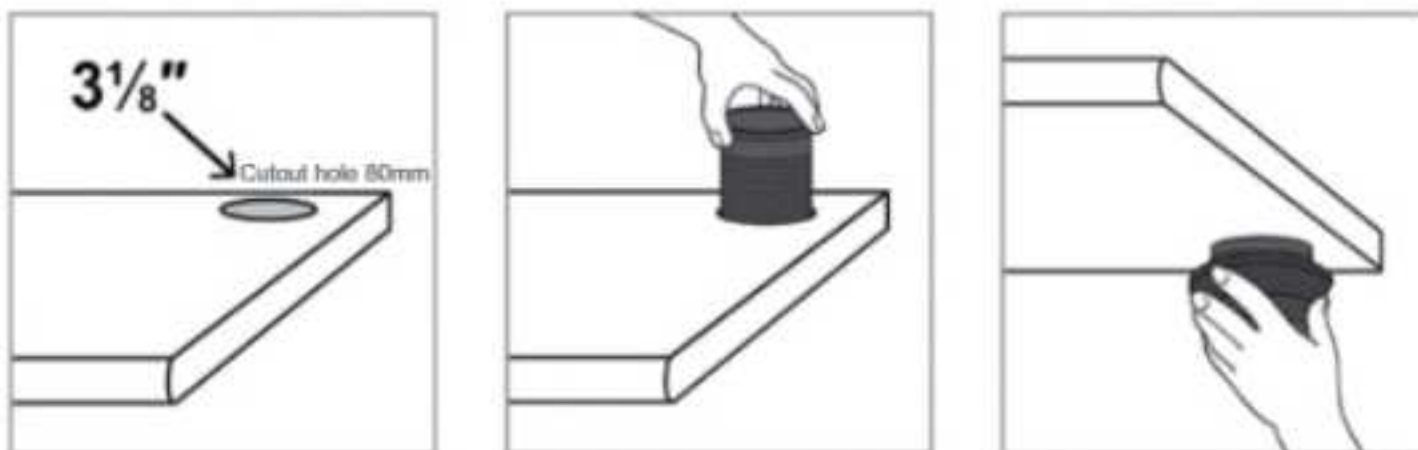
The MX 4-way manual cable pass through is a sophisticated, furniture-mounted round cable pass-through, designed for easy installation into table or podium tops. This sleek retractor is ideal for managing up to four cables, with a maximum cable diameter of 8 mm and a minimum strain relief width of 9 mm. A cutout of 80 mm is required for installation. Perfect for maintaining a clean, organized workspace, this cable management solution combines functionality with a polished, professional appearance.



**MX 7074
BLACK**



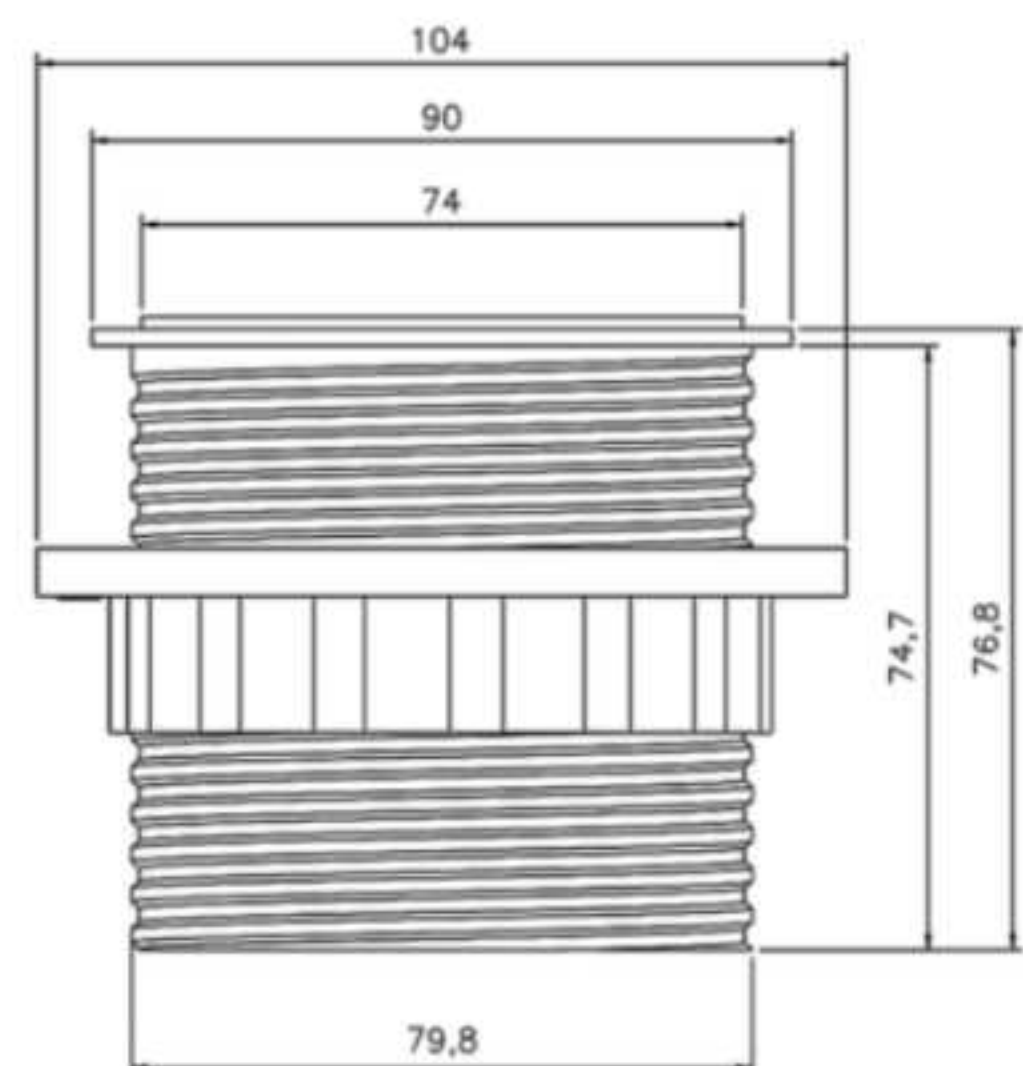
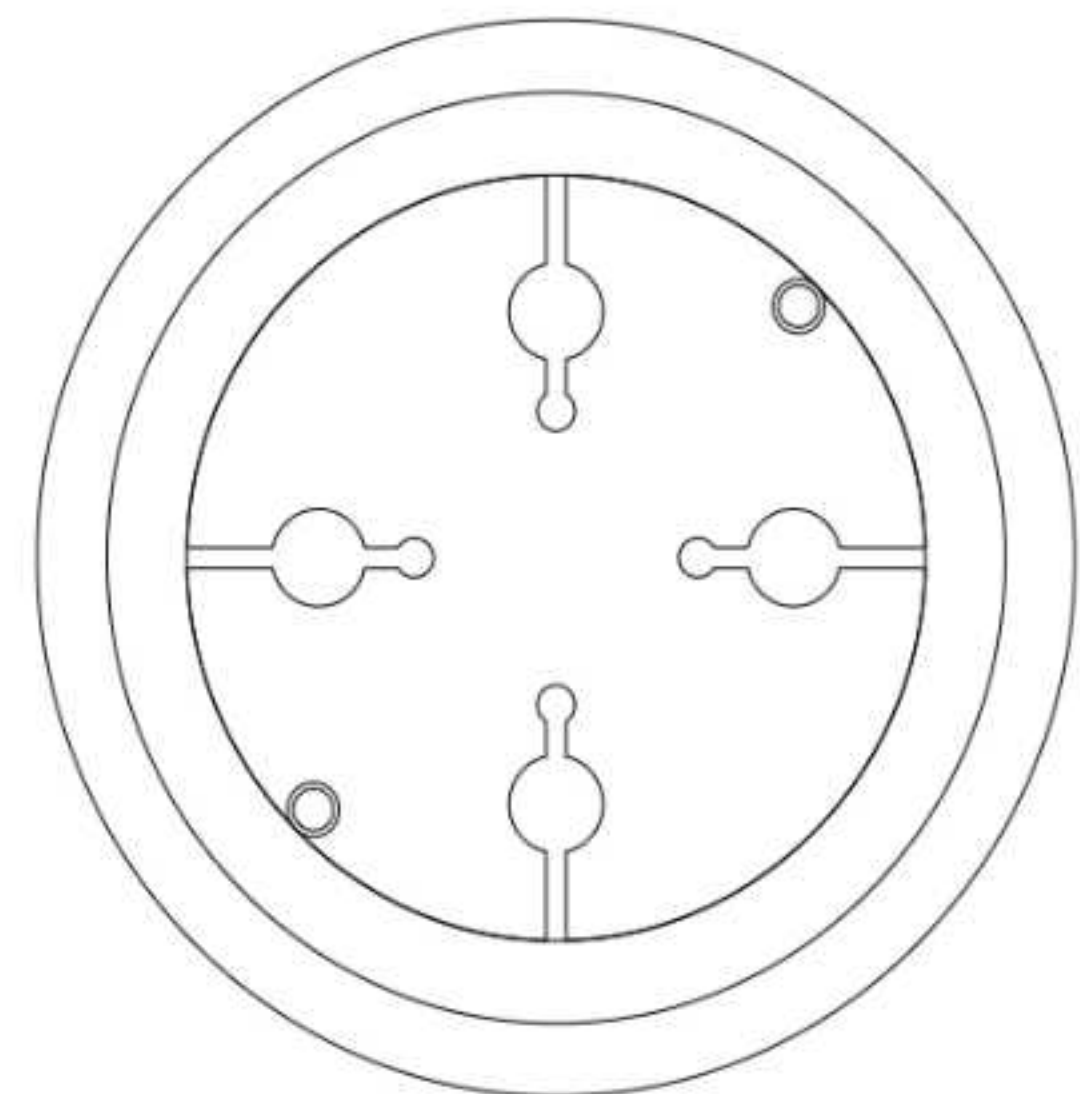
**MX 7074
WHITE**



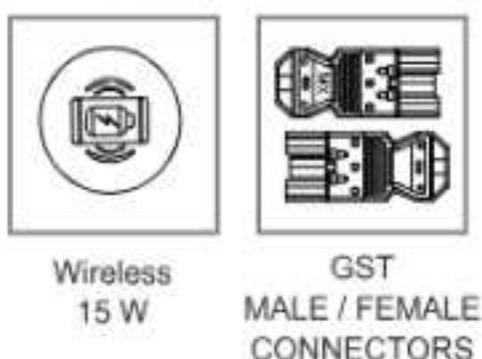
- Secure Fit for Various Surfaces
- Adaptable Installation
- Clutter-Free Workspace
- Individually Configurable

SPECIFICATION

Material : Flame Retardent Nylon Glass Field
 Finish Colors : Black & White
 4 Way cable Pass Through
 Standard pack : Locking clasp ring.
 Dimension : 104 x 110 x 79.8 mm
 Cutout Dimension: Ø 80 mm



Sockets :





Pluto Dock

PLUTO redefines power and data connectivity in informal spaces with unparalleled versatility. Its 3 outlets and 180° socket access provide seamless power and device charging for small teams using AC mains plugs, USB-A, and USB-C Power Delivery. This product effortlessly blends style and function to meet the growing demand for easily accessible mobile device charging. Available in polished white, black, silver, and 8 vibrant colors, PLUTO perfectly complements any interior design.

- 180° Socket Access
- Infinitely Customizable
- Versatile Installation
- Radiant LED Glow



SPECIFICATION

Rated Voltage : 250V~ Single Phase

Rated Current : 6-13A

USB Charger : Type A & C Ports 18, 30 PD, 30 GaN PD Watts

Material : Polycarbonate

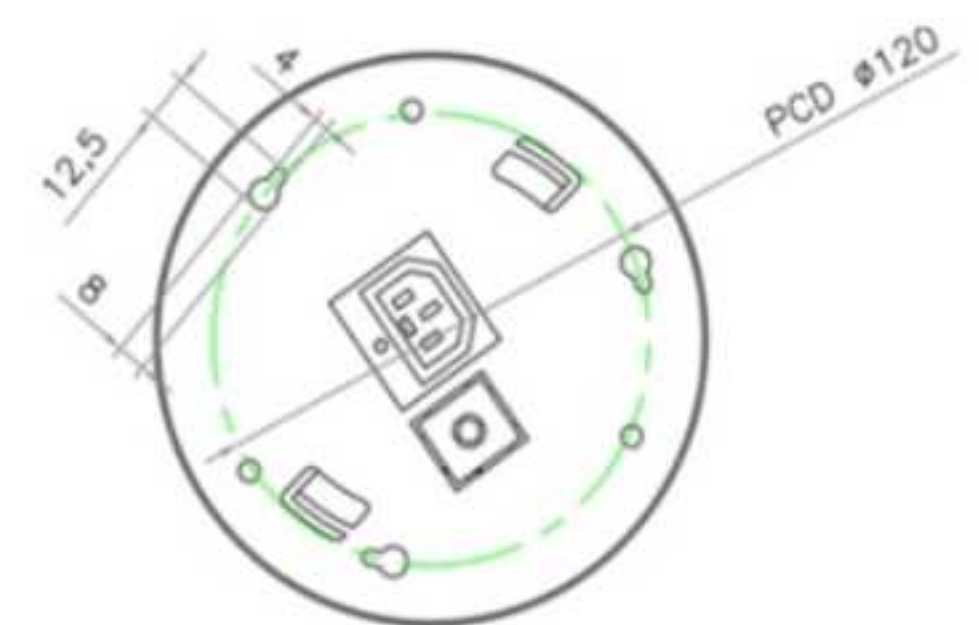
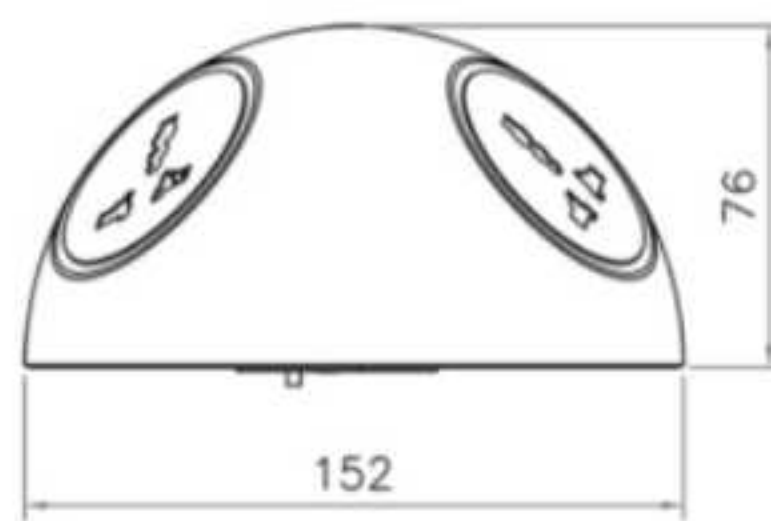
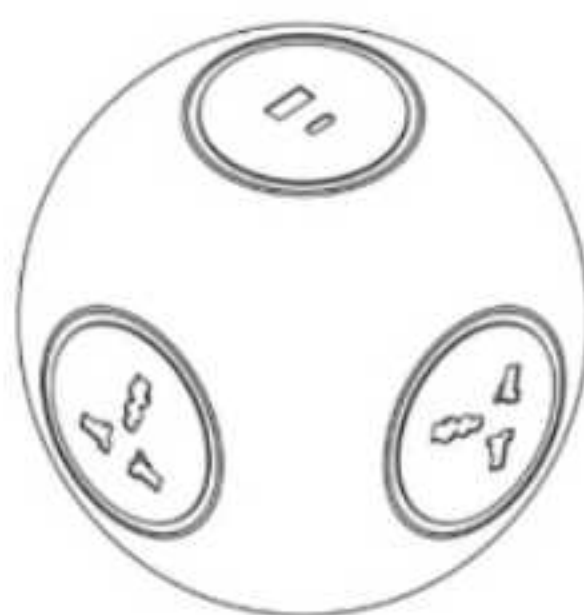
Finish Colors : Black / White

Wiring : IEC Locking Connector With Power Cord 1.5mtr

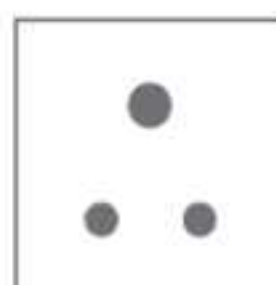
Dimension : 152 x 76mm

Cutout Dimension: PCD-120 mm With 3 Screw for Lock

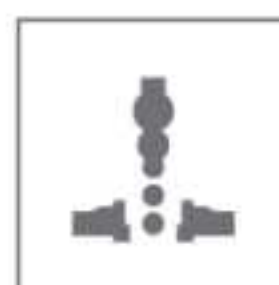
| MX No. | Universal or Indian Socket | USB A+C | LED | HDMI or Cat-6 |
|--------|----------------------------|---------|-----|---------------|
| 7067 | 2 | 1 | - | - |
| 7068 | 2 | 1 | Yes | - |
| 7069 | 2 | - | - | 1 |
| 7070 | 2 | - | Yes | 1 |



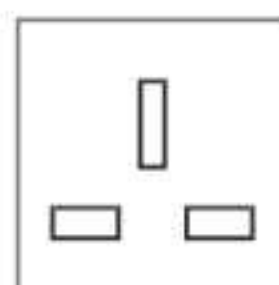
Customized Multimedia & Sockets on Request :



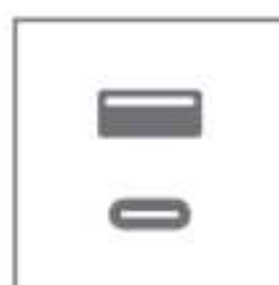
INDIAN SOCKET
6 AMP



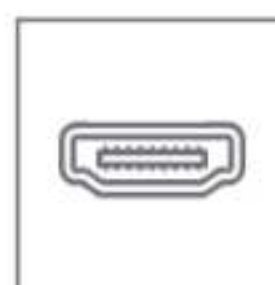
UNIVERSAL SOCKET
6 / 13 AMP



UK SOCKET
13 AMPS



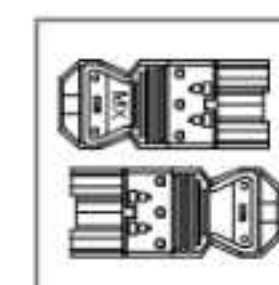
USB A+C SOCKET
18W (3.1Amp)
30W PD (5Amp)
30 W PD GaN Charger



HDMI 4K SOCKET



RJ - 45 (Cat-6 / Cat-6A)
RJ - 11 Cat-3 Tel Socket



GST MALE / FEMALE CONNECTORS



Pluto Grommet

PLUTO with Locking clasp ring revolutionizes power and data connectivity in casual environments, offering unmatched versatility. With 3 outlets and 360° socket access, it ensures seamless power and device charging for small teams utilizing AC mains plugs, USB-A, and USB-C Power Delivery. This product seamlessly combines style and functionality to address the increasing need for convenient mobile device charging. Available in polished white, black, silver, and a selection of 8 vibrant colors, PLUTO perfectly harmonizes with any interior design.

- 180° Socket Access
- Infinitely Customizable
- Versatile Installation
- Radiant LED Glow

SPECIFICATION

Rated Voltage : 250V~ Single Phase

Rated Current : 6-13A

USB Charger : Type A & C Ports 18, 30 PD, 30 GaN PD Watts

Material : Polycarbonate

Finish Colors : Black / White

Wiring : Pre -Wired 300mm Cable With Screw Less Connector

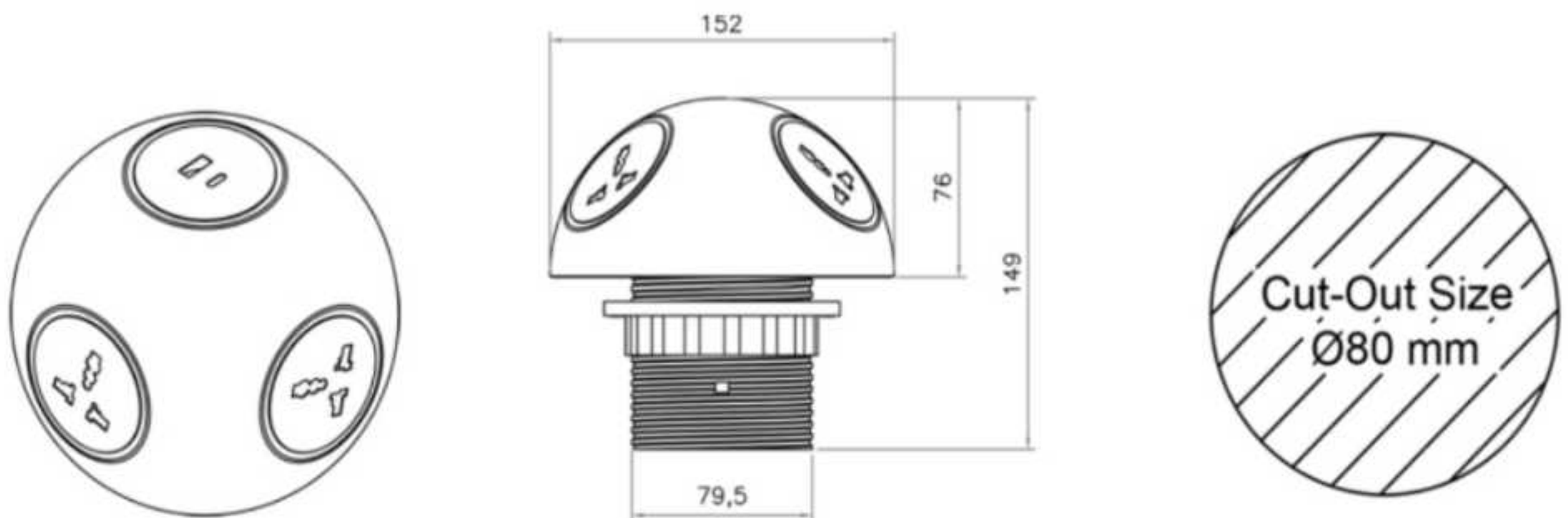
Standard pack : Locking clasp ring.

Dimension : 152 x 149 x 79.5mm

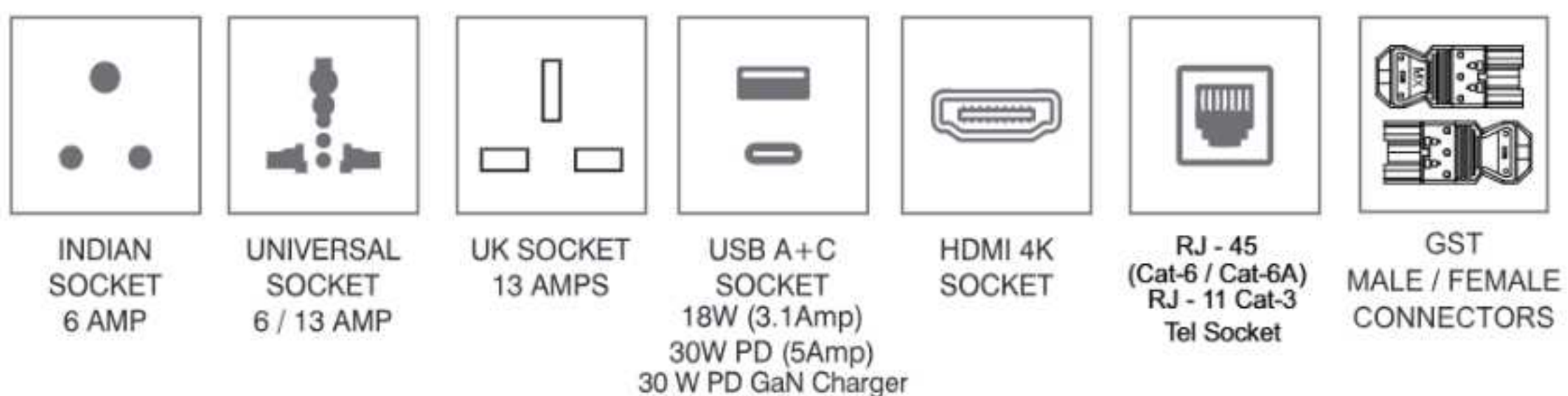
Cutout Dimension: Ø 80 mm



| MX No. | Universal or Indian Socket | USB A+C 30 W PD | LED | HDMI or Cat-6 |
|--------|----------------------------|-----------------|-----|---------------|
| 7063 | 2 | 1 | - | - |
| 7064 | 2 | 1 | Yes | - |
| 7065 | 2 | - | - | 1 |
| 7066 | 2 | - | Yes | 1 |



Customized Multimedia & Sockets on Request :





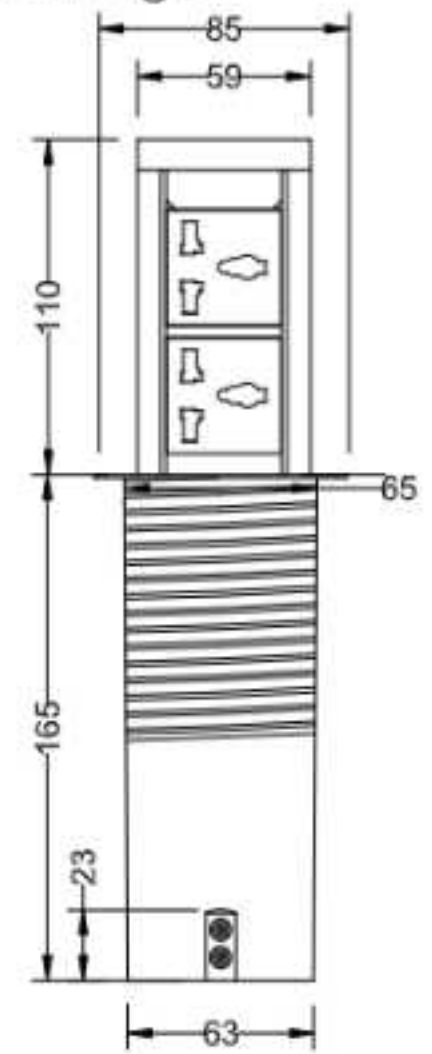
Power Post Push-Up

The Power Post Push-Up features a hydraulic bar pop-up mechanism for effortless pop-up functionality just press down to activate. This innovative design combines universal electrical outlets with efficient charging options, making it perfect for compact spaces. With a sleek 65mm diameter, it seamlessly raises or lowers with a simple press. It offers comprehensive connectivity and is equipped with USB-A ports, a 20W USB-C port with Power Delivery for rapid charging, HDMI 4K, and RJ-45 sockets. This compact, retractable solution is ideal for powering devices in homes, offices, and commercial settings.

SPECIFICATION

2 Universal 6/13 Amperes Power Socket
With 3 x 1.5 mm² Cord 1.6 Meter
Ø170 x 280 mm Length
Cut Out Size - Ø65 mm

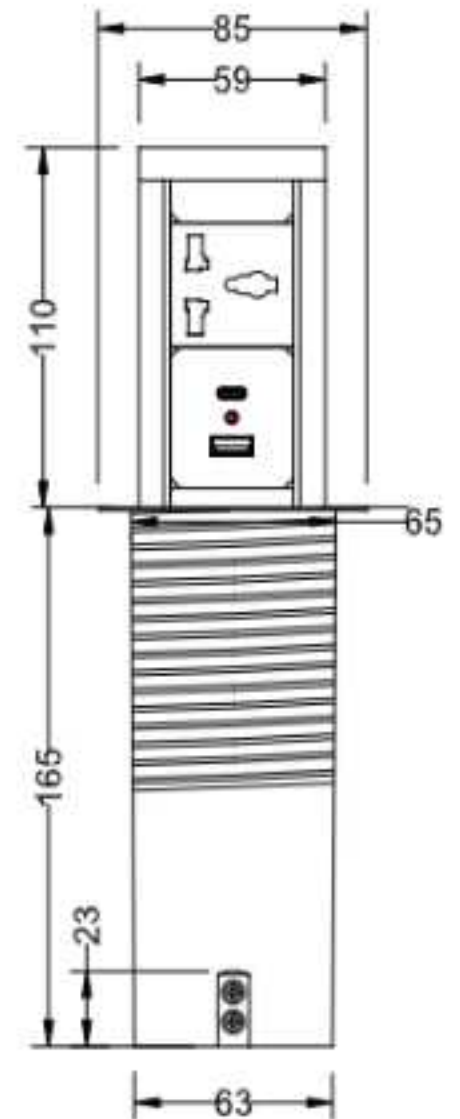
- MX 7078 - BLACK
- MX 7078A - WHITE
- MX 7078B - SILVER



SPECIFICATION

1 Universal 6/13 Ampere Power Socket
1 USB A + C 20W PD
Charger With 3 x 1.5 mm² Cord 1.6 Meter
Ø170 x 280 mm Length
Cut Out Size - Ø65 mm

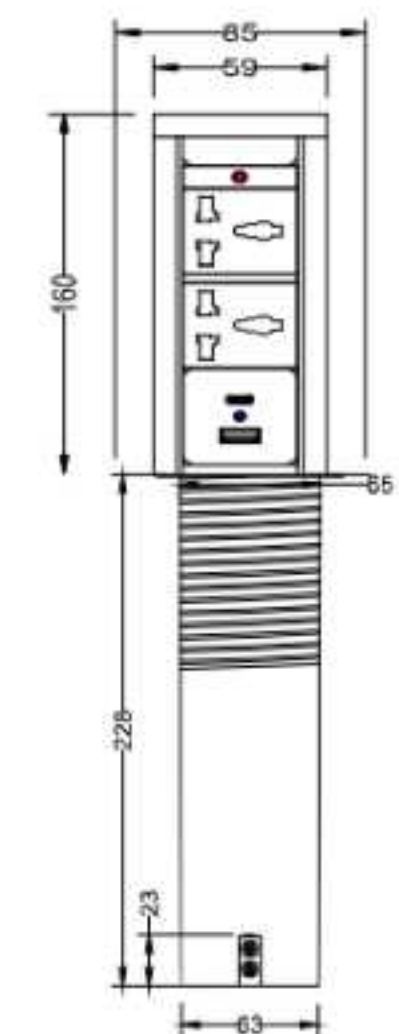
- MX 7079 - BLACK
- MX 7079A - WHITE
- MX 7079B - SILVER



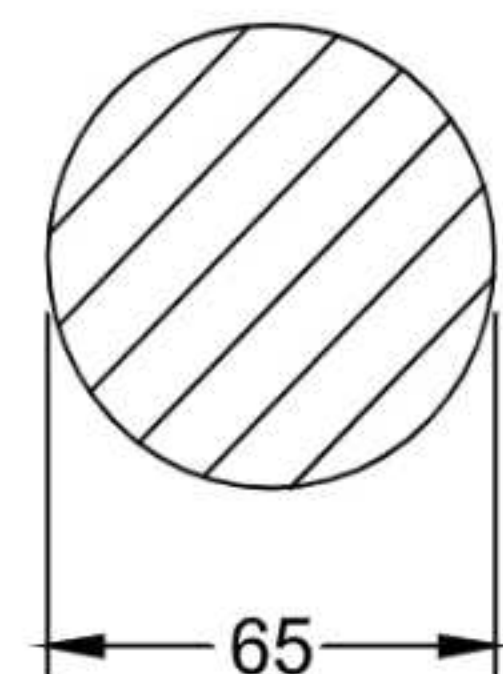
SPECIFICATION

2 Universal 6/13 Ampere Power Socket
1 USB A + C 20W PD
Charger With 3 x 1.5 mm² Cord 1.6 Meter
Ø230 x 385 mm Length
Cut Out Size - Ø65 mm

- MX 7080 - BLACK
- MX 7080A - WHITE
- MX 7080B - SILVER



| MX No. | Universal or Indian Socket | USB A+C 30 W PD | HDMI or Cat-6 | WIRELESS CHARGING |
|--------|----------------------------|-----------------|---------------|-------------------|
| 7078 | 2 | - | - | - |
| 7079 | 1 | 1 | - | - |
| 7080 | 2 | 1 | - | - |



Power Post Push-Up Wireless

The Power Post Push-Up Wireless includes 15W wireless charging, offering a convenient, cable-free power solution. Featuring a hydraulic bar mechanism for effortless pop-up functionality, it activates with a simple press. This innovative design combines universal electrical outlets with efficient charging options, making it perfect for compact spaces. With a sleek 65mm diameter, it seamlessly raises or lowers as needed. It offers comprehensive connectivity with USB-A ports, a 20W USB-C port with Power Delivery for rapid charging, HDMI 4K, and RJ-45 sockets. This compact, retractable solution is ideal for powering devices in homes, offices, and commercial settings.

SPECIFICATION

2 Universal 6/13 Ampere Power Socket
 1 USB A + C 20W PD Charger
 1 Top Wireless Charger 15W
 3 x 1.5 mm² Cord 1.6 Meter
 Ø230 x 385 mm Length
 Cut Out Size - Ø64 mm

- MX 7081 Qi - BLACK
- MX 7081A Qi - WHITE
- MX 7081B Qi - SILVER



SPECIFICATION

2 Universal 6/13 Ampere Power Socket
 1 HDMI (4K) W/Cable
 1 RJ-45 (CAT 6) W/Cable
 1 Top Wireless Charger 15W
 With 3 x 1.5 mm² Cord 1.6 Meter
 Ø230 x 385 mm Length
 Cut Out Size - Ø64 mm

- MX 7082 Qi - BLACK
- MX 7082A Qi - WHITE
- MX 7082B Qi - SILVER



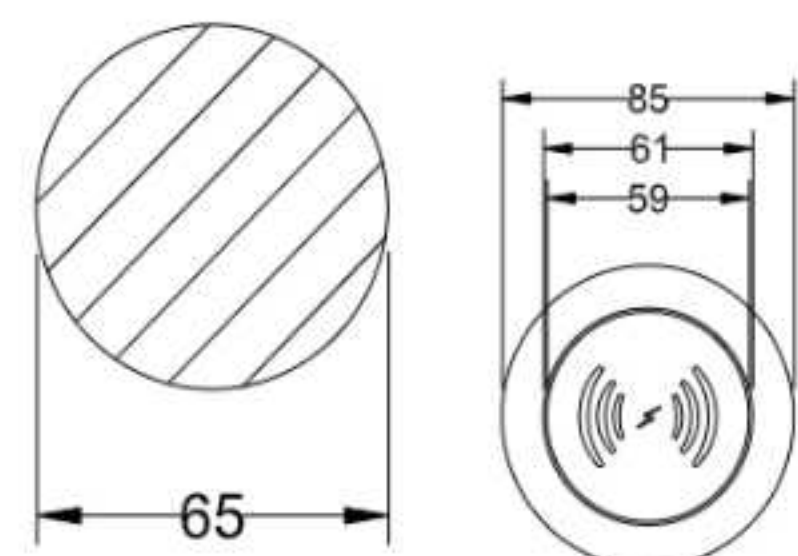
SPECIFICATION

1 Universal 6/13 Ampere Power Socket
 1 USB A + C 20W PD Charger
 1 HDMI (4K) W/Cable
 1 RJ-45 (CAT 6) W/Cable
 1 Top Wireless Charger 15W
 With 3x1.5 mm² Cord 1.6 Meter
 Ø230 x 385 mm Length
 Cut Out Size - Ø65 mm

- MX 7083 Qi - BLACK
- MX 7083A Qi - WHITE
- MX 7083B Qi - SILVER



| MX No. | Universal or Indian Socket | USB A+C 30 W PD | HDMI or Cat-6 | WIRELESS CHARGING |
|---------|----------------------------|-----------------|---------------|-------------------|
| 7081 Qi | 2 | 1 | - | Yes |
| 7082 Qi | 2 | - | 1 | Yes |
| 7083 Qi | 1 | 1 | 1 | Yes |

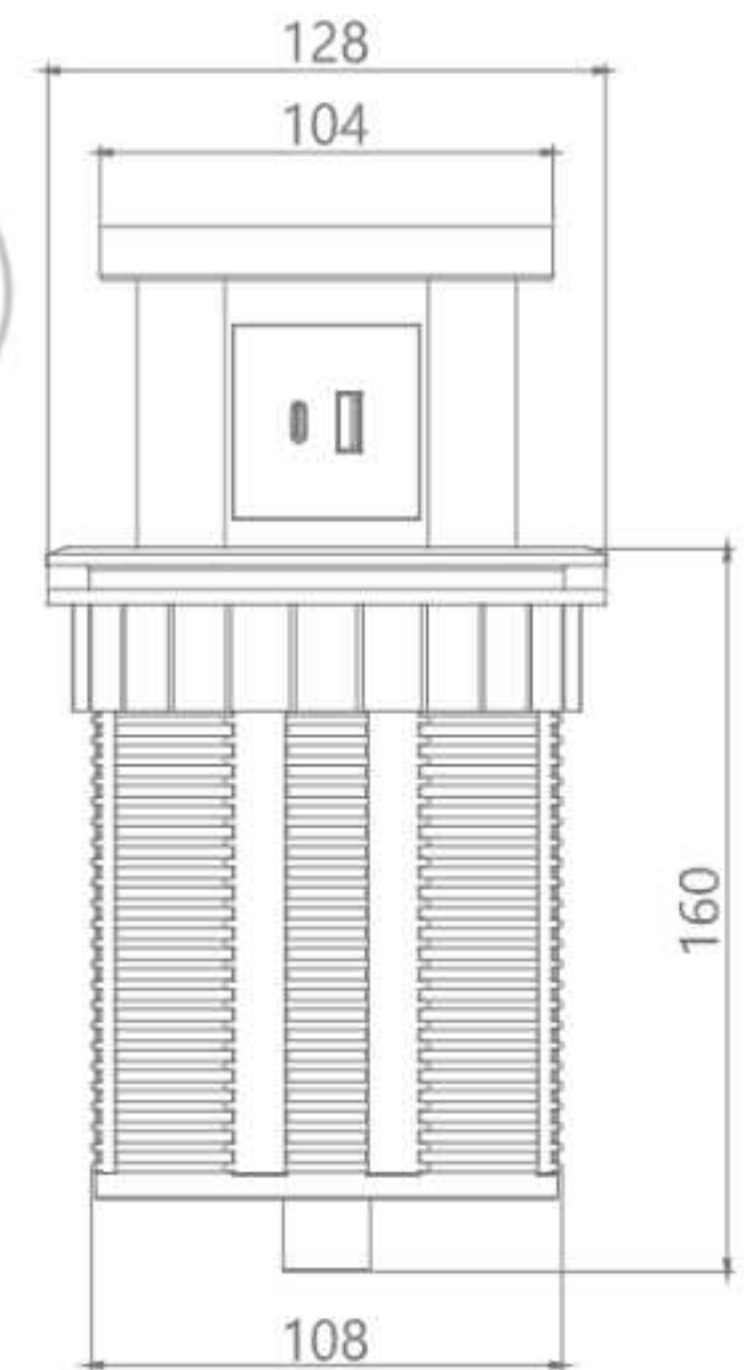


Power Post Push-Up Wireless

The Power Post comes with a hydraulic bar pop-up mechanism, simply push the top panel to pop the unit up for use. A unique product for electrical outlets and charging electronic devices, by using patch cord or wireless. The wireless feature is compatible with all devices that comply with Qi standards. This product delivers 3 universal electrical receptacles, 1 USB A type & 1 USB C type with power delivery 20 Watts and a wireless charger on top

SPECIFICATION

Rated Voltage : 250V~ Single Phase
Rated Current : 6-13A
Universal Sockets : 6/10/13Amps x 3
USB Charger : 1 USB ports A type 20 Watts (Single Use)
USB Charger : 1 USB ports C type 20 Watts (Single Use)
Wireless Charger : 15 Watts
Material : Polycarbonate
Finish Colors : Glass Black
Wiring: 3 x 1mm² Cable 1.5 meter with 6 Amps Plug.
Standard pack : Locking clasp ring.
Dimension : Ø 128 mm x 160 mm
Cutout Dimension: Ø 110mm



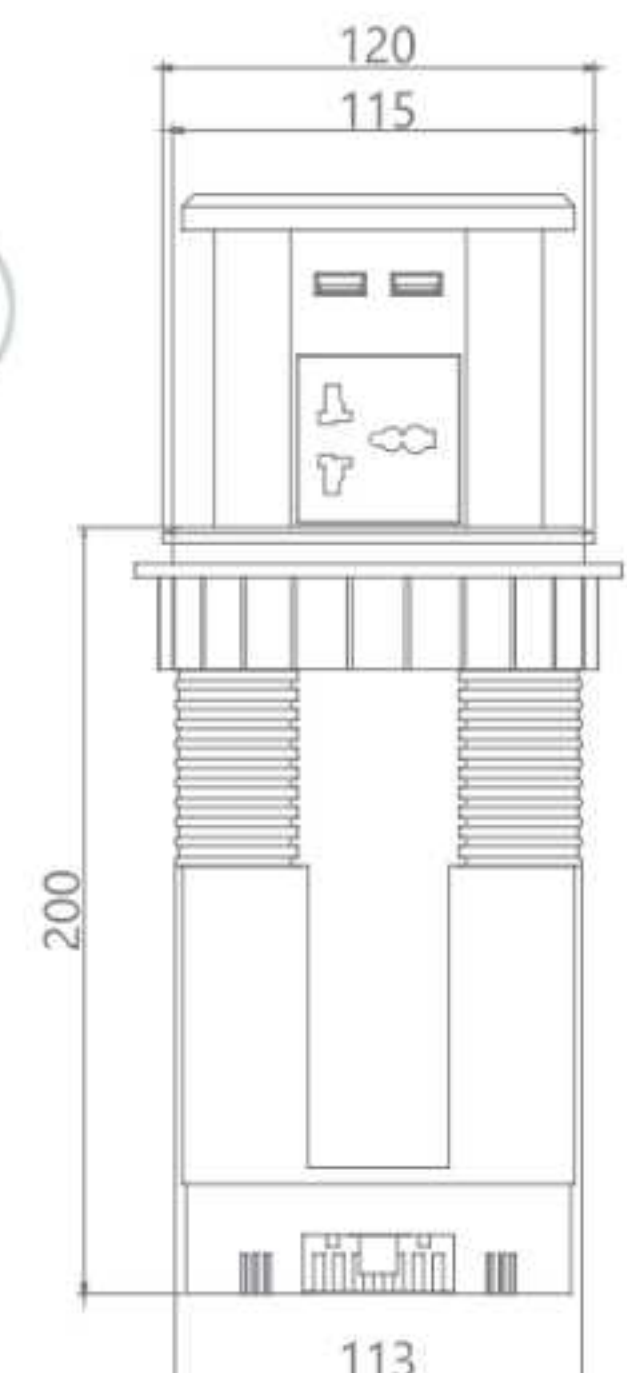
GLASS BLACK
MX 7011

Power Post Touch-Up Wireless Feather Touch Light

The Power Post sets itself apart with its unique touch-activated pop-up mechanism, allowing you to easily access power by simply "figuring touching" the switch icon on the top panel. This innovative unit combines both wired and wireless charging capabilities, featuring four universal electrical outlets, two high-power USB-A ports (3.0Amps), two USB-C ports with Power Delivery (30W), and a Qi-compatible wireless charging pad on top (15W). Its compact, retractable design, built from durable engineered polycarbonate, makes it the perfect multi-functional solution for charging multiple devices at home, offices, and commercial counters, maintaining a clean and organized workspace.

SPECIFICATION

Rated Voltage : 250V~ Single Phase
Rated Current : 6-13A
Universal Sockets : 6/10/13Amps x 4
USB Charger : 2 USB ports A type 20 Watts (Single Use)
USB Charger : 2 USB ports C type 20 Watts (Single Use)
Wireless Charger : 15 Watts
Material : Polycarbonate
Finish Colors : Glass Black
Wiring: 3 x 1mm² Cable 1.8 mtrs with 6 Amps Plug.
Standard pack : Locking clasp ring.
Dimension : Ø 145 mm x 120 mm
Cutout Dimension: Ø 120mm



GLASS BLACK
MX 7012

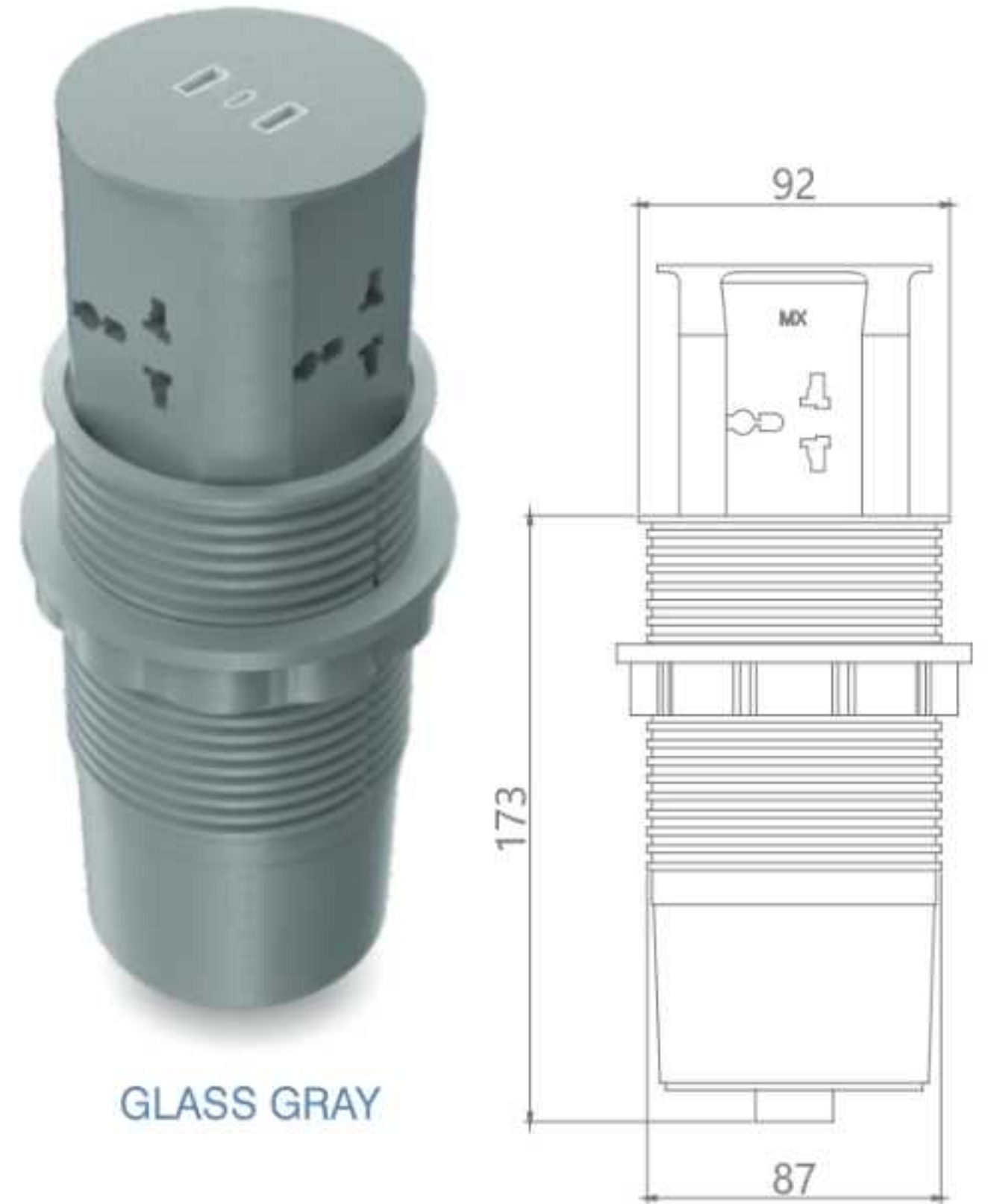
Furniture Nested Power Receptacles

Furni Nested Power Receptacles with a hydraulic bar pop-up mechanism discreetly integrate power and charging solutions into your furniture without compromising its design aesthetic. The customizable surround frame blends seamlessly with your décor, ensuring a perfect match. This versatile product offers universal power sockets, fast-charging USB-C and USB-A ports (30W total PD), and optional Cat6 data or HDMI ports to cater to your connectivity needs.

SPECIFICATION

- Rated Voltage : 250V~ Single Phase
- Rated Current : 6-13A
- Universal Sockets : 6/10/13Amps x 4
- USB Charger : 2 USB ports A type 15 Watts (Single Use)
- USB Charger : 1 USB ports C type 15 Watts (Single Use)
- USB Volt/Current : 5V/3.1Amps
- Material : Polycarbonate
- Finish Colors : MX 7010 - Glass Silver Grey,
MX 7010A - Glass Black & MX 7010B - Glass White
- Wiring : 3 x 1 mm² Cable 1.8 meter with 6 Amps Plug.
- Standard pack : Locking clasp ring.
- Dimension: Ø 92 mm x 173 mm
- Cutout Dimension: Ø 90 mm

- MX 7010
- MX 7010A
- MX 7010B



Furniture Push-Up Mini Wireless

The Power Post boasts a hydraulic bar pop-up mechanism for easy activation by simply pushing the top panel. This versatile product caters to your wireless charging needs, featuring a 15W Qi-compatible wireless charging pad on top. Additionally, it offers convenient charging options for wired devices with a 15W USB-A port and a 20W USB-C port with Power Delivery. The compact, retractable design, crafted from high-grade engineered polycarbonate, makes it multi-functional and ideal for charging various devices at home and office, ensuring a clean and organized workspace.

- Spring-Loaded Pop-Up Mechanism
- Wireless Charging
- Versatile Wired Charging Options
- Compact and Retractable Design

SPECIFICATION

- Rated Voltage : 250V—Single Phase
- USB Charger : USB C 20W + A 18W Ports
- Wireless Charger : 15W
- Material : Polycarbonate
- Finish Colors : White
- Wiring : DC 24V (Max) 5.5 X 2.1 mm
- Standard pack : With Adaptor
- Dimension : 75mm x 113 mm
- Cutout Dimension : Ø 62 mm





Solo Power Manager

The Solo Power Manager is a compact, single-outlet power solution designed to enhance any solo workspace. It offers a universal electrical receptacle, fast-charging USB-A and USB-C ports (30W total), Cat 6 networking, and an HDMI port, making it ideal for home offices, studios, study tables, bedside tables, leisure sofas, and more. This versatile unit can be panel-mounted to any surface, bringing essential power and connectivity right where you need it.



SPECIFICATION

Rated Voltage : 250V~Single phase

Rated Current : 6-13 Amperes (Max)

USB Charger : A+C 18, 30 PD Watts

Material : Polycarbonate

Finish Colors : Black & Silver

Wiring : Pre -Wired 300mm Cable With Screwless Connector

Configuration

1 Universal Socket ,

1 USB A+ C 30W Fast Charging,

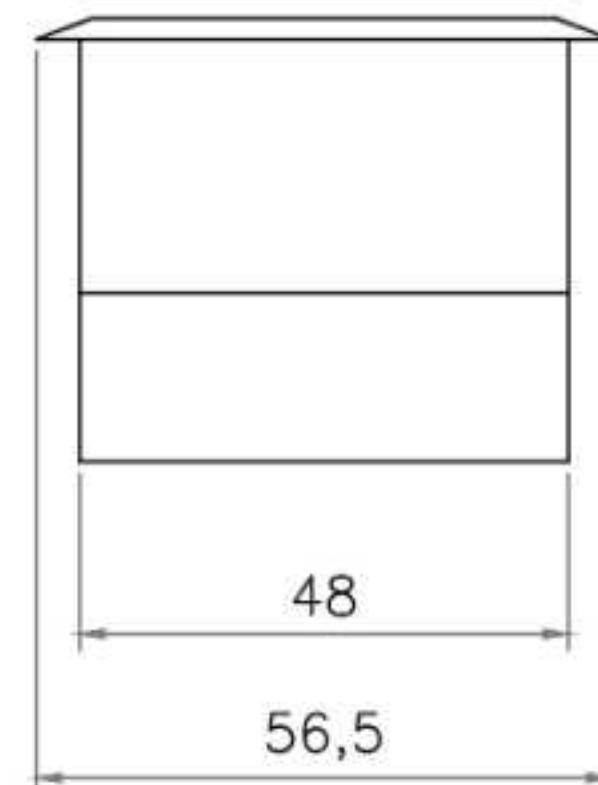
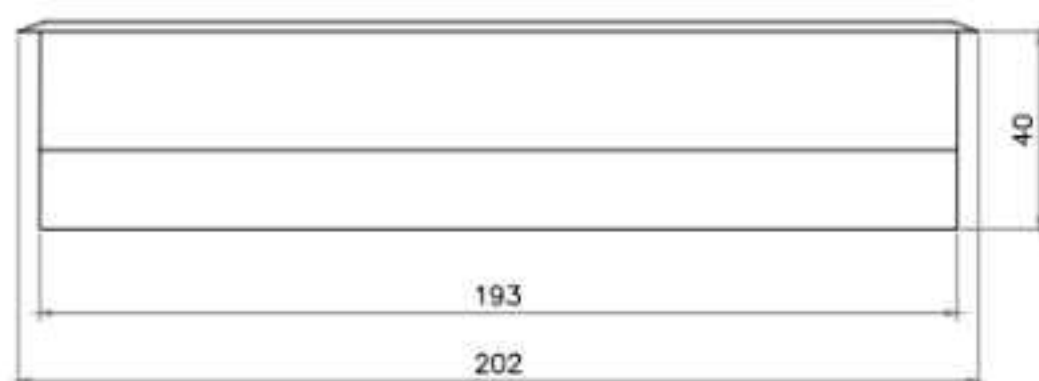
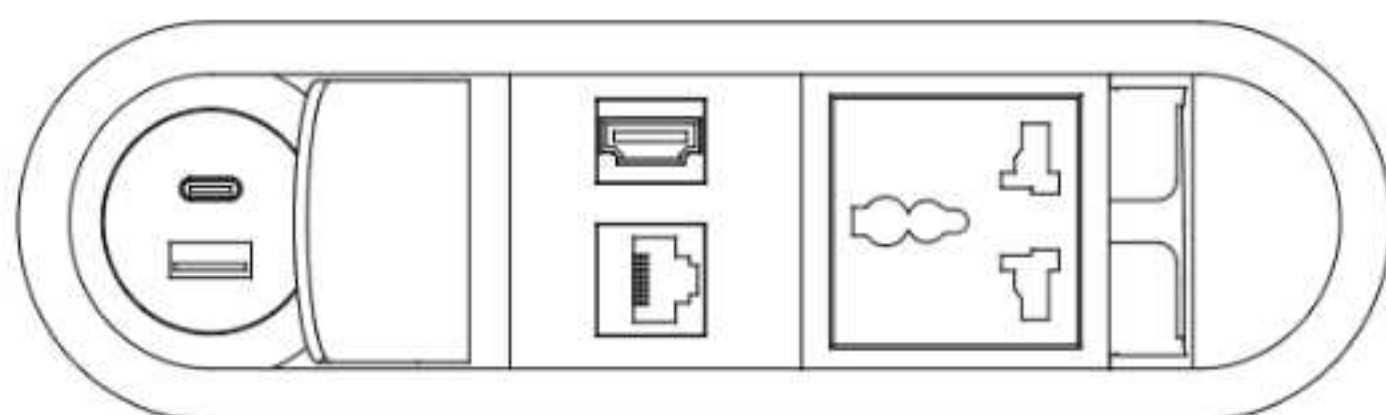
1 Cat 6 & 1 HDMI

Dimension: 202 X 58 X 45 MM

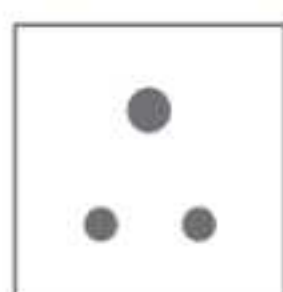
Cutout Dimension: Cut Size - 195 X 50 (R-25)MM

Customized : Upon Request

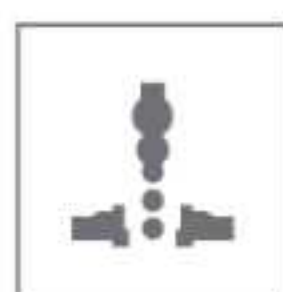
| MX No. | Universal Socket 6-13 Amperes | 2 USB A + C 30 Watts | Data Cat OPTIONAL | HDMI 4K | Silver | Black | Dimensions (mm) | Cutout (mm) |
|-----------------|-------------------------------------|----------------------------|-------------------------|------------|--------|-------|--------------------|----------------|
| 7014 | 1 | 1 | 1 | 1 | -- | Yes | 202 x 56.5 x 48 | 195 X 50 |
| 7014 A (Silver) | 1 | 1 | 1 | 1 | Yes | -- | 202 x 56.5 x 48 | 195 X 50 |



Customized Multimedia & Sockets on Request :



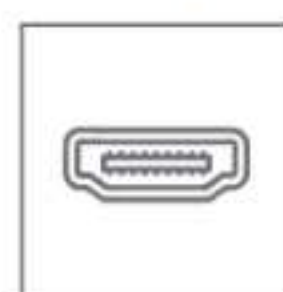
INDIAN
SOCKET
6 AMP



UNIVERSAL
SOCKET
6 / 13 AMP



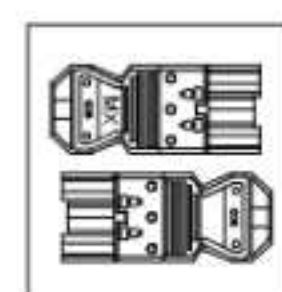
USB A+C
SOCKET
18W (3.1Amp)
30W PD (5Amp)
30 W PD GaN Charger



HDMI 4K
SOCKET



RJ - 45
(Cat-6 / Cat-6A)
RJ - 11 Cat-3
Tel Socket



GST
MALE / FEMALE
CONNECTORS

Furniture Nested Power Receptacles

Furniture Nested Power Receptacles discreetly integrate power and charging solutions into your furniture without compromising the design aesthetic. The customizable surround frame blends seamlessly with your décor, ensuring a perfect match. This versatile product offers universal power sockets, fast-charging USB-C and USB-A ports (30W total PD), and optional Cat6 data or HDMI ports, catering to your connectivity needs.

MX 7015



MX 7016

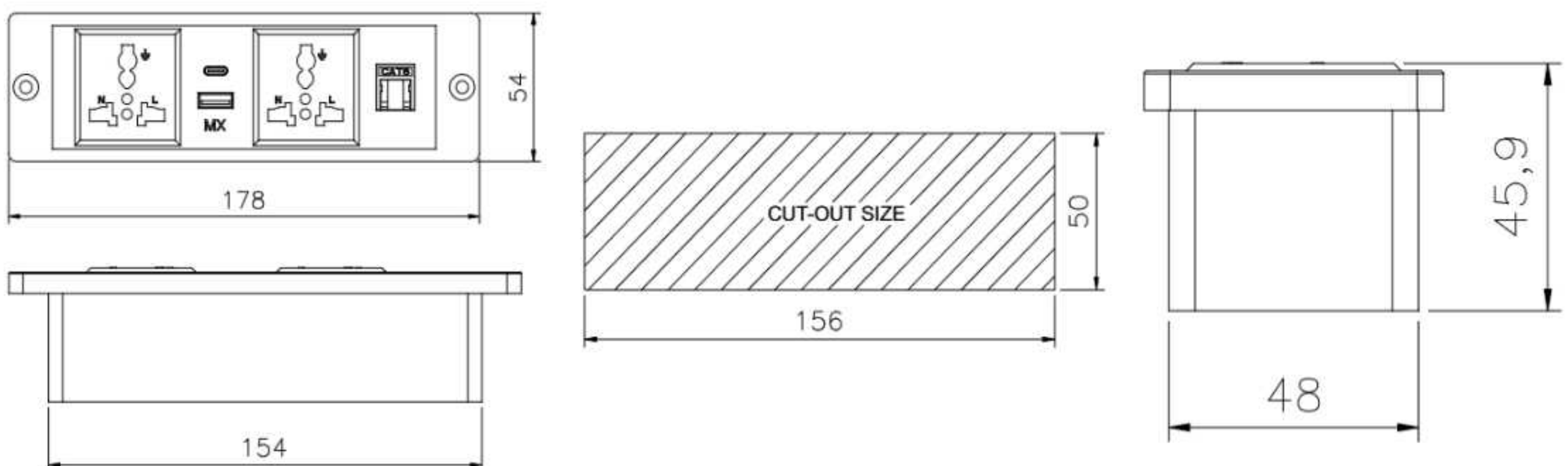
SPECIFICATION

Rated Voltage : 250V~Single Phase
 Rated Current : 10 Amperes (Max)
 USB Charger : USB C+ A Ports PD 18-30 Watts
 Material : Polycarbonate
 Finish Colors : Surround Frame
 Black / Silver / Wooden
 Customized Finish : Available upon request

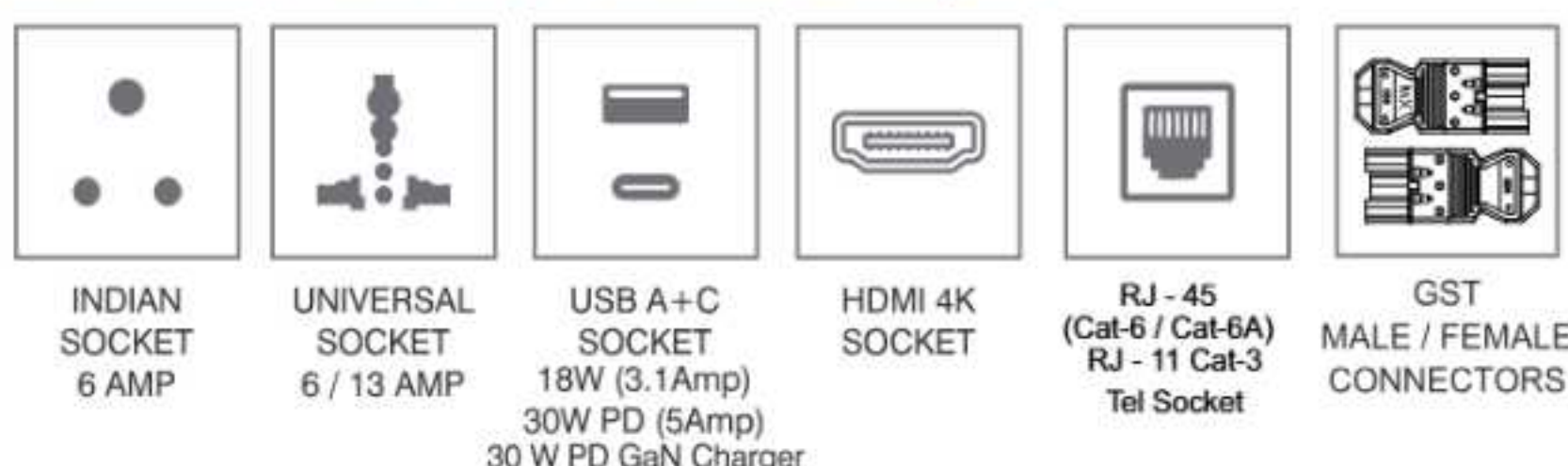
Wiring : Pre -Wired 300mm Cable With Screwless Connector
 Standard pack : With Surround Plate
 Standard Configuration: 2 Universal Sockets & USB Charger, A+C PD 18-30 Watts, Cat 6 / Cat 6A or HDMI (Optional)
 Dimension : 182mm x 57.5mm x 43mm
 Cutout Dimension: 156mm x 50mm

| MX No. | Colors | Universal Socket 6-13 Amperes | USB A & C 30 Watts | CAT 6 OR HDMI | Dimensions (mm) | Cutout (mm) |
|--------|--------------------------|-------------------------------------|-----------------------|---------------------|--------------------|----------------|
| 7015 | Receptacles Black | 02 | Yes | Yes | 182 x 58 x 43 | 156 x 50 |
| 7016 | Receptacles Silver Decor | 02 | Yes | Yes | 182 x 58 x 43 | 156 x 50 |

Note : CAT 6 / CAT 6A or HDMI Port Optional



Customized Multimedia & Sockets on Request :





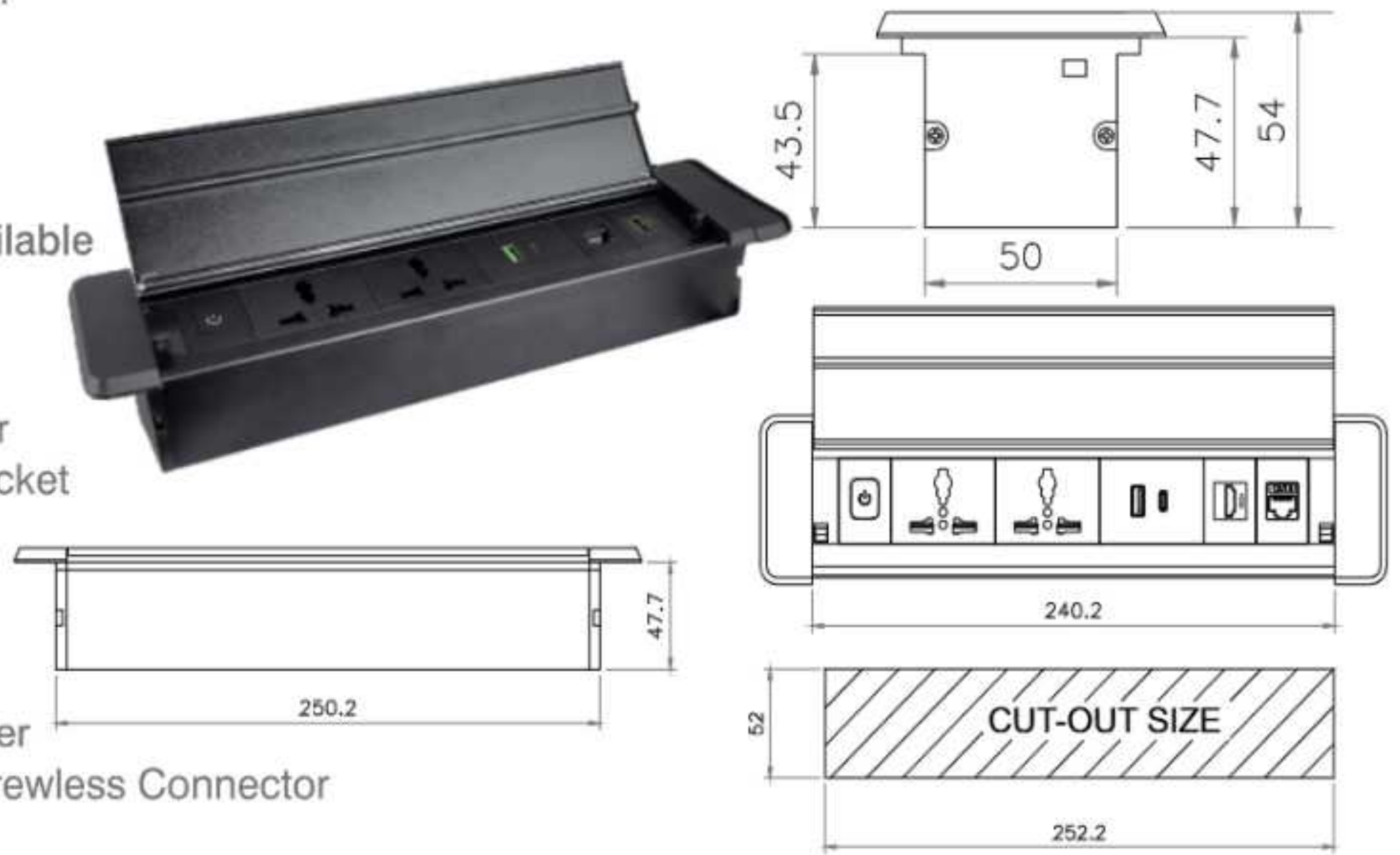
Flip Top Push

The MX Flip Top Push is a sleek and versatile solution that powers workspaces easily and efficiently. With a simple press, the flap opens seamlessly to reveal a range of connectivity options. It features 2 universal or Indian sockets, USB-A + USB-C ports offering charging options from 12W to 30W with GaN support, along with RJ-45 (CAT-6) and HDMI 4K connectivity. An integrated 6 Amp switch adds convenience, making this unit ideal for powering, charging, and connecting in professional or personal work environments.

- Effortless Access
- Comprehensive Ports
- Integrated Control
- Customizable Sizes Available

Configuration

2 Universal 6/13 Ampere Or
Indian 6 Ampere Power Socket
1 USB A + C
1 RJ-45 (CAT 6)
1 HDMI (4K)
Switch 6 Ampere
Finish Colors : Black & Silver
Pre Wired 300 mm with Screwless Connector



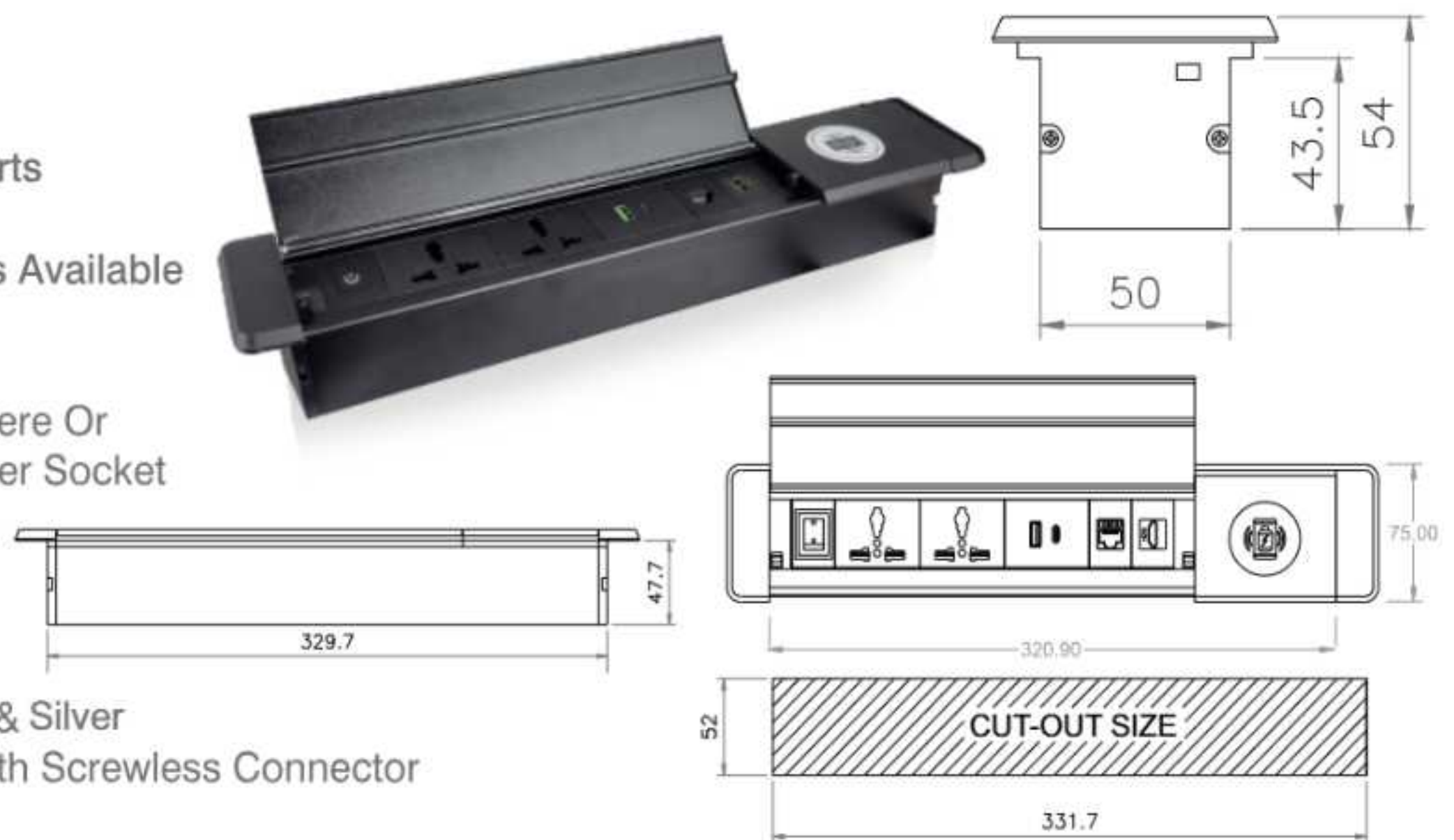
Flip Top Push Wireless

The MX Flip Top Push wireless is a sleek and versatile solution that powers workspaces with ease and efficiency. It features 15W wireless charging for fast, cable-free convenience. With a simple press, the flap opens seamlessly to reveal a range of connectivity options, including 2 universal or Indian sockets, USB-A + USB-C ports with charging options from 12W to 30W and GaN support, as well as RJ-45 (CAT-6) and HDMI 4K connectivity. An integrated 6 Amp switch adds to its functionality, making it ideal for powering, charging, and connecting in professional or personal work environments.

- Wireless charging
- Effortless Access
- Comprehensive Ports
- Integrated Control
- Customizable Sizes Available

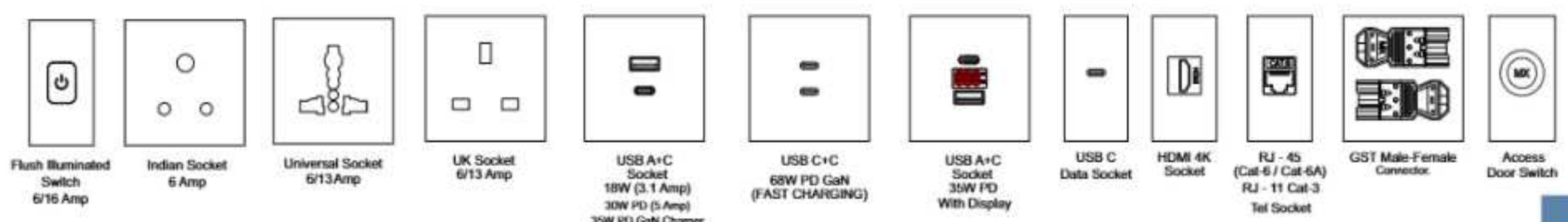
Configuration

2 Universal 6/13 Ampere Or
Indian 6 Ampere Power Socket
1 USB A + C
1 RJ-45 (CAT 6)
1 HDMI (4K)
Switch 6 Ampere
Finish Colors : Black & Silver
Pre Wired 300 mm with Screwless Connector



| MX No. | Universal or Indian Socket | USB A+C | HDMI 4K | RJ-45 Cat 6 | WIRELESS CHARGING | Silver or Black |
|---------|----------------------------|---------|---------|-------------|-------------------|-----------------|
| 7105 | 2 | 1 | 1 | 1 | - | Yes |
| 7106 Qi | 2 | 1 | 1 | 1 | 1 | Yes |

Customized Multimedia & Sockets on Request :



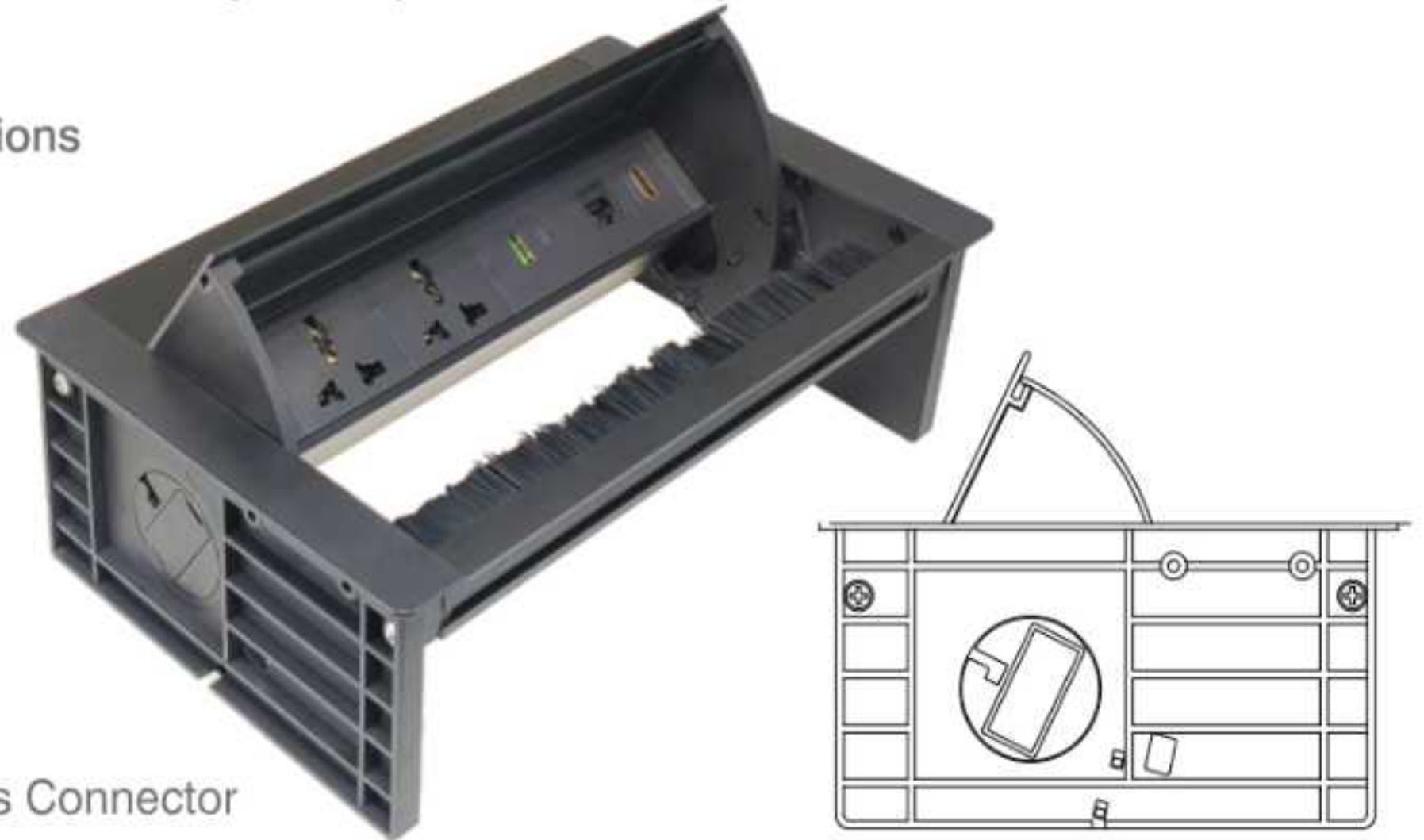
Aero Flip

The MX Aero flip is a sophisticated and versatile solution designed to streamline workspace power and connectivity needs. With a simple press, its flap opens seamlessly to reveal an array of features, including 2 universal or Indian sockets, USB-A and USB-C ports supporting 12W to 30W charging with GaN technology, as well as RJ-45 (CAT-6) and HDMI 4K connectivity. This innovative unit is ideal for efficient powering, charging, and connectivity in both professional and personal environments.

- Seamless Access
- Comprehensive Charging Options
- Versatile Connectivity
- Customizable Sizes Available

Configuration

2 Universal 6/13 Ampere Or
Indian 6 Ampere Power Socket
1 USB A + C
1 RJ-45 (CAT 6)
1 HDMI (4K)
Finish Colors : Black & Silver
Pre Wired 300mm with Screwless Connector



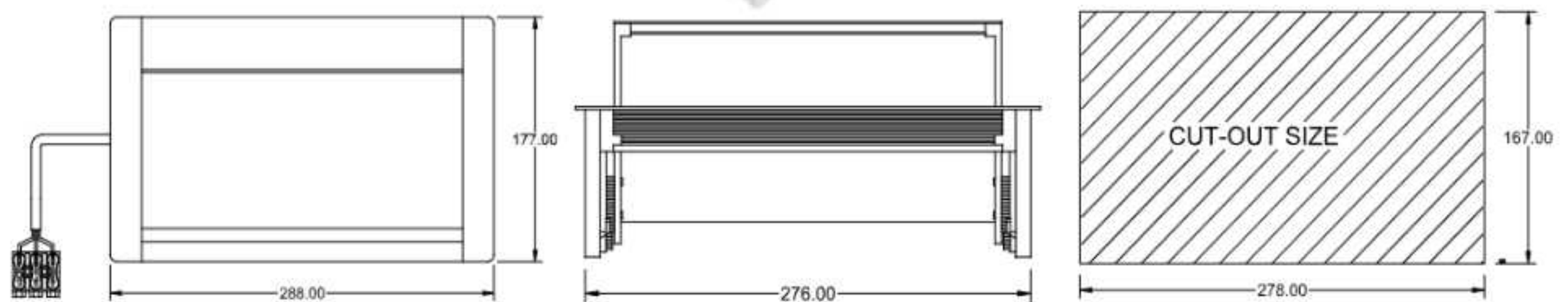
Aero Flip With GST Connector

The MX Aero flip is a sophisticated and versatile solution designed to streamline workspace power and connectivity needs. With a simple press, its flap opens seamlessly to reveal an array of features, including 2 universal or Indian sockets, USB-A and USB-C ports supporting 12W to 30W charging with GaN technology, RJ-45 (CAT-6), and HDMI 4K connectivity. Additionally, it includes GST connectors for easy integration with modular furniture systems. This innovative unit is ideal for efficient powering, charging, and connectivity in both professional and personal environments.

- GST connectors
- Seamless Access
- Versatile Connectivity
- Customizable Sizes Available

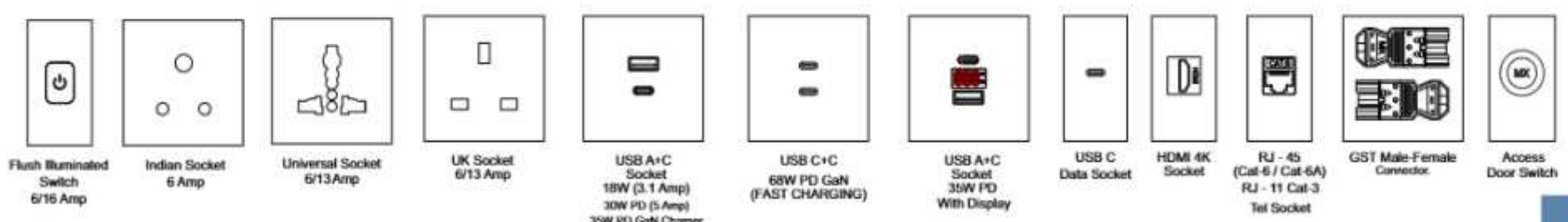
Configuration

2 Universal 6/13 Ampere Or
Indian 6 Ampere Power Socket
1 USB A + C
1 RJ-45 (CAT 6)
1 HDMI (4K)
Finish Colors : Black & Silver

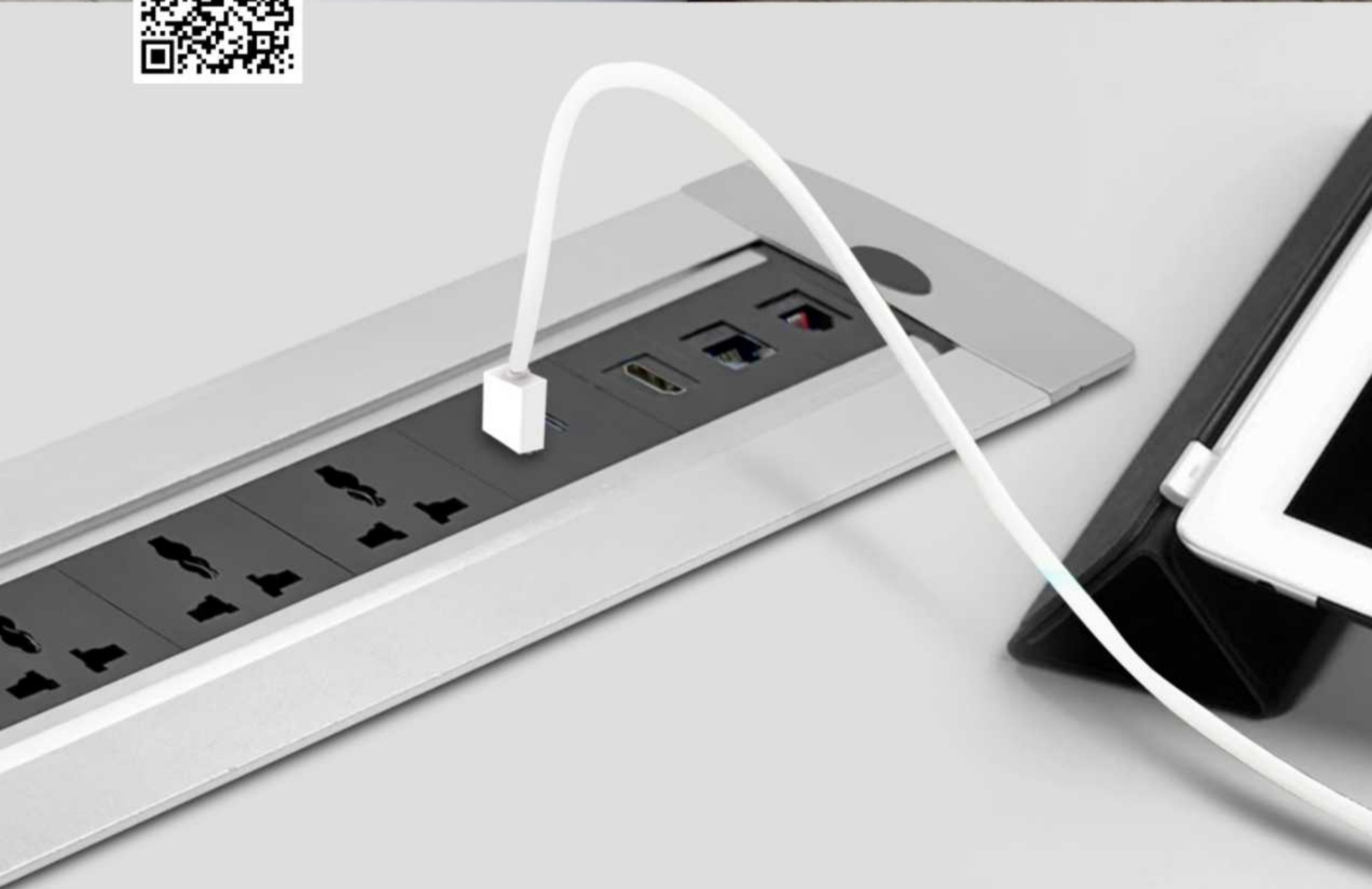


| MX No. | Universal or Indian Socket | USB A+C | HDMI 4K | RJ-45 Cat 6 | GST Connector | Silver or Black |
|--------|----------------------------|---------|---------|-------------|---------------|-----------------|
| 7103 | 2 | 1 | 1 | 1 | - | Yes |
| 7104 | 2 | 1 | 1 | 1 | 1 | Yes |

Customized Multimedia & Sockets on Request :







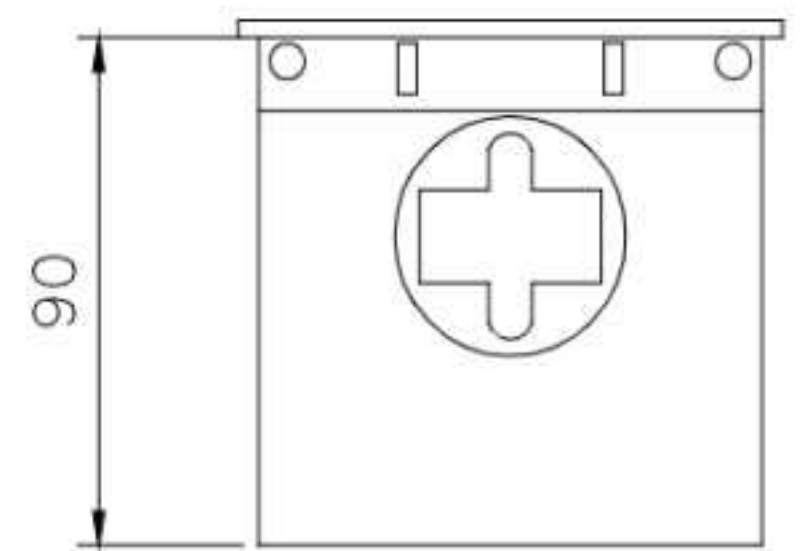
Comfort Turn Pop-up

The MX Comfort turn pop-up box features a rotating design, activated by a hidden button, allowing you to easily reveal or conceal the socket outlets. When closed, it sits flush with the surface, offering an unobtrusive look when not in use. This design simplifies installation and enhances functionality, particularly in conference and boardroom tables. Crafted from durable aluminum alloy, it includes 2 universal or Indian sockets, USB-A and USB-C ports (12W to 30W charging, GaN support), RJ-45 (CAT-6), HDMI 4K connectivity, and 2 customizable blank plates. An integrated 6 Amp switch adds convenience, making it ideal for powering, charging, and connecting in both professional and personal spaces.

- Effortless Operation
- Comprehensive Connectivity
- Durable Design
- Customizable Sizes Available

Configuration

2 Universal 6/13 Ampere or Indian 6 Ampere Power Socket
 1 USB A + C
 1 RJ-45 (CAT 6)
 1 HDMI (4K)
 2 Blank Plate
 Switch 6 Ampere
 Pre Wired 300 mm Screwless Connector



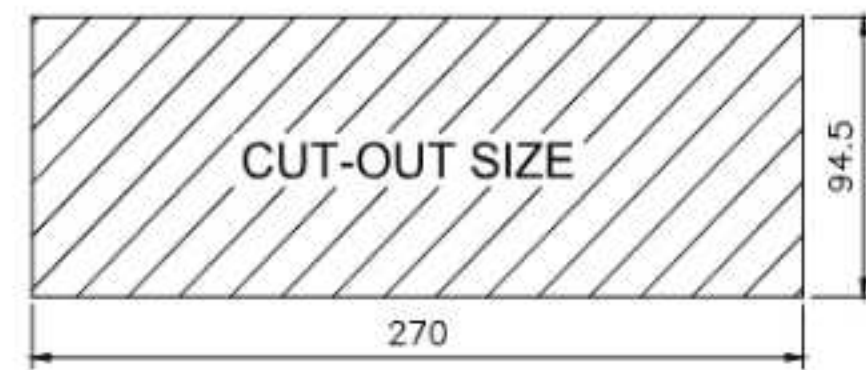
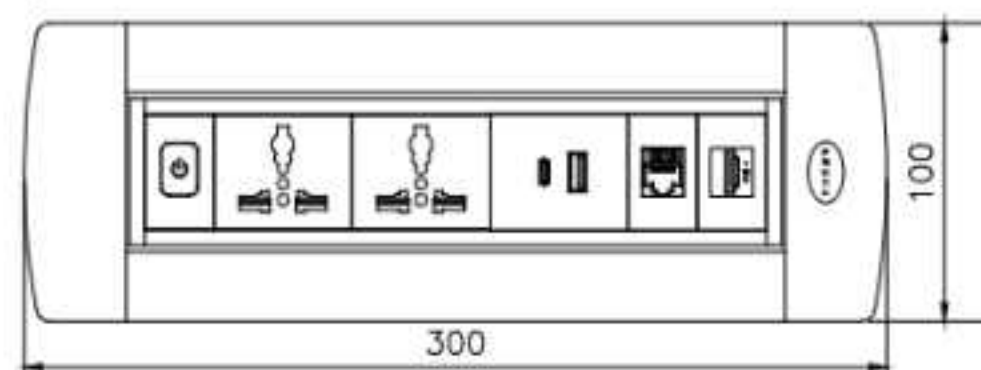
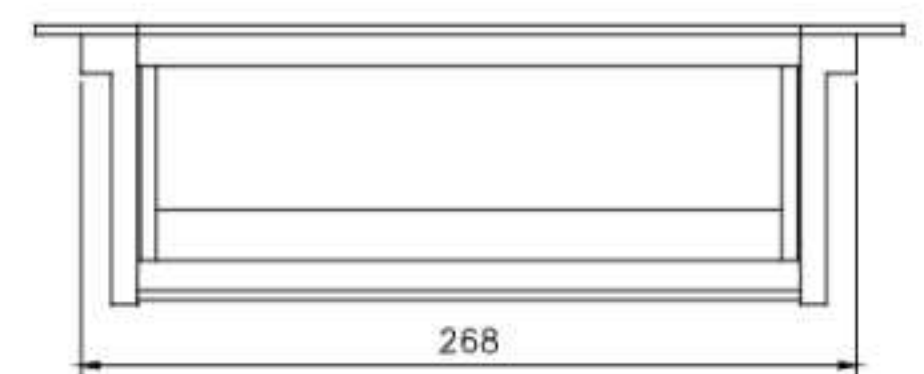
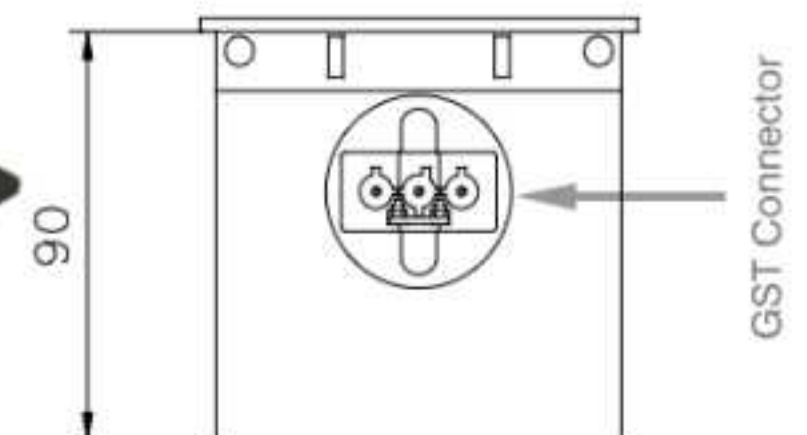
Comfort Turn Pop-up With GST Connector

The MX Comfort turn pop-up box features a rotating design, activated by a hidden button, allowing you to easily reveal or conceal the socket outlets. When closed, it sits flush with the surface, offering an unobtrusive look when not in use. This design simplifies installation and enhances functionality, particularly in conference and boardroom tables. Crafted from durable aluminum alloy, it includes 2 universal or Indian sockets, USB-A and USB-C ports (12W to 30W charging, GaN support), RJ-45 (CAT-6), HDMI 4K connectivity, and 2 customizable blank plates. An integrated 6 Amp switch & GST connectors add convenience, making it ideal for powering, charging, and connecting in both professional and personal spaces.

- GST connectors
- Effortless Operation
- Comprehensive Connectivity
- Customizable Sizes Available

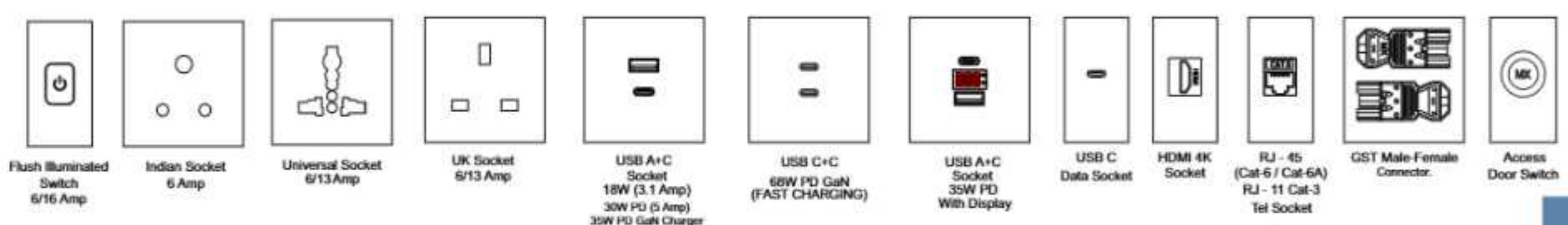
Configuration

2 UNIVERSAL 6/13 Ampere or Indian 6 Ampere Power Socket
 1 USB A + C
 1 RJ-45 (CAT 6)
 1 HDMI (4K)
 2 Blank Plate
 Switch 6 Ampere



| MX No. | Universal or Indian Socket | USB A+C | HDMI 4K | RJ-45 Cat 6 | GST Connector | Silver or Black |
|--------|----------------------------|---------|---------|-------------|---------------|-----------------|
| 7101 | 2 | 1 | 1 | 1 | - | Yes |
| 7102 | 2 | 1 | 1 | 1 | 1 | Yes |

Customized Multimedia & Sockets on Request :



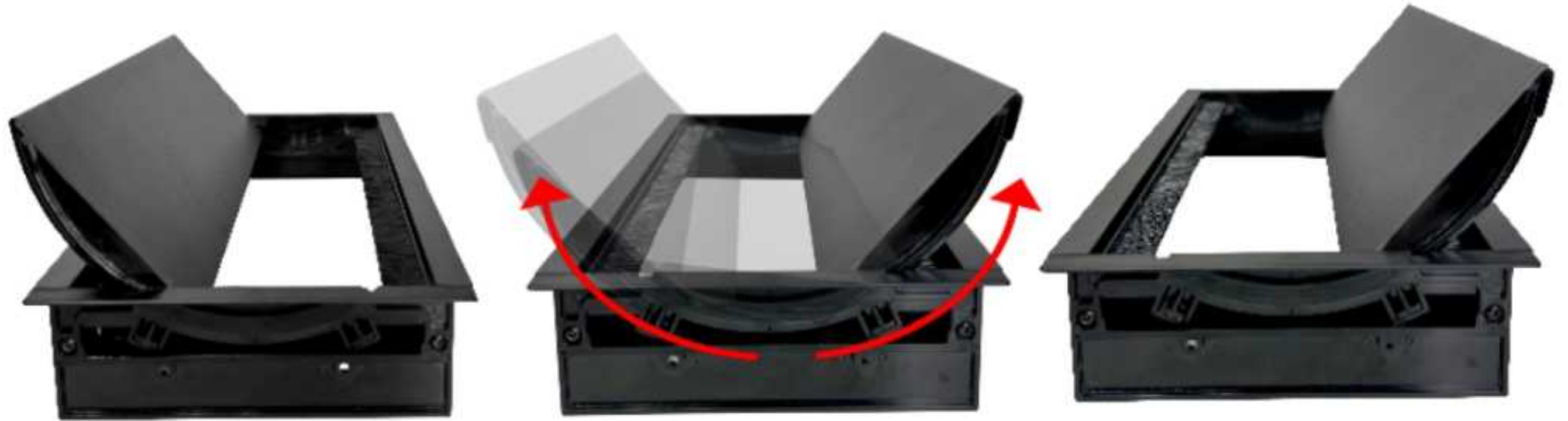
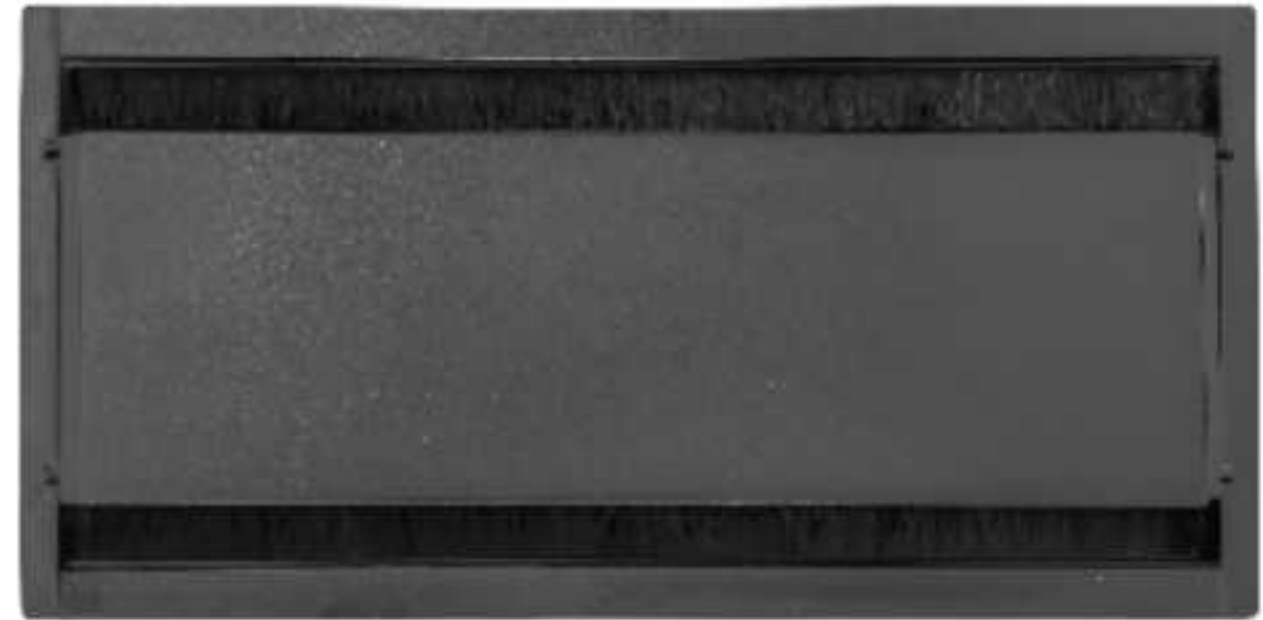


DUPLEX ACCESS FLAP WITH UNDER DESK CABLE MANAGEMENT TRAY

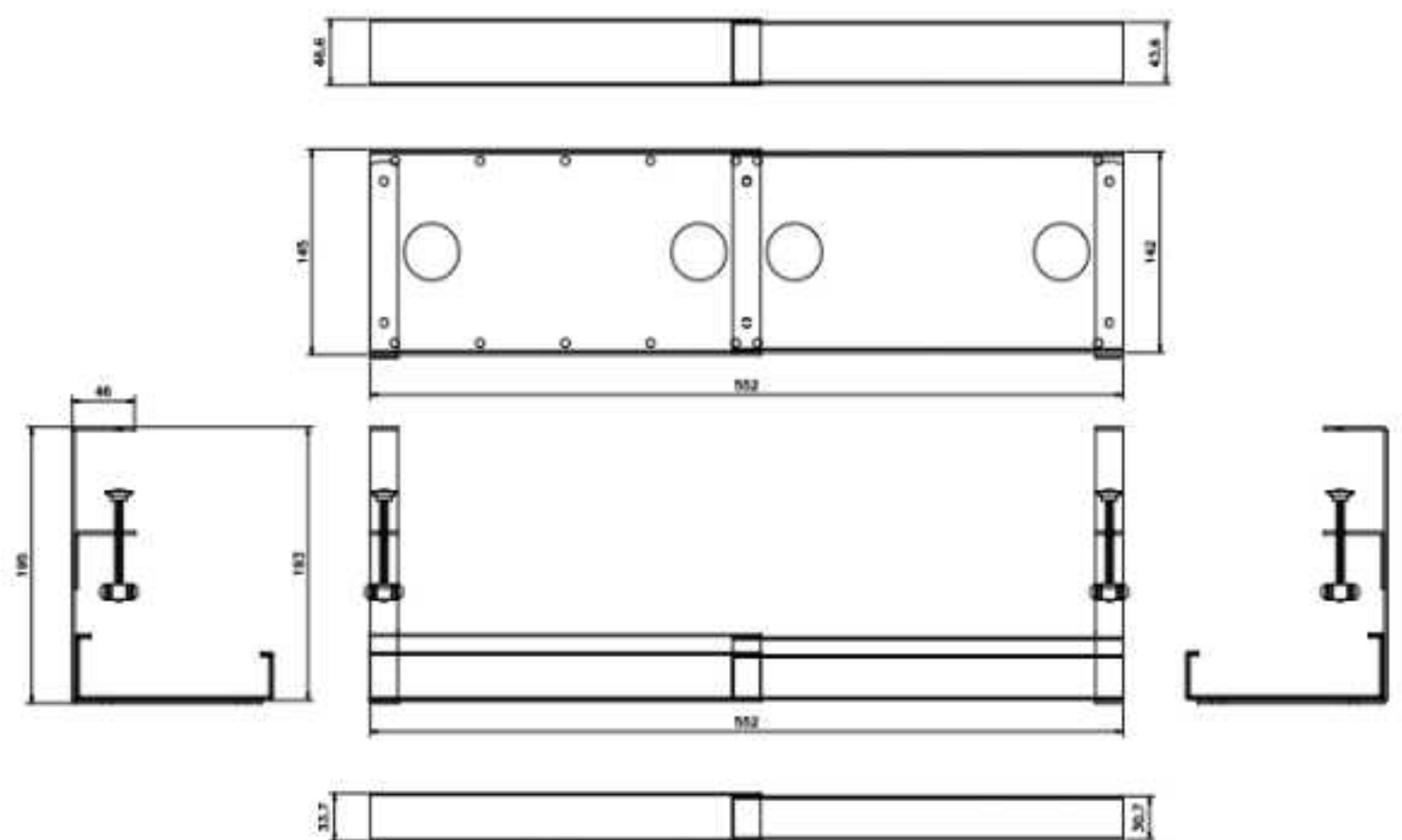
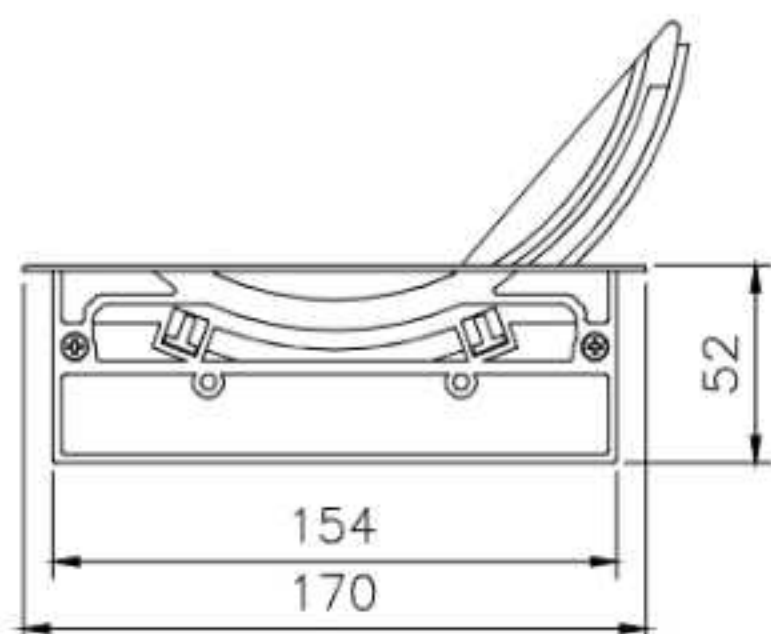
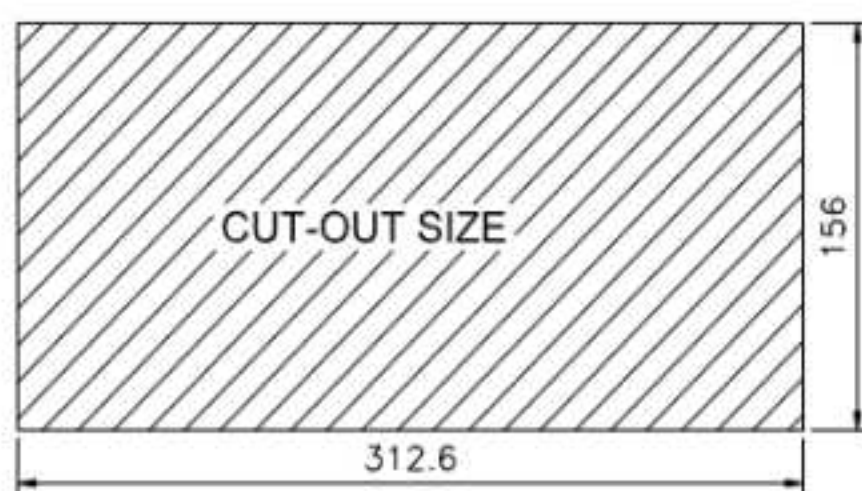
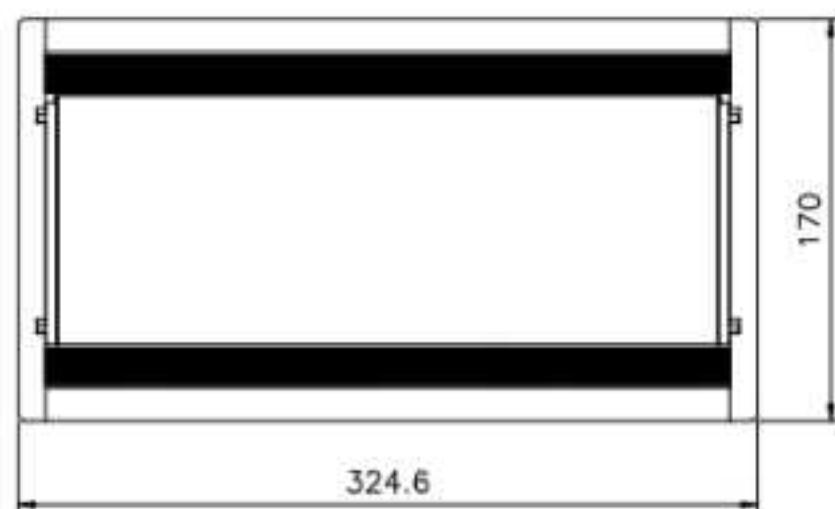
The Duplex Access flaps are designed for seamless integration and effortless access to power sources. An integrated frame and double-sided cover plate provide convenient dual-sided access, ensuring flexibility in any workspace. The inclusion of buffer-damping technology enables silent opening and closing, preserving a calm and focused environment. Compatible with integrated and bottom box configurations, these flaps are versatile and well-suited for various applications, including workstations, meeting tables, conference tables, executive desks, and classroom furniture.

- Dual-Sided Access
- Silent Operation
- Versatile Compatibility
- Customizable Sizes Available

Allow Access To Power & Data From Both Side
Finish Colors : Black & White



- MX 7107 - 300 mm
- MX 7107A - 450 mm
- MX 7107B - 600 mm

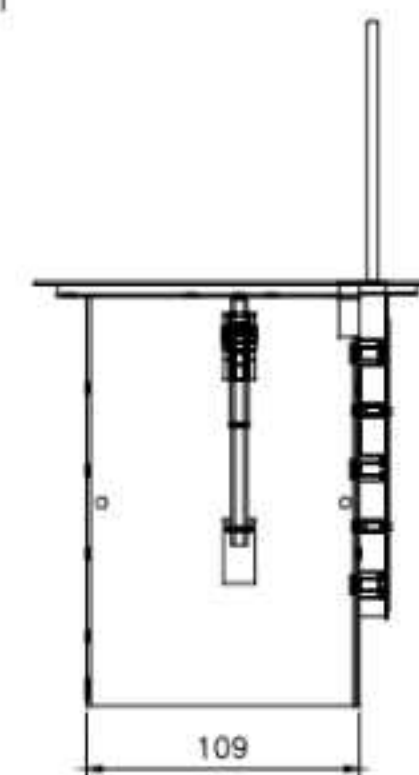
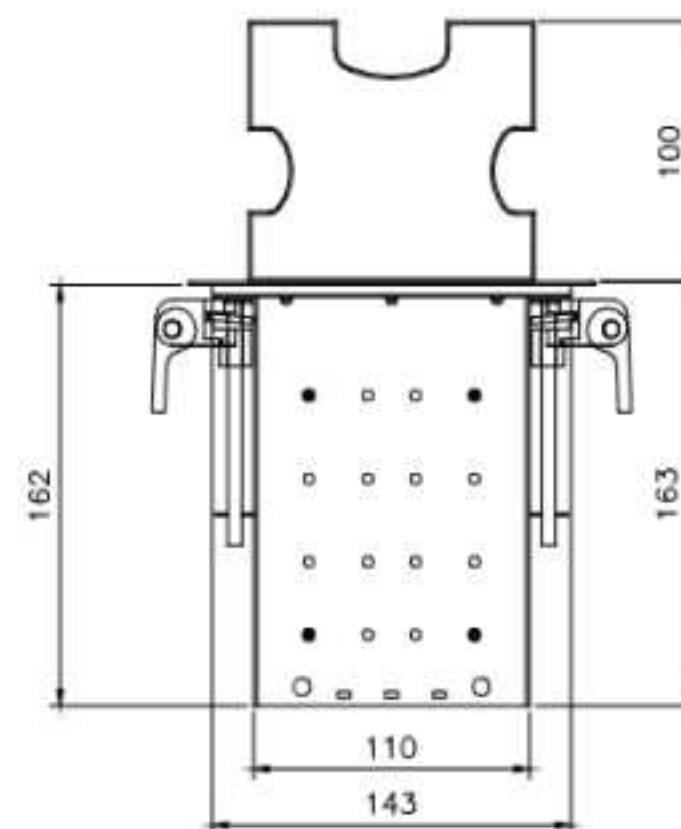
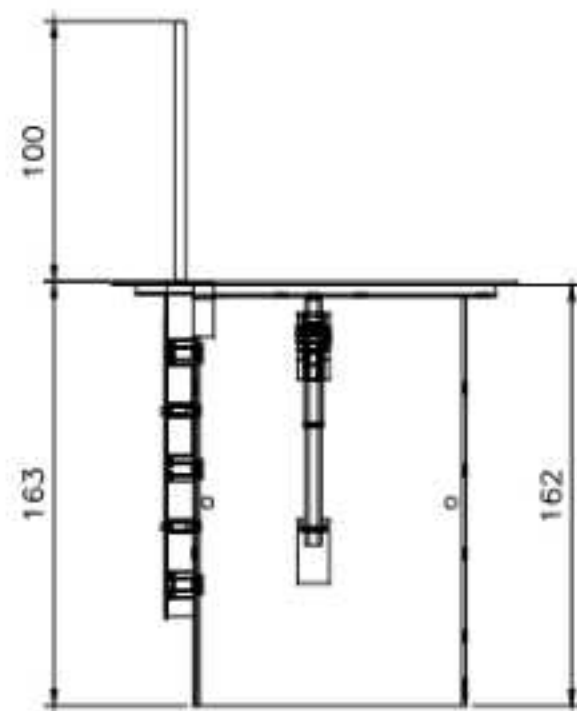
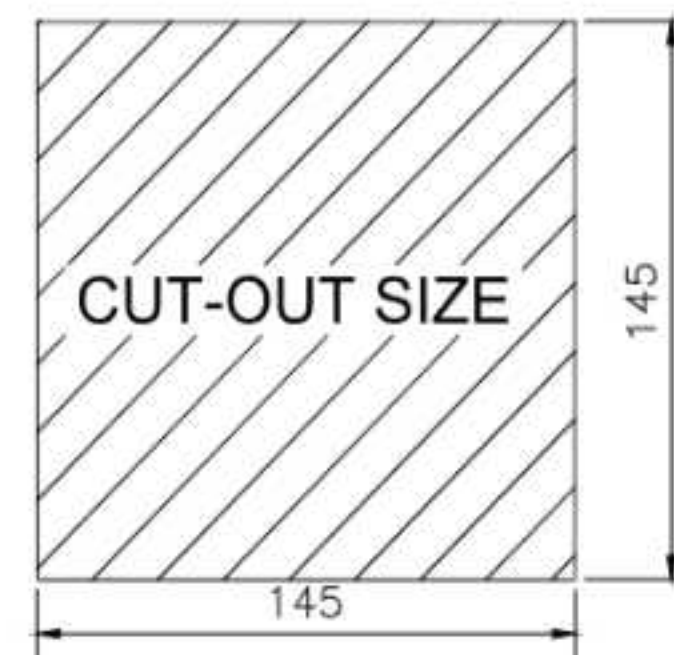
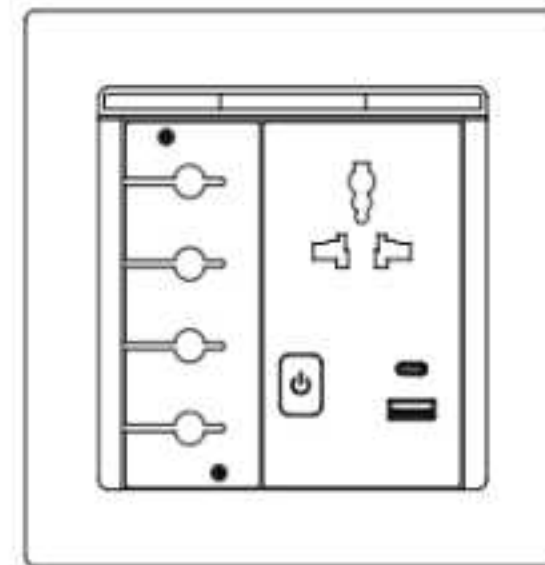
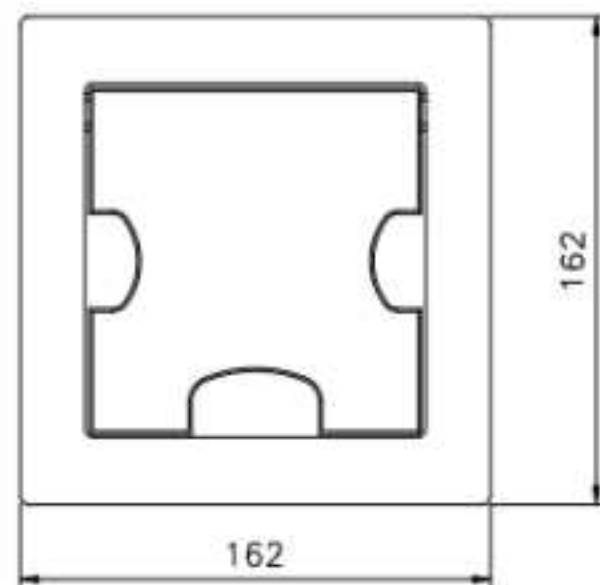




MX Cable Cubby Box

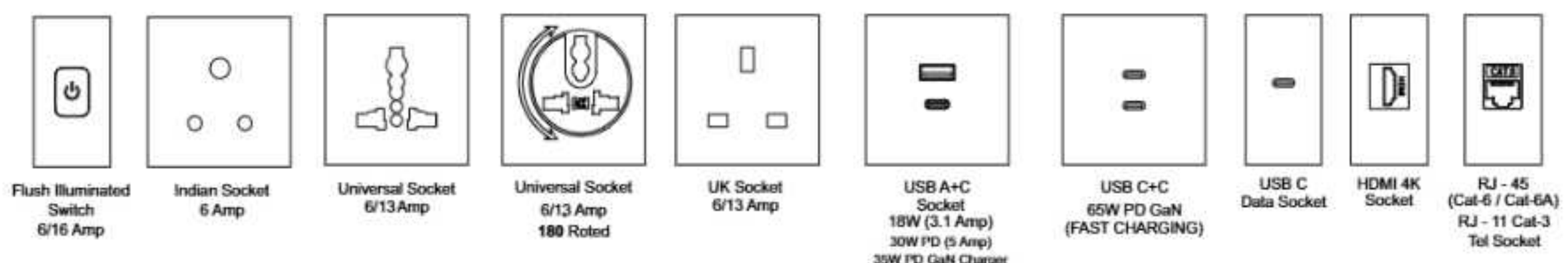
The MX Cable Cubby is ideal for furniture AV connectivity, power, and cable management. These durable, furniture-mountable enclosures integrate seamlessly with any décor and are easy to install, with many featuring a tool-free clamp system. They support MX Cable Cubby Retractor Series retraction modules and offer an optional wireless charging feature for efficient device powering. It is fully customizable in sockets and ports and is perfect for boardrooms, classrooms, and collaborative spaces. Its sleek, clutter-free design ensures easy access to power, data, and AV connections, promoting a streamlined and organized workspace.

- Effortless Access
- Flexible Customization
- Versatile Integration
- Optional Wireless Charging



| MX No. | Universal or Indian Socket | USB A+C 30 W PD | HDMI or Cat-6 | PASS THROUGH | WIRELESS CHARGING |
|-----------|----------------------------|-----------------|---------------|--------------|-------------------|
| CC 500 | 2 | - | - | 1 | - |
| CC 501 | 1 | 1 | - | 1 | - |
| CC 501 Qi | 1 | 1 | - | 1 | 1 |
| CC 502 | 2 | 1 | 1 | - | - |
| CC 502 Qi | 2 | 1 | 1 | - | 1 |

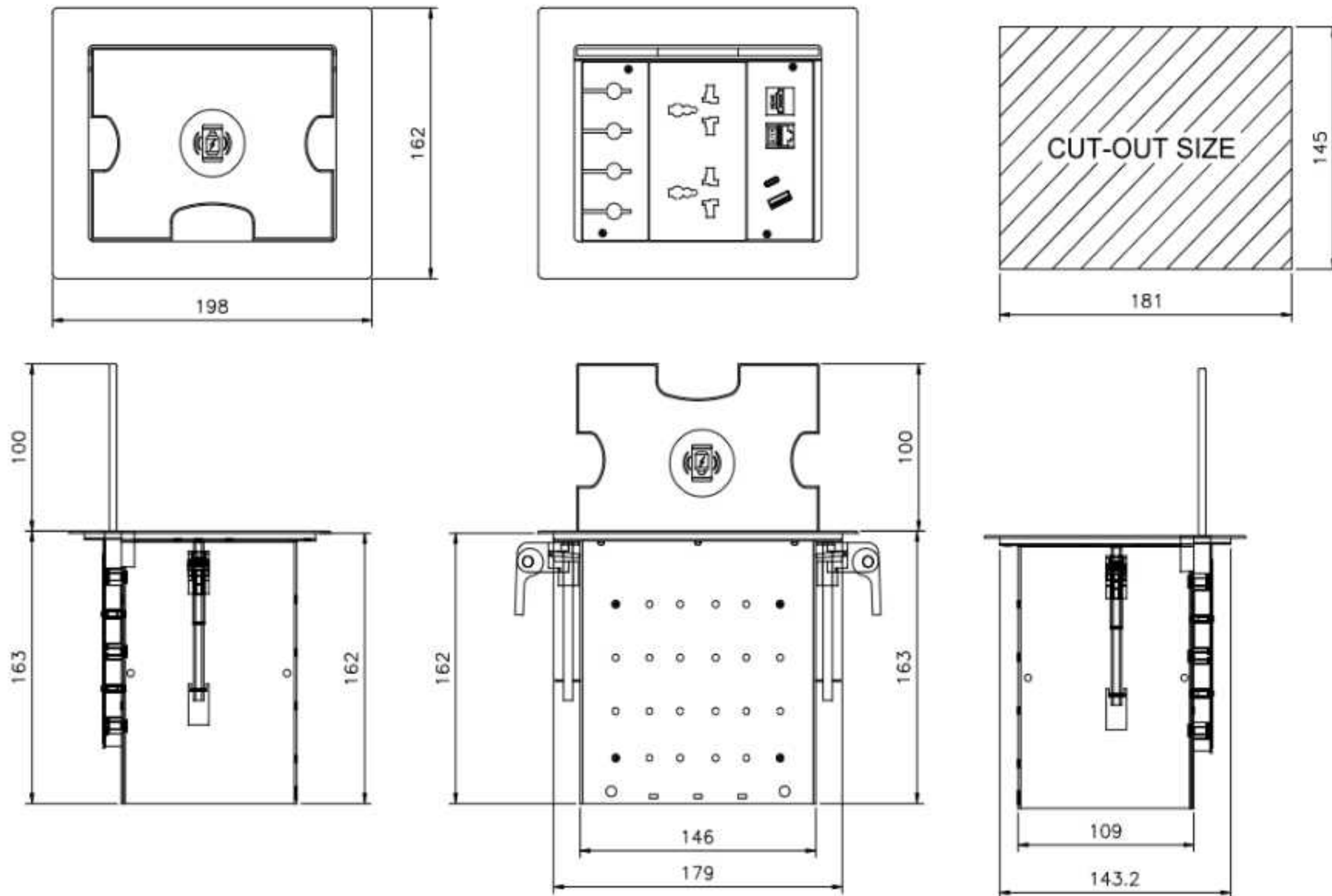
Customized Multimedia & Sockets on Request :



MX Cable Cubby Box

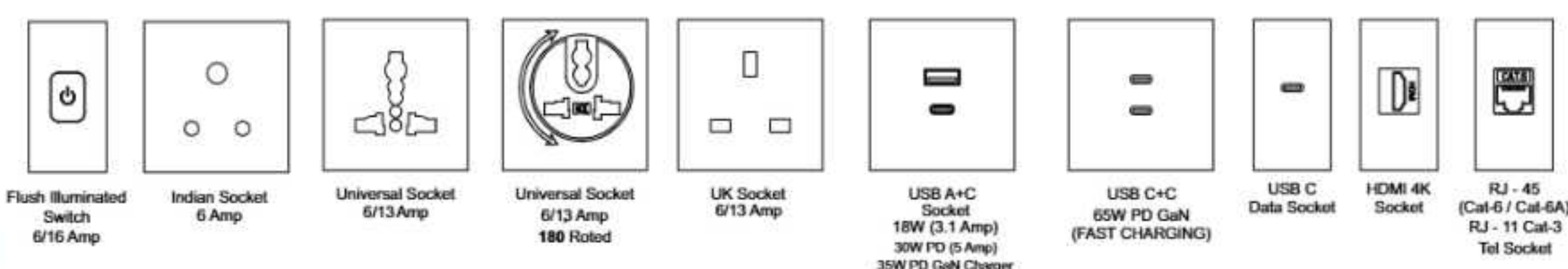
The MX Cable Cubby is ideal for furniture AV connectivity, power, and cable management. These durable, furniture-mountable enclosures integrate seamlessly with any décor and are easy to install, with many featuring a tool-free clamp system. They support MX Cable Cubby Retractor Series retraction modules and offer an optional wireless charging feature for efficient device powering. It is fully customizable in sockets and ports and is perfect for boardrooms, classrooms, and collaborative spaces. Its sleek, clutter-free design ensures easy access to power, data, and AV connections, promoting a streamlined and organized workspace.

- Effortless Access
- Flexible Customization
- Versatile Integration
- Optional Wireless Charging



| MX No. | Universal or Indian Socket | USB A+C 30 W PD | HDMI or Cat-6 | PASS THROUGH | WIRELESS CHARGING |
|-----------|----------------------------|-----------------|---------------|--------------|-------------------|
| CC 700 | 2 | - | - | 2 | - |
| CC 701 | 2 | 1 | 1 | 1 | - |
| CC 701 Qi | 2 | 1 | 1 | 1 | 1 |
| CC 702 | 1 | 2 | 1 | 1 | - |
| CC 702 Qi | 1 | 2 | 1 | 1 | 1 |

Customized Multimedia & Sockets on Request :



MX Cable Cubby Retractor

The MX Cable Retractor with cable-speed Control is an innovative solution designed to enhance AV and workspace management with efficiency and elegance. Compatible with Cable Cubby, it offers high-performance cables, including HDMI 4K, RJ-45 (CAT 6), and USB-C (8K & PD 100W) for power and data transfer. The retractor features a user-friendly speed control mechanism, allowing cables to retract easily at the press of a button, keeping your workspace neat and clutter-free.



- Effortless Cable Management
- Versatile Connectivity
- Easy Control



MX 8000

HDMI 4K Cable
3.75 Meter



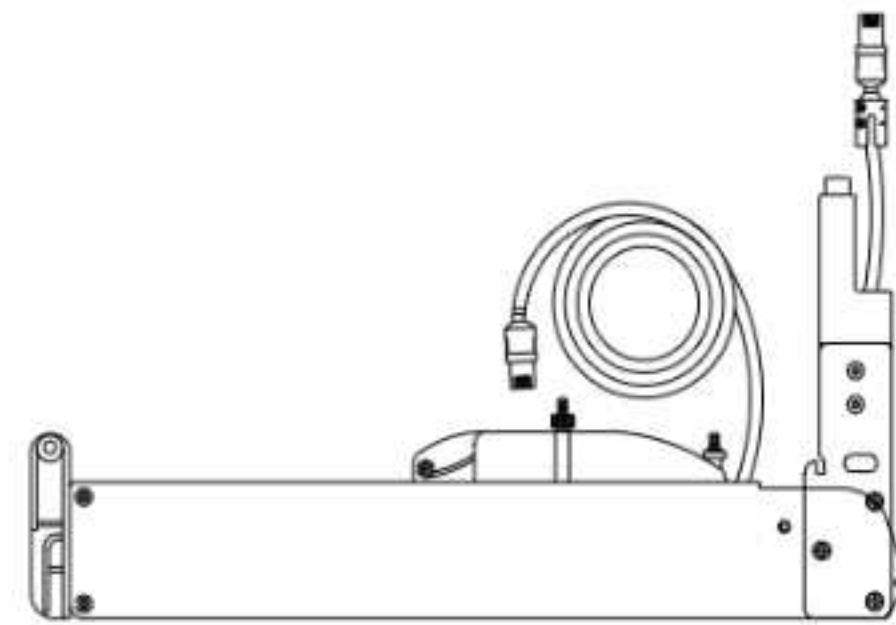
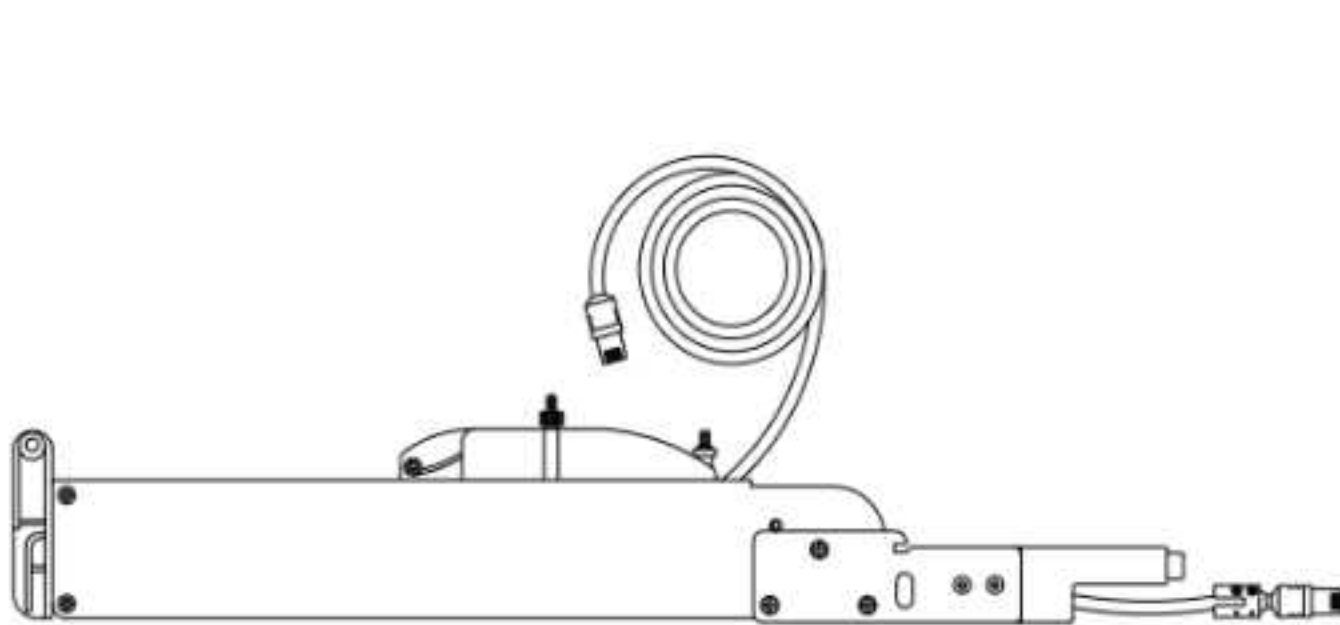
MX 8001

RJ-45 (CAT 6) Cable
3.75 Meter



MX 8002

USB C For Data & Power
(8K & 100W) Cable, 3.75 Meter



CAN BE INSTALLED VERTICALLY OR HORIZONTALLY UNDER TABLE



MX 8003

Flip Up With Cable Retractor
1 HDMI (4K) + 1 RJ-45 (CAT 6)
1 USB C (8K & 100W)



MX 8004

Retractor Filler
With Pass Through



MX 8005

Retractor C Bracket
With Screw



MX Wing Cable Guide

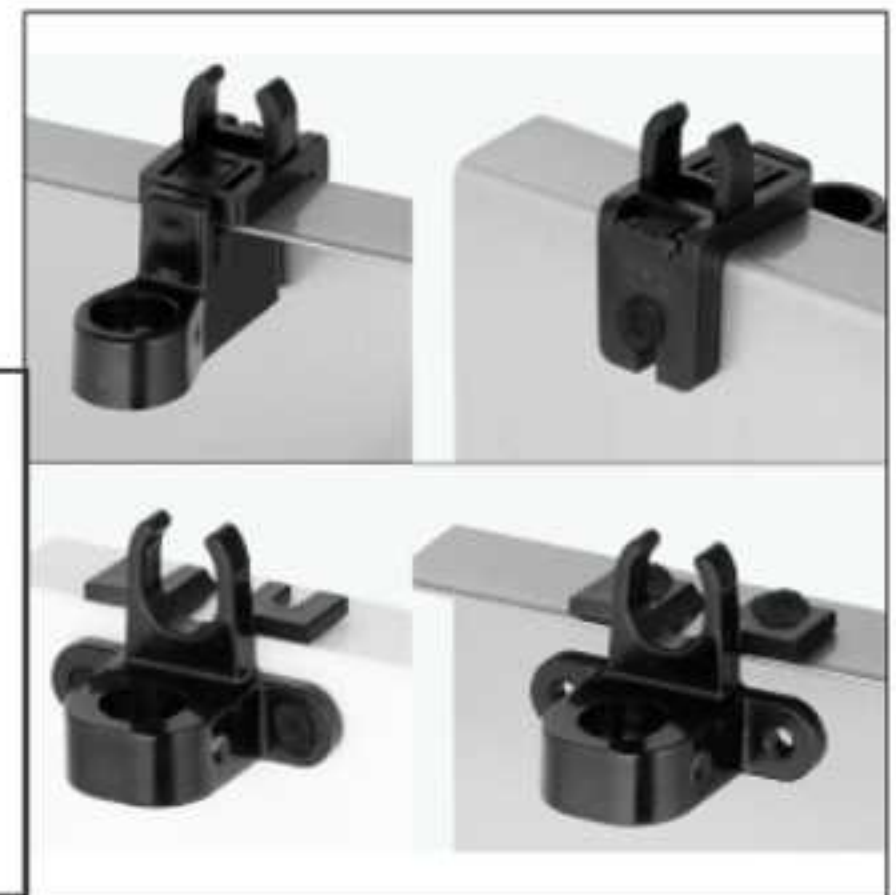
The MX Wing is an innovative solution designed for easy installation of power connections in any standard kitchen drawer, providing secure cable management and preventing cables from becoming jammed or damaged. By utilizing the space behind the drawer, it frees up valuable work surface area. The Wing supports both wooden and metal drawer back panels, offering two cable guide options—clamping or screwing—ensuring compatibility with various cable types, including HDMI, LAN, and power cables. As a built-in solution, the Wing is discreetly positioned behind any drawer or pull-out shelf. Its articulated arm can be mounted in multiple orientations (left, right, horizontally, or vertically), providing flexible installation in any part of the furniture.



MX 7100

SECURE & EFFICIENT CABLE MANAGEMENT FOR FURNITURE

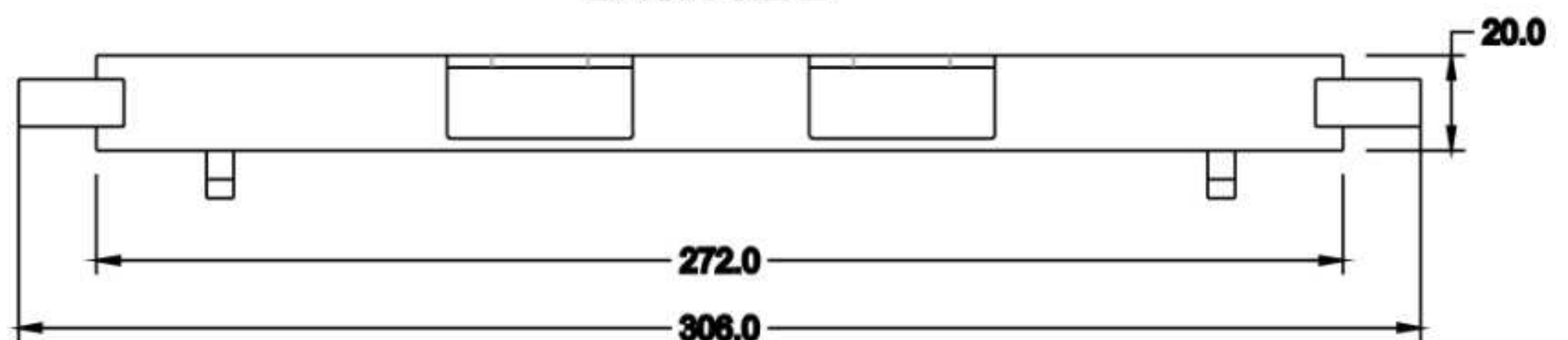
- Secure Cable Management
- Versatile Mounting Options
- Efficient Space Utilization
- Multi-Purpose Design:



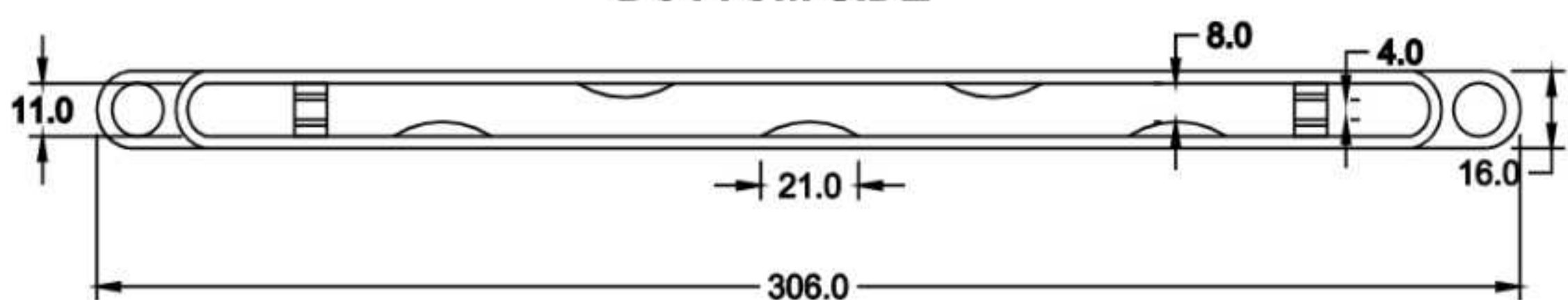
TOP VIEW



BACK SIDE



BOTTOM SIDE





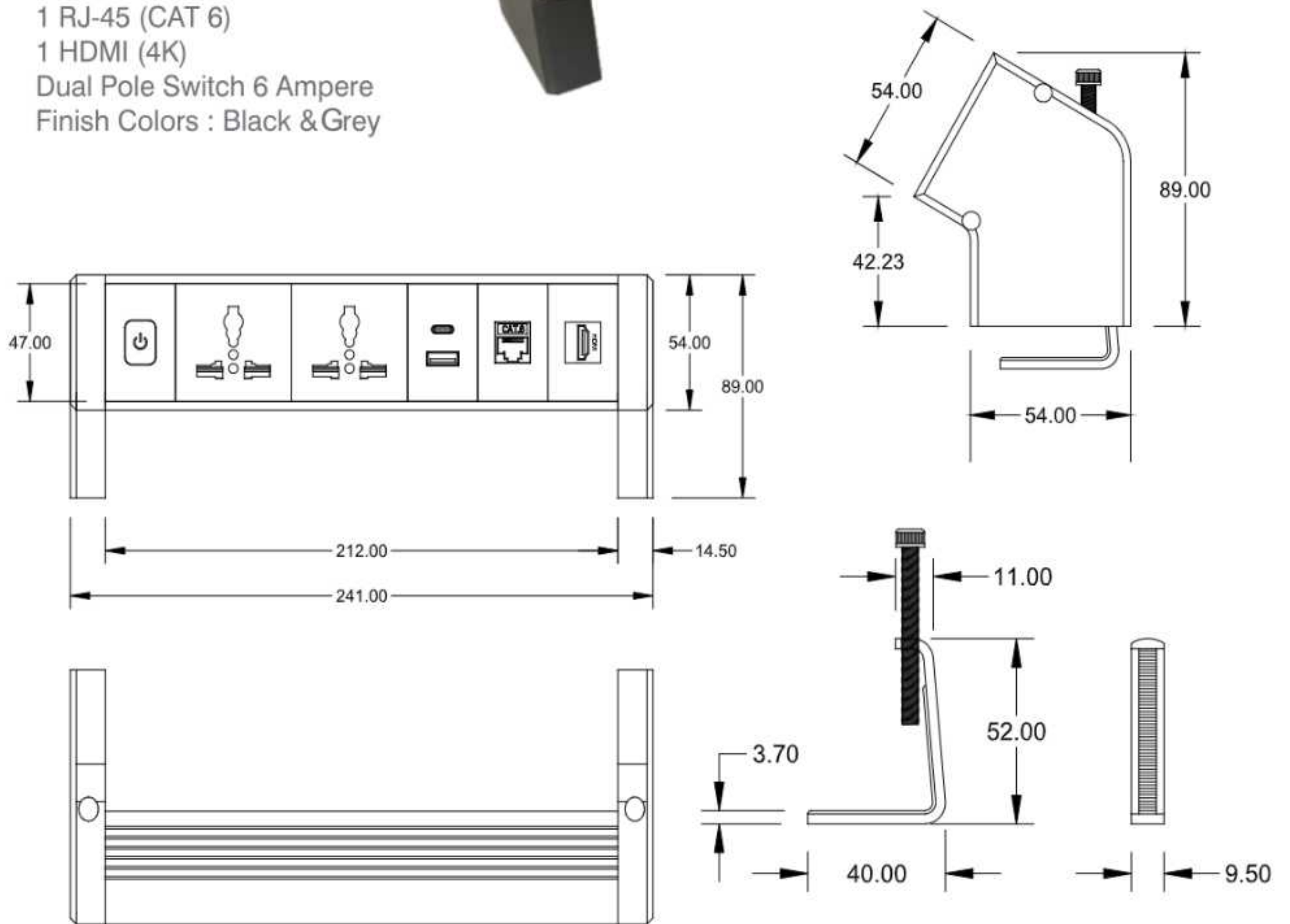
Docksquare

The MX Docksquare is thoughtfully engineered to streamline installation and enhance functionality in study tables and office workstations. Featuring BIS-approved sockets, it enables seamless connectivity and efficiently consolidates essential workplace connections within easy reach on the desktop. The unit includes 2 universal or Indian BIS-approved sockets, USB-A and USB-C ports with 12W to 30W charging and GaN support, RJ-45 (CAT-6), and HDMI 4K connectivity, along with a 6 Amp dual-pole switch and screwless connectors. This versatile solution is ideal for powering, charging, and connecting devices in both professional and personal environments.

- Compact & Convenient
- Versatile Compatibility
- Enhanced Safety & Efficiency
- Customizable Sizes Available

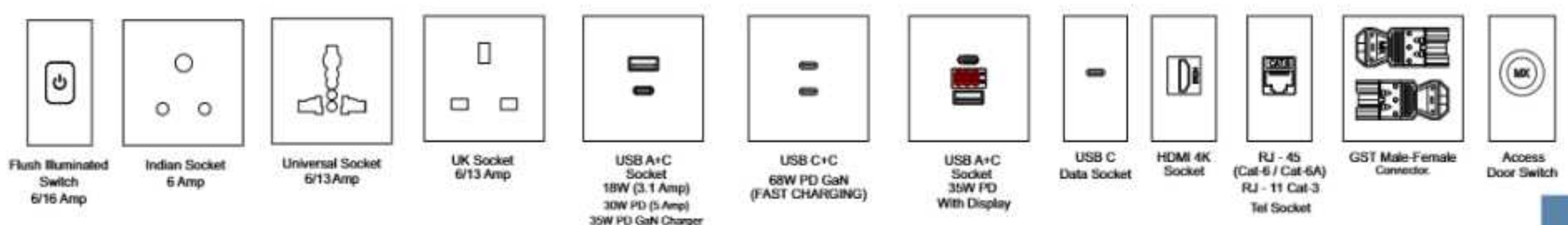
Configuration

2 UNIVERSAL 6/13 Ampere or Indian 6 Ampere Power Socket
 1 USB A + C
 1 RJ-45 (CAT 6)
 1 HDMI (4K)
 Dual Pole Switch 6 Ampere
 Finish Colors : Black & Grey



| MX No. | Indian or Universal Socket | Indian Standard Socket 6/16 Amp | USB A + C | CAT 6 | HDMI 4K | Black or Grey | Dimensions (mm) |
|--------|----------------------------|---------------------------------|-----------|-------|---------|---------------|-----------------|
| 7108 | 2 | - | 1 | 1 | 1 | Yes | 241 x 89 |
| 7109 | - | 2 | 1 | 1 | 1 | Yes | |

Customized Multimedia & Sockets on Request :

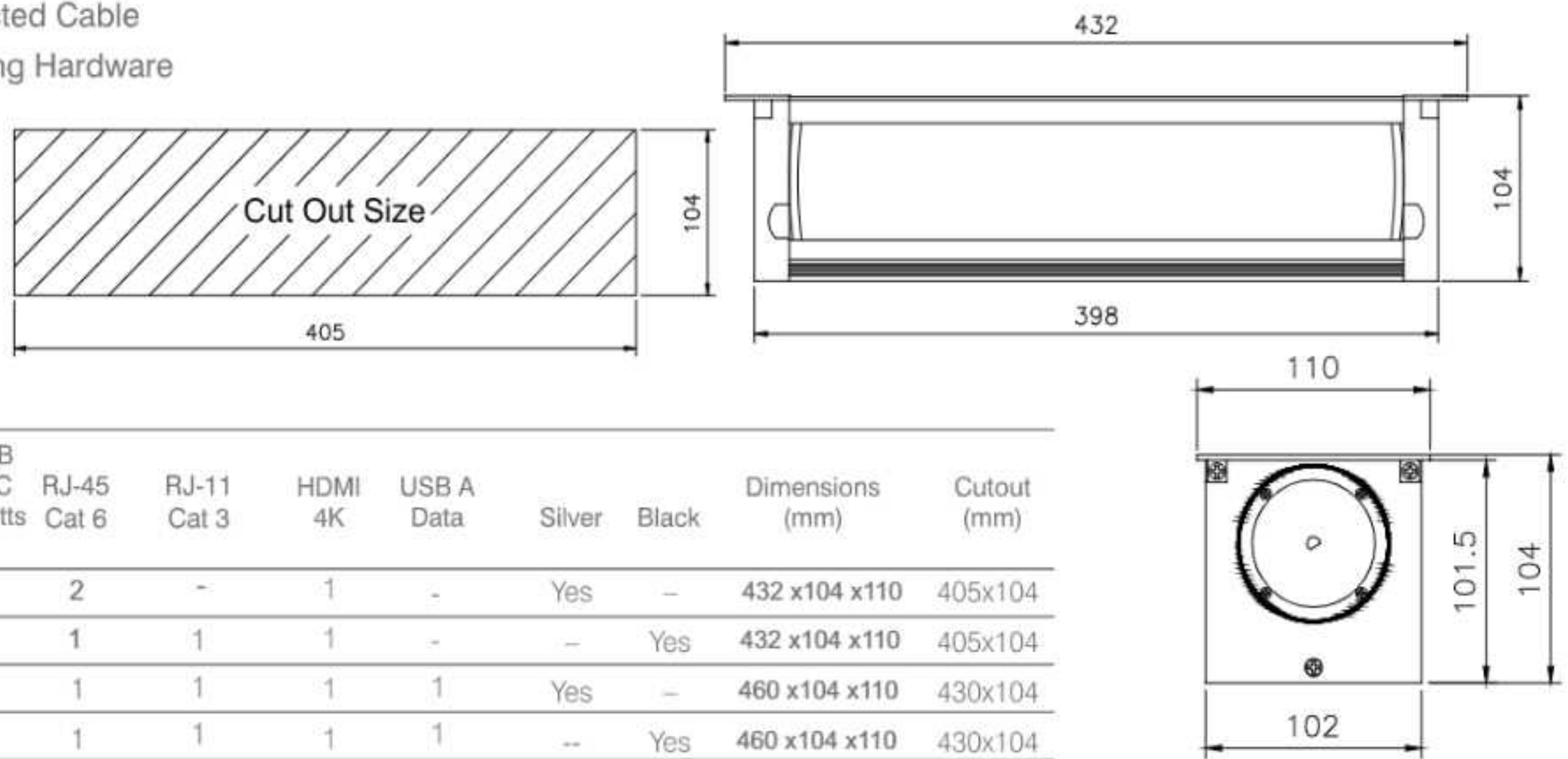


Desktop Motorized Turn Pop Up

Motorized Turn Plug & Play Pop-Up Boxes revolutionize conference and boardroom tables with their quick and simple installation process. Pre-wired patch-in and patch-out cables make connectivity a breeze, while the motorized function offers convenient panel opening and closing. Break beam sensors ensure safety by preventing accidental closure while the product is in use. Crafted from sleek aluminum alloy, these pop-up boxes seamlessly integrate into your meeting space aesthetic.

SPECIFICATION

Rated Voltage : 250V~ Single-phase
 Rated Current : 6-13 Amperes (Max)
 USB Charger : Type A&C Ports 18W
 Material : Aluminum, Polycarbonate
 Finish Colors : Silver & Black (Anodized)
 Wiring : 3 x 1 mm² Cable 1.5 meter with 6 Amps Pl
 Multimedia : Pre-connected Cable
 Standard Pack : Mounting Hardware
 Sensor for protection



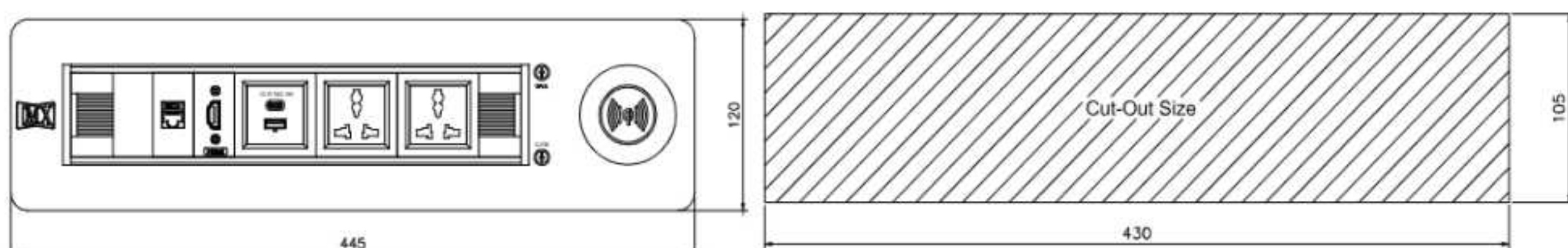
| MX No. | Universal Socket 6/13 Amperes | 2 USB A + C 18 Watts | RJ-45 Cat 6 | RJ-11 Cat 3 | HDMI 4K | USB A Data | Silver | Black | Dimensions (mm) | Cutout (mm) |
|---------------|-------------------------------|----------------------|-------------|-------------|---------|------------|--------|-------|-----------------|-------------|
| 7000 | 3 | 1 | 2 | - | 1 | - | Yes | - | 432 x104 x110 | 405x104 |
| 7000A (Black) | 3 | 1 | 1 | 1 | 1 | - | - | Yes | 432 x104 x110 | 405x104 |
| 7000B | 3 | 1 | 1 | 1 | 1 | 1 | Yes | - | 460 x104 x110 | 430x104 |
| 7000C (Black) | 3 | 1 | 1 | 1 | 1 | 1 | - | Yes | 460 x104 x110 | 430x104 |

Motorized Turn Meld Wireless

Motorized Turn melded wireless Plug & Play Pop-Up Boxes represent a unique innovation for conference and boardroom tables, offering both quick and simple installation and a seamless blend of wired and wireless charging capabilities. Pre-wired patch-in and patch-out cables ensure effortless connectivity, while the motorized function allows for convenient panel opening and closing. Qi-compatible wireless charging ensures compatibility with all your devices, eliminating the need for unsightly cables. Break beam sensors provide an extra layer of safety by preventing accidental closure during use. Crafted from sleek aluminum alloy, these pop-up boxes integrate seamlessly into your meeting space, maintaining a modern and professional aesthetic.

SPECIFICATION

Mx Artical No.: 7000 D (Silver) / 7000 E (Black)
 Rated Voltage : 250V~ Single-phase
 Rated Current : 6-13 Amperes (Max)
 USB Charger : Type A&C Ports 18W
 Wireless Charger : 15 Watts
 Material : Aluminium, Polycarbonate
 Finish Colors : Silver & Black
 Wiring : 3 x 1 mm² Cable 1.5 meter with 6 Amps Plug.
 Multimedia : Pre-connected cables
 Standard pack : Mounting Hardware Sensor for protection



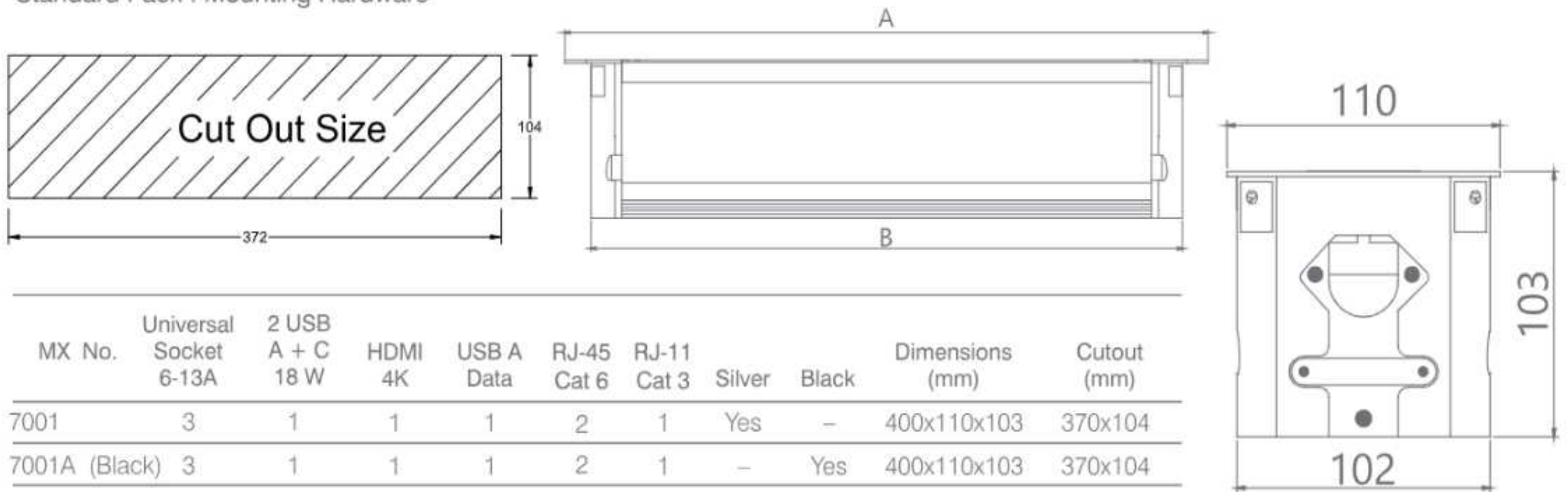
| MX No. | Universal Socket 6/13 Amperes | 2 USB A + C 18 Watts | Data Cat | HDMI 4K | Dimensions (mm) | Cutout (mm) | Silver | Black |
|--------|-------------------------------|----------------------|----------|---------|-----------------|-------------|--------|-------|
| 7000D | 2 | 1 | 1 | 1 | 445X120X100 | 430X105 | Yes | - |
| 7000E | 2 | 1 | 1 | 1 | 445X120X100 | 430X105 | - | Yes |

Desktop Manual Turn Pop Up

Manual Plug & Play Pop-Up Boxes simplify installation in conference and boardroom tables. Pre-wired patch-in and patch-out cables ensure effortless connectivity, while the simple turnaround function allows for convenient panel opening and closing. Constructed of durable aluminum alloy, these pop-up boxes seamlessly integrate into your meeting space, offering a modern and functional solution.

SPECIFICATION

- Rated Voltage : 250V~
- Rated Current : 6-13Amps (Max)
- USB Charger : Type A & C Ports 18W
- Material : Aluminum, Polycarbonate
- Finish Colors : Silver & Black (Anodized)
- Wiring : 3 x 1 mm² Cable 1.5 meter with 6 Amps Plug.
- Multimedia : Pre-connected cables
- Standard Pack : Mounting Hardware

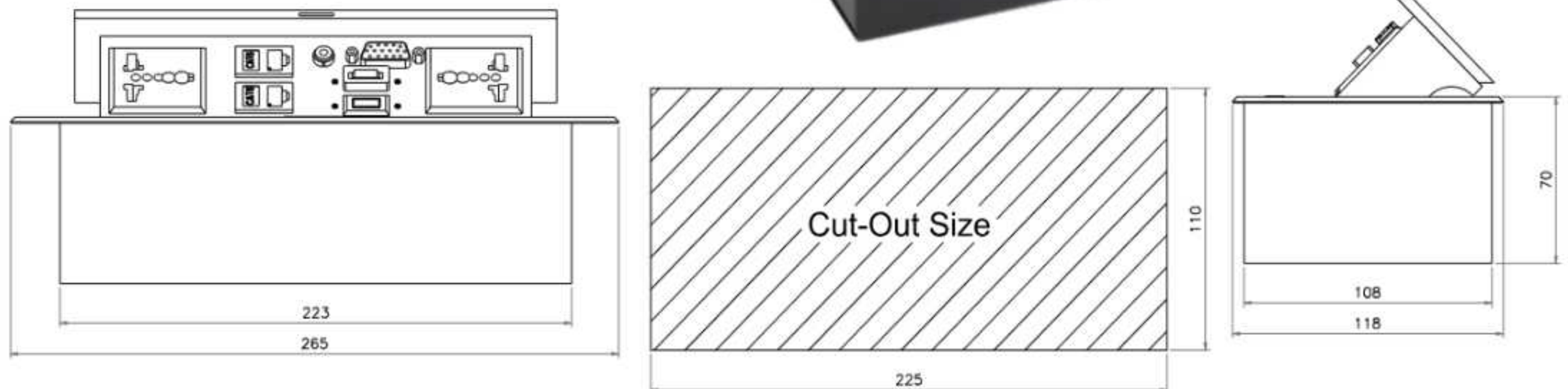


Hydraulic Pop Up

Hydraulic Plug & Play Pop-Up Boxes facilitate quick and simple installation with pre-wired patch-in and patch-out cables for effortless connectivity. A convenient press button function allows for easy panel opening and closing, while the sleek aluminum alloy construction seamlessly integrates into conference and small meeting room tables.

SPECIFICATION

- Rated Voltage : 250V~
- Rated Current : 6-13Amps (Max)
- Material : Aluminium, Polycarbonate
- Finish Colors : Silver & Black (Anodized)
- Wiring : 3 x 1 mm² Cable 1.5 meter with 6 Amps Plug.
- Multimedia: Pre-connected cables



| MX No. | Universal Socket 6-13A | 2 USB A + C 18 W | Data Cat | HDMI 4K | USB A Data | VGA 15 Pin | Aux 3.5 | Silver | Black | Dimensions (mm) | Cutout (mm) |
|---------------|------------------------|------------------|----------|---------|------------|------------|---------|--------|-------|-----------------|-------------|
| 7002 | 2 | - | 2 | 1 | 1 | 1 | 1 | Yes | - | 265x118x70 | 225x110 |
| 7002A (Black) | 2 | - | 2 | 1 | 1 | 1 | 1 | - | Yes | 265x118x70 | 225x110 |



Access Flaps

The Access flaps offer seamless integration and convenient access to power sources. Featuring an integral frame and cover plate, these flaps provide single or dual-sided access to outlets, ensuring flexibility in your workspace. Additionally, buffer damping ensures silent opening and closing, maintaining a peaceful environment. These flaps are compatible with both integrated and bottom box configurations, making them suitable for a wide range of applications, including workstations, meeting room tables, conference tables, executive tables, and even classroom desks.



ACCESS FLAP WITH GASKET
7019 / 7023 / 7027



ACCESS FLAP WITH BRUSH
7020 / 7024 / 7028



ACCESS FLAP WITH BRUSH
1 USB A + 1 USB C 12 / 18 / 30W PD
7022 / 7026 / 7030



ACCESS FLAP WITH GASKET
1 USB A + 1 USB C 12 / 18 / 30W PD
7021 / 7025 / 7029

| MX No. | Gasket | Brush | USB A+C | AL | Size (mm) | Dimensions With End Cap (mm) | Cutout (mm) |
|--------|--------|-------|---------|-----|-----------|------------------------------|-------------|
| 7019 | Yes | - | - | Yes | 300 mm | 334 X 150 X 28 | 316 X 134 |
| 7020 | - | Yes | - | Yes | 300 mm | 347 X 150 X 28 | 316 X 134 |
| 7021 | Yes | - | Yes | Yes | 300 mm | 347 X 150 X 28 | 330 X 134 |
| 7022 | - | Yes | Yes | Yes | 300 mm | 485 X 150 X 28 | 330 X 134 |
| 7023 | Yes | - | - | Yes | 450 mm | 485 X 150 X 28 | 466 X 134 |
| 7024 | - | Yes | - | Yes | 450 mm | 485 X 150 X 28 | 466 X 134 |
| 7025 | Yes | - | Yes | Yes | 450 mm | 497 X 150 X 28 | 480 X 134 |
| 7026 | - | Yes | Yes | Yes | 450 mm | 497 X 150 X 28 | 480 X 134 |
| 7027 | Yes | - | - | Yes | 600 mm | 640 X 150 X 28 | 616 X 134 |
| 7028 | - | Yes | - | Yes | 600 mm | 640 X 150 X 28 | 616 X 134 |
| 7029 | Yes | - | Yes | Yes | 600 mm | 650 X 150 X 28 | 630 X 134 |
| 7030 | -- | Yes | Yes | Yes | 600 mm | 650 X 150 X 28 | 630 X 134 |

Customized Multimedia & Sockets on Request :



USB A+C
SOCKET
12W (2.4Amp)
18W (3.1Amp)
30 W PD (5Amp)
35 W PD GaN Charger

Access Flaps

The Access flap features an integrated frame and soft closure, offering single-sided access to an electrical outlet while seamlessly blending into your workspace. Its compatibility with an integrated bottom box provides additional flexibility, and USB charging ports conveniently located on the side cap ensure effortless charging for your electronic devices. This versatile flap is ideal for various applications, including workstations, meeting room tables, conference tables, supervisor desks, and even classroom desks, enhancing functionality and accessibility in any environment.

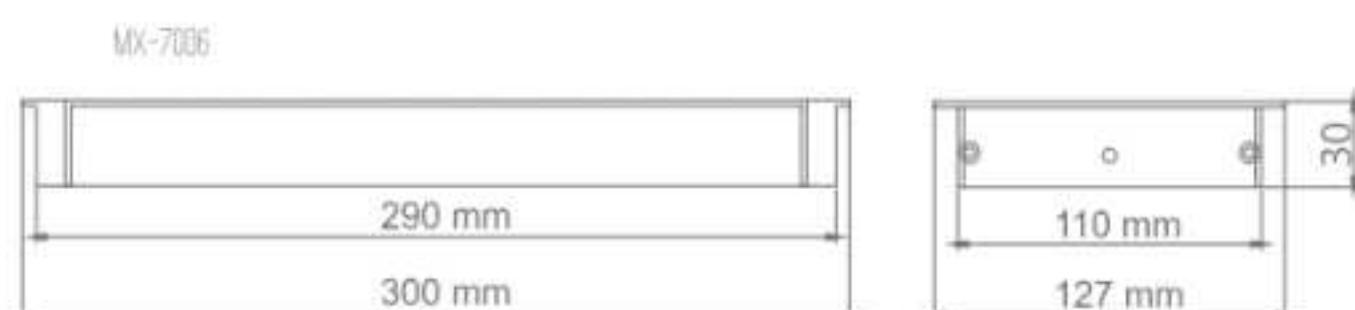
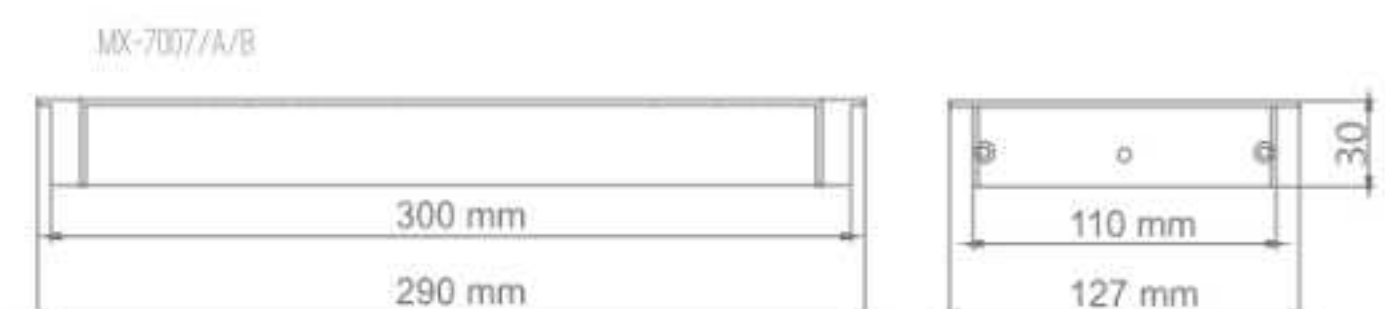
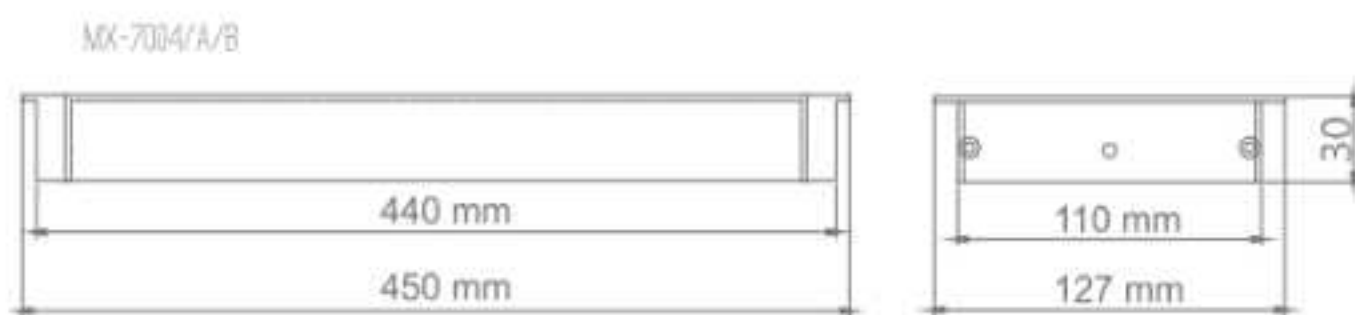
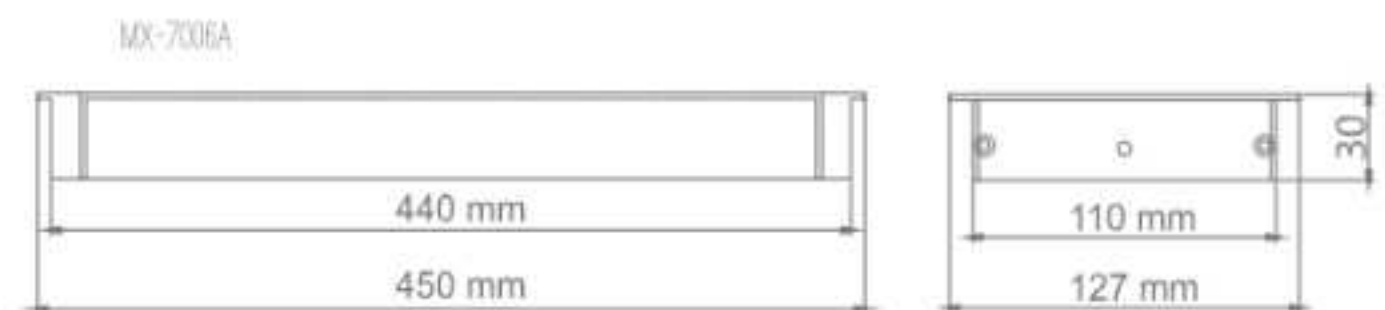
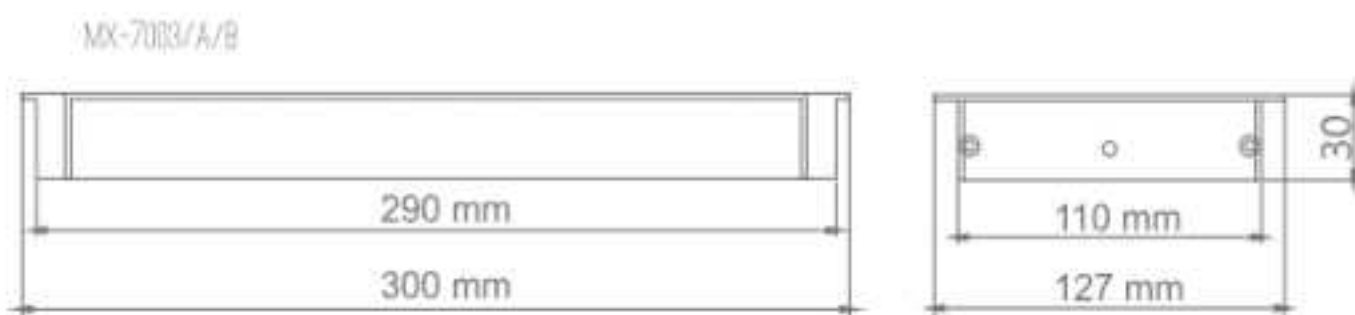


ACCESS FLAP SINGLE SOFT CLOSE
7003 / 7003 A / 7003 B
7004 / 7004 A / 7004 B

ACCESS FLAP PC
7007 / 7007 A / 7007 B

ACCESS FLAP DOUBLE
7006 / 7006 A

| MX No. | Soft Close | AL | PC | Silver | Black | White | Size | Dimensions (mm) | Cutout (mm) |
|--------|------------|-----|-----|--------|-------|-------|--------|-----------------|-------------|
| 7003 | Yes | Yes | - | Yes | - | - | 300 mm | 300 x 127 x 30 | 290 x 110 |
| 7003 A | Yes | Yes | - | - | Yes | - | 300 mm | 300 x 127 x 30 | 290 x 110 |
| 7003 B | Yes | Yes | - | - | - | Yes | 300 mm | 300 x 127 x 30 | 290 x 110 |
| 7004 | Yes | Yes | - | Yes | - | - | 450 mm | 450 x 127 x 30 | 440 x 110 |
| 7004 A | Yes | Yes | - | - | Yes | - | 450 mm | 450 x 127 x 30 | 440 x 110 |
| 7004 B | Yes | Yes | - | - | - | Yes | 450 mm | 450 x 127 x 30 | 440 x 110 |
| 7006 | - | Yes | - | Yes | - | - | 300 mm | 300 x 127 x 30 | 290 x 110 |
| 7006 A | - | Yes | - | Yes | - | - | 450 mm | 450 x 127 x 30 | 440x 110 |
| 7007 | - | - | Yes | Yes | - | - | 300 mm | 300 x 127 x 30 | 290 x 110 |
| 7007 A | - | - | Yes | - | Yes | - | 300 mm | 300 x 127 x 30 | 290 x 110 |
| 7007 B | -- | -- | Yes | -- | -- | Yes | 300 mm | 300 x 127 x 30 | 290 x 110 |





CABLE ORGANISER & CABLE MANAGEMENT



DESIGNER CABLE ORGANIZER

MX 2762 - 4 WAY

MX 2763 - 6 WAY

MX 2764 - 8 WAY

Finish Colors : Black, Silver, Rose Gold

Length : 0.76 Mtrs (16 Pcs)

PROFESSIONAL CABLE ORGANIZER

MX 2696

Finish Colors : Black, Gray, Ivory

Length : 1.5 Mtrs to 50 Mtrs



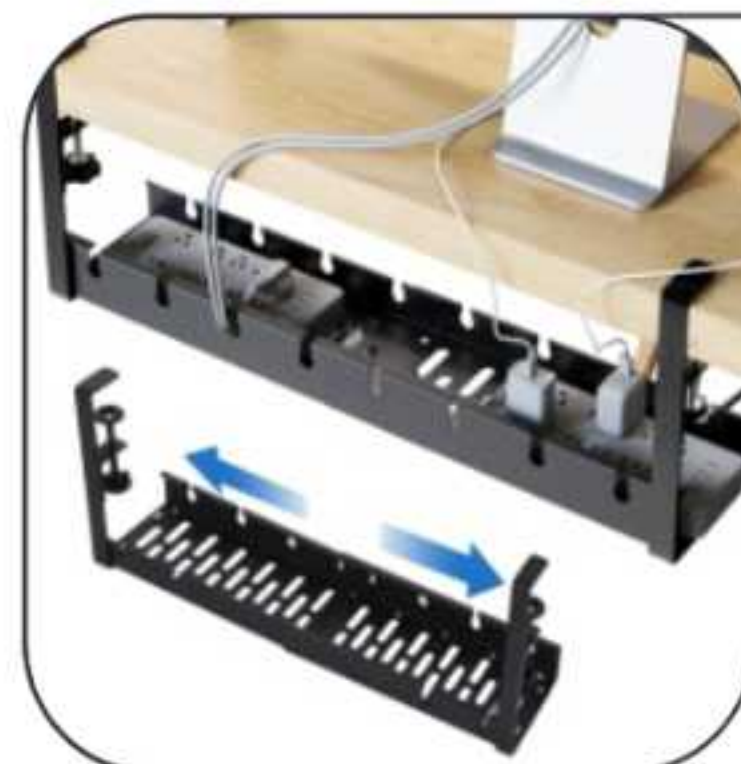
ROBOT CABLE ORGANIZER

MX 2816

Finish Colors : Black, Gray, Ivory
Length : 75 CMS (48 Pcs)

MX 2817

T Type 3 Way Cable Organizer
Finish Colors : Black & Gray



UNDER DESK CABLE MANAGEMENT TRAY

Finish Colors : Black

Length : 0.28 to 1.5 Meters

PROTECT + CONNECT



MX-PD1604 Features

The MX-PD1604 is a compact, network-enabled PDU with 4 individually switchable IEC C13 outlets (max 10A total) designed for AV and IT environments. It features high-inrush relays (30A/4s, 80A/20ms), integrated metering (voltage, current, power, energy), and Type 3 surge protection.,EMI Filter, Inrush Current Protection using Zero crossing Technology.

| |
|--|
| Outputs: 4x IEC C13 (individually switchable) |
| Max Current: 16 A total, 10 A per port |
| Input/Output Voltage: 90V -300 V AC 50Hz/60Hz |
| Protection: Type 3 surge protection (max. L-N, N/L-PE 10 kA) EMI Filter (blocks unwanted electromagnetic interference) Inrush Current Protection using Zero crossing Technology Individual Short circuit Protection |
| Metering: Voltage (V), Current (A), Frequency (Hz), Active/Reactive/Apparent Power (W/Var/VA), Power Factor (PF), Energy (kWh) |
| Network Protocols: HTTP, WiFi |
| Sensor Input: 1x RJ45 for plug-and-play sensors (temperature, humidity, air pressure). |
| High-Inrush Relay: Handles up to 80 A for 20ms,making it suitable for high-surge loads. |
| Display: On Unit LCD Display for online monitoring and setting port Output. |
| Cascading: Allows to cascade multiple(up to 10) PDU units through Rj45 for Monitoring and controlling all units on singl GUI. |
| Mounting: Compact, can be mounted behind displays |
| Dimension: 255mm x 45mm x 125mm LxHxD |

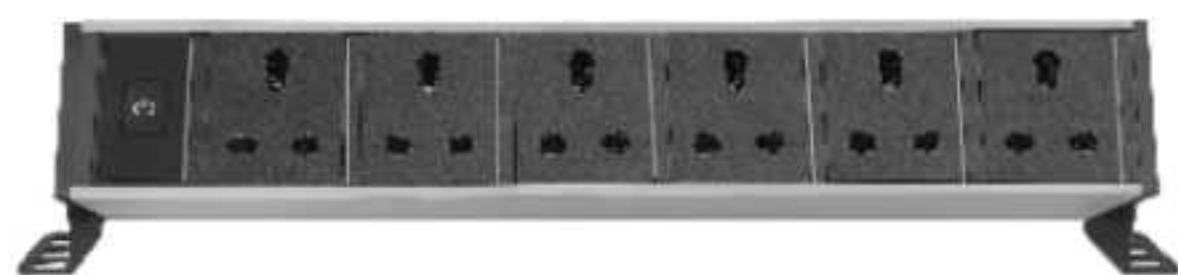
Web Page Features

| | |
|--------------------|---|
| Monitoring: | Individual channels Voltage, Current, Power can be monitored on Webpage and also on PDU Units LCD display Each channle can be Switched ON/OFF through Webpage and also on PDU Unit Log report of input Voltage, Input Current, Input Power is generated of past 24 hrs. To monitor performance, and helps in troubleshooting in case of failure |
| Sequencer : | Each channel can be programed to Switch ON/switch OFF in sequence one afteranother at pre defined delays, to manage the order and timming of power delivery to connected equipment, which enhances system saftey, stability, and reliability. |
| Schedule: | Each channel can be programed to switch ON/switch OFF at pre defined timming every day/ every week. |
| Alarm: | Each channels working voltage limits (minimumVoltage maximum voltage max Curent) can be configured byond which PDU will Switch Off that channel to avoid hazardous condition. |
| | Sensors like Temperature and Humidity can be configure to Switch ON and Switch OFF any one channel or all channels |



Versatile Power Distribution Unit (PDU)

[ALUMINUM EXTRUSION BODY]



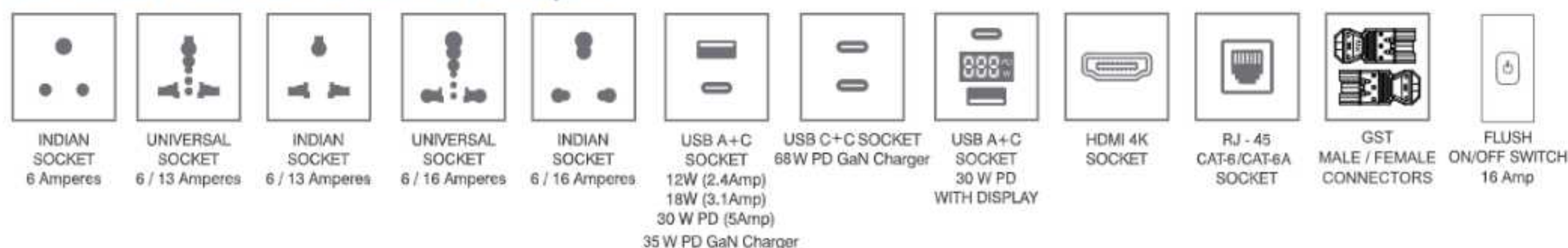
MX 4248



MX 4261

| MX No. | No. of Outlet | Indian Socket 6 AMP / Universal Socket 6/13 AMP | Standard Indian Socket 16 AMP | Switch Type | Fuse | Length |
|---------|---------------|---|----------------------------------|-------------------------|------|-------------------|
| MX 4238 | 2 | Yes | – | Flush Mount | – | 147 mm / 5.7" |
| MX 4239 | 3 | Yes | – | Flush Mount | – | 195 mm / 7.6" |
| MX 4240 | 4 | Yes | – | Flush Mount | – | 243 mm / 9.5" |
| MX 4241 | 5 | Yes | – | Flush Mount | – | 291 mm / 11.4" |
| MX 4242 | 6 | Yes | – | Flush Mount | – | 339 mm / 13.3" |
| MX 4243 | 7 | Yes | – | Flush Mount | – | 435 mm / 17.1" |
| MX 4244 | 2 | – | Yes | Flush Mount | – | 159 mm / 6.2" |
| MX 4245 | 3 | – | Yes | Flush Mount | – | 213 mm / 8.3" |
| MX 4246 | 4 | – | Yes | Flush Mount | – | 267 mm / 10.5" |
| MX 4247 | 5 | – | Yes | Flush Mount | – | 321 mm / 12.6" |
| MX 4248 | 6 | – | Yes | Flush Mount | – | 375 mm / 14.7" |
| MX 4249 | 7 | – | Yes | Flush Mount | – | 483 mm / 19" |
| MX 4250 | 2 | Yes | – | LED Indicator 6 Amp | Yes | 195 mm / 7.6" |
| MX 4251 | 3 | Yes | – | LED Indicator 6 Amp | Yes | 242 mm / 9.5" |
| MX 4252 | 4 | Yes | – | LED Indicator 6 Amp | Yes | 289 mm / 11.3" |
| MX 4253 | 5 | Yes | – | LED Indicator 6 Amp | Yes | 336 mm / 13.2" |
| MX 4254 | 6 | Yes | – | LED Indicator 6 Amp | Yes | 383 mm / 15" |
| MX 4255 | 7 | Yes | – | LED Indicator 6 Amp | Yes | 477 mm / 18.7" |
| MX 4256 | 2 | – | Yes | LED Indicator 16 Amp | Yes | 215.88 mm / 8.4" |
| MX 4257 | 3 | – | Yes | LED Indicator 16 Amp | Yes | 262.98 mm / 10.3" |
| MX 4258 | 4 | – | Yes | LED Indicator 16 Amp | Yes | 309.97 mm / 12.2" |
| MX 4259 | 5 | – | Yes | LED Indicator 16 Amp | Yes | 356.97 mm / 14" |
| MX 4260 | 6 | – | Yes | LED Indicator 16 Amp | Yes | 403.97 mm / 15.9" |
| MX 4261 | 7 | – | Yes | LED Indicator 16 Amp | Yes | 497.96 mm / 19.6" |

Customized Multimedia & Sockets on Request :



TRANSPARENT PROTECTIVE WINDOW COVER FOR MCB

MX 7571E



2way Transparent protective window cover for MCB 49.4x78.4mm
Material: PC/ABS Flame Retardant

MX 7572E



4way Transparent protective window cover for MCB 91.5x93.2mm
Material: PC/ABS Flame Retardant

MX 7573E



6way Transparent protective window cover for MCB 127x95mm
Material: PC/ABS Flame Retardant



MX 7574E



8way Transparent protective window cover for MCB 163x95mm
Material: PC/ABS Flame Retardant

| | | |
|-----------------|---|---|
| MX 7575E |  | 12way Transparent protective window cover for MCB 235x95mm Material: PC/ABS Flame Retardant |
| MX 7576E |  | 13way Transparent protective window cover for MCB 255x98mm Material: PC/ABS Flame Retardant |
| MX 7577E |  | 16way Transparent protective window cover for MCB 309x125mm Material: PC/ABS Flame Retardant |

IP66 WATER PROOF SOCKET BOX

| | | | | | | | | | | | | | | |
|----------------|---|--|------------|-------------|---------------|--------------|----------|----------|----------|--------------------|-------------|---------------------------|-------------|-------------------|
| MX 7578 |  | <p>MX IP66 WATERPROOF ELECTRICAL OUTDOOR SOCKET BOX, DUSTPROOF 250V 16A - 2 MODULE WITH LOCKING SYSTEM</p> <table border="1" data-bbox="1062 1702 1750 1998"> <tr><td>Waterproof</td><td>IP66 Rating</td></tr> <tr><td>Rated Voltage</td><td>6-13A / 250V</td></tr> <tr><td>Material</td><td>PC / ABS</td></tr> <tr><td>Function</td><td>Anti-UV Waterproof</td></tr> <tr><td>Application</td><td>OUTDOOR GARDEN HOTELS</td></tr> <tr><td>Socket Size</td><td>2 Module 45x45 mm</td></tr> </table> <p style="text-align: center;">6 / 16 AMPERES FOR MODULAR INDIAN STANDARD, UK, USA, GERMAN SCHUKO, FRENCH & AUDIO SOCKETS</p> | Waterproof | IP66 Rating | Rated Voltage | 6-13A / 250V | Material | PC / ABS | Function | Anti-UV Waterproof | Application | OUTDOOR GARDEN HOTELS | Socket Size | 2 Module 45x45 mm |
| Waterproof | IP66 Rating | | | | | | | | | | | | | |
| Rated Voltage | 6-13A / 250V | | | | | | | | | | | | | |
| Material | PC / ABS | | | | | | | | | | | | | |
| Function | Anti-UV Waterproof | | | | | | | | | | | | | |
| Application | OUTDOOR GARDEN HOTELS | | | | | | | | | | | | | |
| Socket Size | 2 Module 45x45 mm | | | | | | | | | | | | | |
| MX 7579 |  | <p>MX IP66 WATERPROOF ELECTRICAL OUTDOOR SOCKET BOX, DUSTPROOF 250V 16A - 4 MODULE WITH LOCKING SYSTEM</p> <table border="1" data-bbox="1056 2313 1750 2609"> <tr><td>Waterproof</td><td>IP66 Rating</td></tr> <tr><td>Rated Voltage</td><td>6-13A / 250V</td></tr> <tr><td>Material</td><td>PC / ABS</td></tr> <tr><td>Function</td><td>Anti-UV Waterproof</td></tr> <tr><td>Application</td><td>OUTDOOR GARDEN HOTELS</td></tr> <tr><td>Socket Size</td><td>4 Module 45x45 mm</td></tr> </table> <p style="text-align: center;">6 / 16 AMPERES FOR MODULAR INDIAN STANDARD, UK, USA, GERMAN SCHUKO, FRENCH & AUDIO SOCKETS</p> | Waterproof | IP66 Rating | Rated Voltage | 6-13A / 250V | Material | PC / ABS | Function | Anti-UV Waterproof | Application | OUTDOOR GARDEN HOTELS | Socket Size | 4 Module 45x45 mm |
| Waterproof | IP66 Rating | | | | | | | | | | | | | |
| Rated Voltage | 6-13A / 250V | | | | | | | | | | | | | |
| Material | PC / ABS | | | | | | | | | | | | | |
| Function | Anti-UV Waterproof | | | | | | | | | | | | | |
| Application | OUTDOOR GARDEN HOTELS | | | | | | | | | | | | | |
| Socket Size | 4 Module 45x45 mm | | | | | | | | | | | | | |

MX 7580



MX IP66 WATERPROOF ELECTRICAL OUTDOOR SOCKET BOX, DUSTPROOF WITH SPRING OPENING 250V 16A WITH ABS SHELL FOR GARDENS - 2 MODULE WITH LOCKING SYSTEM

| | |
|---------------|---------------------------|
| Waterproof | IP66 Rating |
| Rated Voltage | 6-13A / 250V |
| Material | PC / ABS |
| Function | Anti-UV Waterproof |
| Application | OUTDOOR GARDEN HOTELS |
| Socket Size | 2 Module 45x45 mm |
| Type | Spring Opening |

6 / 16 AMPERES FOR MODULAR INDIAN STANDARD, UK, USA, GERMAN SCHUKO, FRENCH & AUDIO SOCKETS

MX 7581



MX IP66 WATERPROOF ELECTRICAL OUTDOOR SOCKET BOX, DUSTPROOF WITH SPRING OPENING 250V 16A WITH ABS SHELL FOR GARDENS - 4 MODULE

| | |
|---------------|---------------------------|
| Waterproof | IP66 Rating |
| Rated Voltage | 6-13A / 250V |
| Material | PC / ABS |
| Function | Anti-UV Waterproof |
| Application | OUTDOOR GARDEN HOTELS |
| Socket Size | 4 Module 45x45 mm |
| Type | Spring Opening |

6 / 16 AMPERES FOR MODULAR INDIAN STANDARD, UK, USA, GERMAN SCHUKO, FRENCH & AUDIO SOCKETS

MX 7582



MX IP66 WATERPROOF ELECTRICAL OUTDOOR SOCKET BOX, DUSTPROOF WITH SPRING OPENING 250V 16A WITH ABS SHELL FOR GARDENS - 4 MODULE

| | |
|---------------|---------------------------|
| Waterproof | IP66 Rating |
| Rated Voltage | 6-13A / 250V |
| Material | PC / ABS |
| Function | Anti-UV Waterproof |
| Application | OUTDOOR GARDEN HOTELS |
| Socket Size | 4 Module 45x45 mm |
| Type | Spring Opening |

6 / 16 AMPERES FOR MODULAR INDIAN STANDARD, UK, USA, GERMAN SCHUKO, FRENCH & AUDIO SOCKETS

MX 7583



MX IP66 WATERPROOF ELECTRICAL OUTDOOR SOCKET BOX WITH SWITCH, DUSTPROOF WITH SPRING OPENING 250V 16A WITH ABS SHELL FOR FOR OUTDOOR LIGHTING AND ELECTRICAL APPLIANCE - 2 MODULE

| | |
|---------------|----------------------------|
| Waterproof | IP66 Rating |
| Rated Voltage | 6-13A / 250V |
| Material | PC / ABS |
| Function | Anti-UV Waterproof |
| Application | OUTDOOR GARDEN HOTELS |
| Socket Size | 2 Module 45x45 mm |
| Type | Spring Opening with Switch |

6 / 16 AMPERES FOR MODULAR INDIAN STANDARD, UK, USA, GERMAN SCHUKO, FRENCH & AUDIO SOCKETS

MX 7584



MX IP66 WATERPROOF ELECTRICAL OUTDOOR SOCKET BOX ISOLATION SWITCH, DUSTPROOF WITH SPRING OPENING 250V 16A - 2 MODULE

| | |
|---------------|----------------------------|
| Waterproof | IP66 Rating |
| Rated Voltage | 6-13A / 250V |
| Material | PC / ABS |
| Function | Anti-UV Waterproof |
| Application | OUTDOOR GARDEN HOTELS |
| Socket Size | 2 Module 45x45 mm |
| Type | Spring Opening with Switch |

6 / 16 AMPERES FOR MODULAR INDIAN STANDARD, UK, USA, GERMAN SCHUKO, FRENCH & AUDIO SOCKETS

45mm x 45mm Power & Data Cubby Module Box

Compatible With all **European** & **UK** Brands



MX 7008-M (4 & 6 Module)
POWER CUBBY FLAP BOX WITH MODULE



MX 6406-M (4 & 6 Module)
FREE STANDING POWER / TOWER POLE WITH MODULE



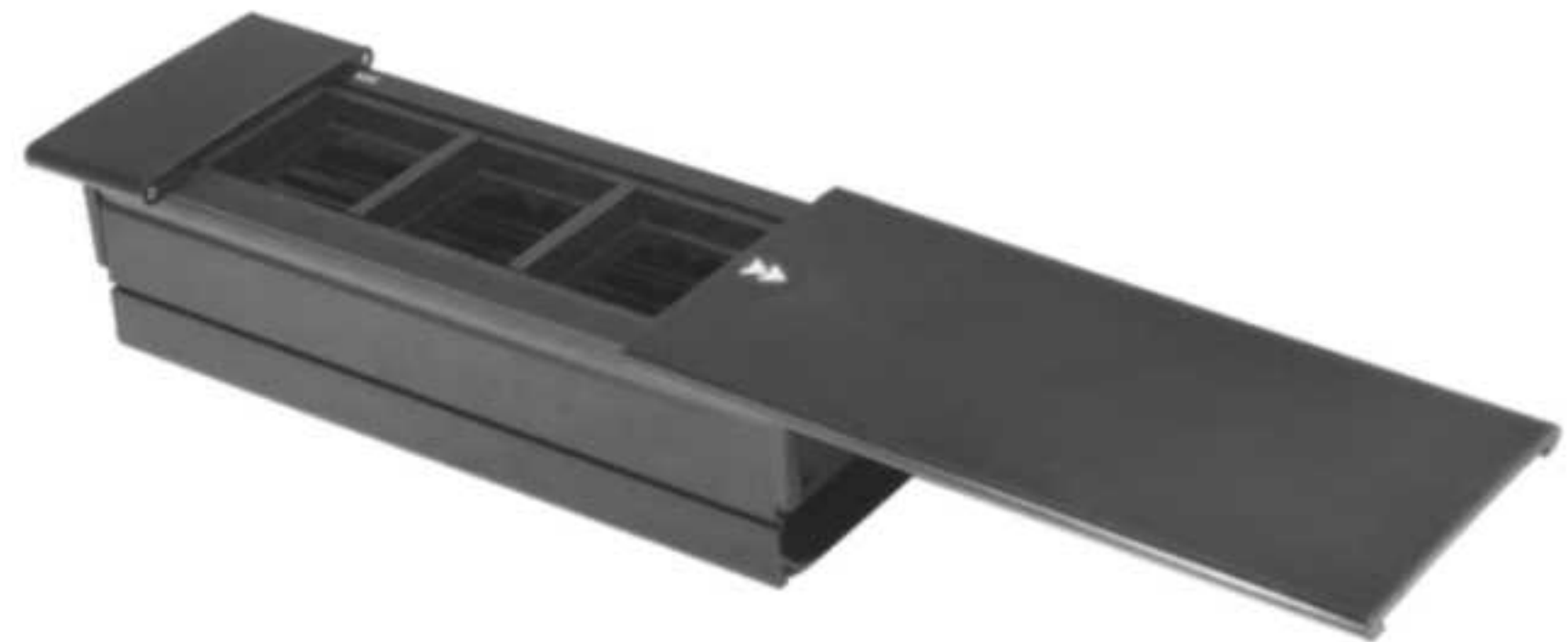
MX 6407-M (4 & 6 Module)
UNDER DESK CONSOLE WITH MODULE



MX 7031-M (4 & 6 Module)
IN-SURFACE POWER DISTRIBUTION UNIT BOX WITH MODULE

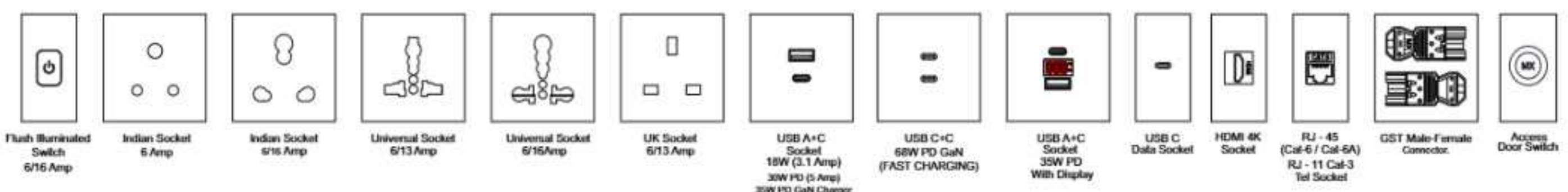


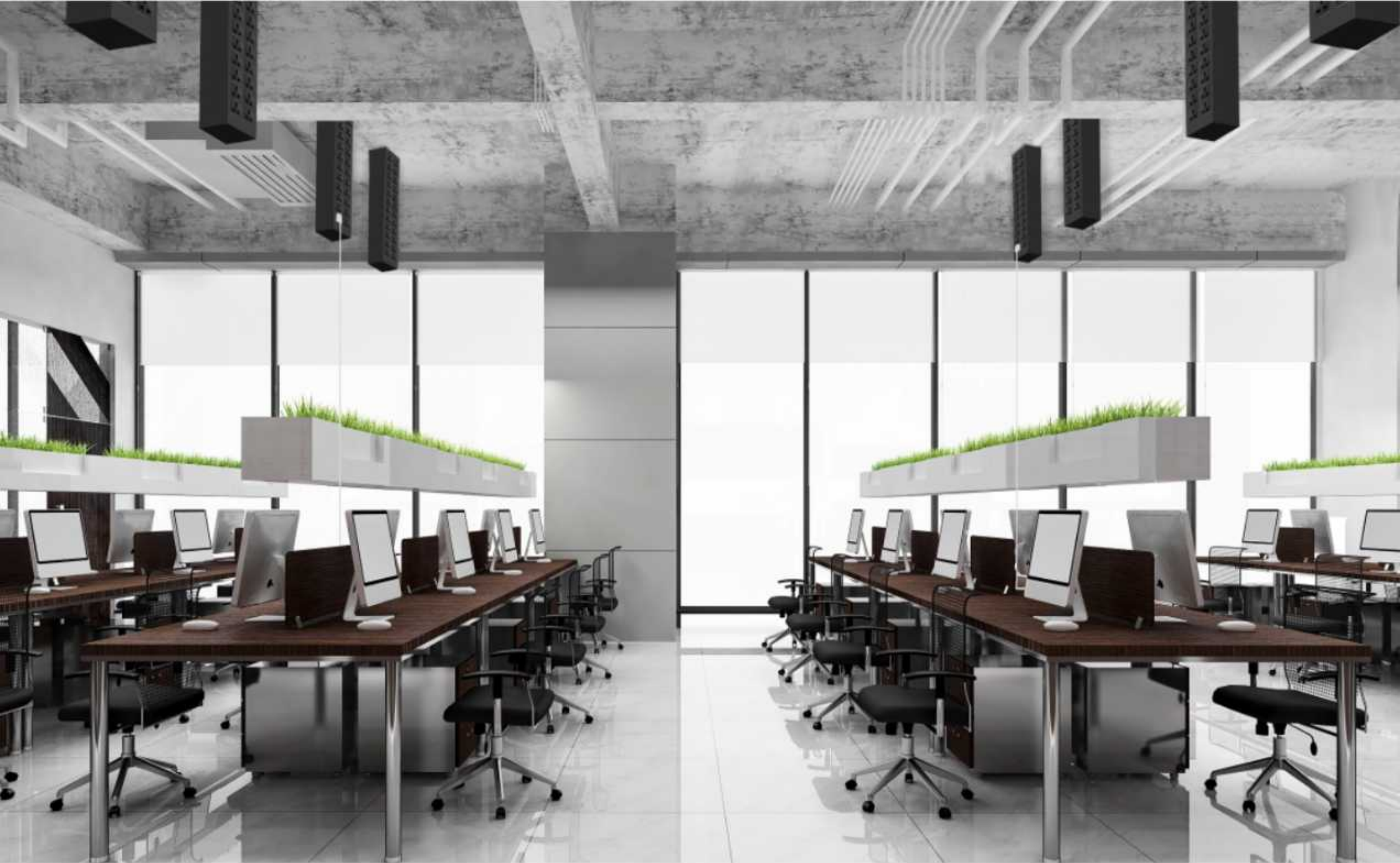
MX 4173-M (4 & 6 Module)
DESKTOP CONSOLE WITH MODULE



MX 7005-M (4 & 6 Module)
POWER CUBBY SLIDER FLAP WITH MODULE

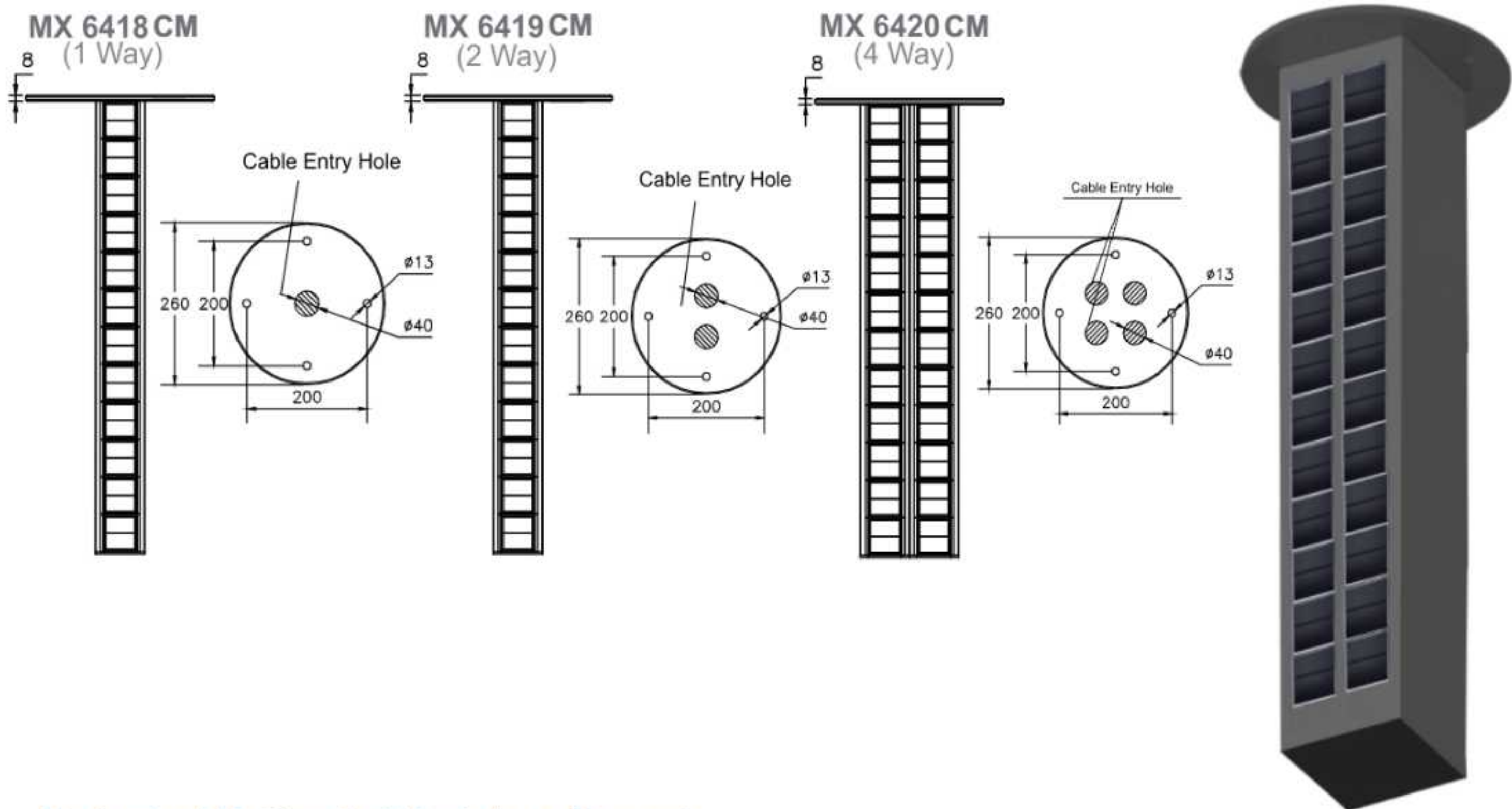
Customized Multimedia & Sockets on Request :



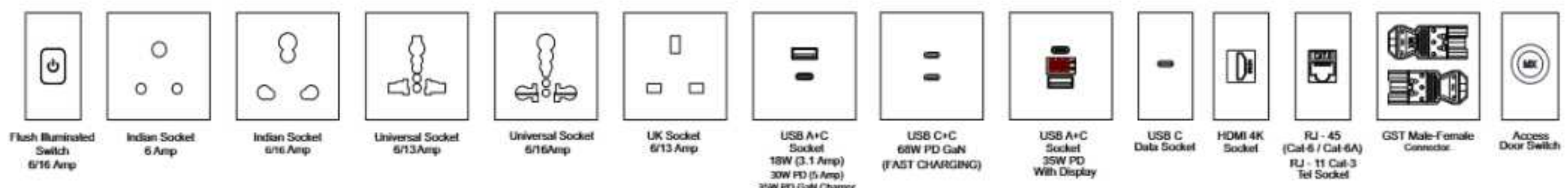


MX Ceiling Mount Power Post

The MX Ceiling Mount Power Post is a sleek and functional solution for delivering power, data, and communication services directly from the ceiling. Designed to mount only on ceilings, it keeps floor space clear while providing easy accessibility for island workstations, conference tables, and collaborative spaces. Compatible with 45mm x 45mm modules, it allows flexible configurations for sockets, data ports, and multimedia modules. Built with a durable aluminum body and finished in premium powder coating or anodized finish, the MX Ceiling Mount Power Post combines strength, safety, and modern design.



Customized Multimedia & Sockets on Request :





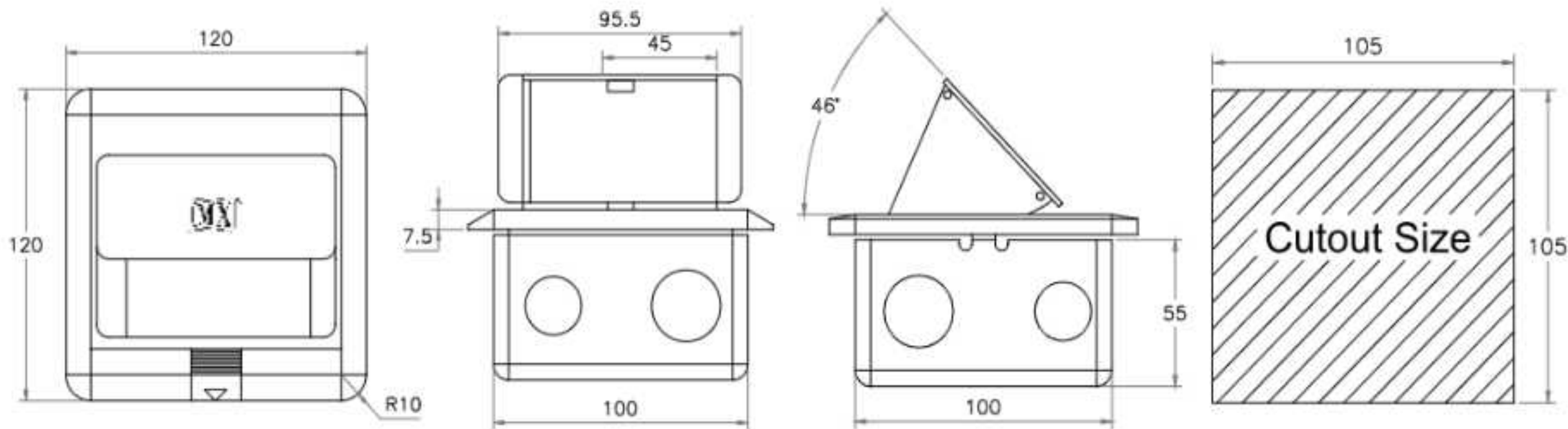
MX Pop-Up Floor Boxes

The MX Floor Box series pop-up power outlets deliver a safe and innovative solution designed to keep both workspaces and residences functional and clutter-free. Featuring a sleek push-and-slide mechanism that prevents accidental openings, these outlets remain concealed beneath the surface until required, blending seamlessly into any environment. Available in elegant Stainless Steel, Brass, and Aluminum finishes, they enhance aesthetics while offering customizable configurations. Designed with modular flexibility for Type 45 series sockets, they are suitable for versatile use across offices, kitchen counter tops, wood, or concrete floors. Easy to install and built for modern convenience, they redefine how power access integrates into everyday spaces.

SPECIFICATION

Module Capacity: 3 (Without Modules)
 Material: **Stainless Steel**
 Module Type: 45 Series
 Opening Mechanism: Push & Slide Locking System
 Opening Type: Soft Opening Pop Up Type
 Color: Silver
 Application: For Concrete Floors

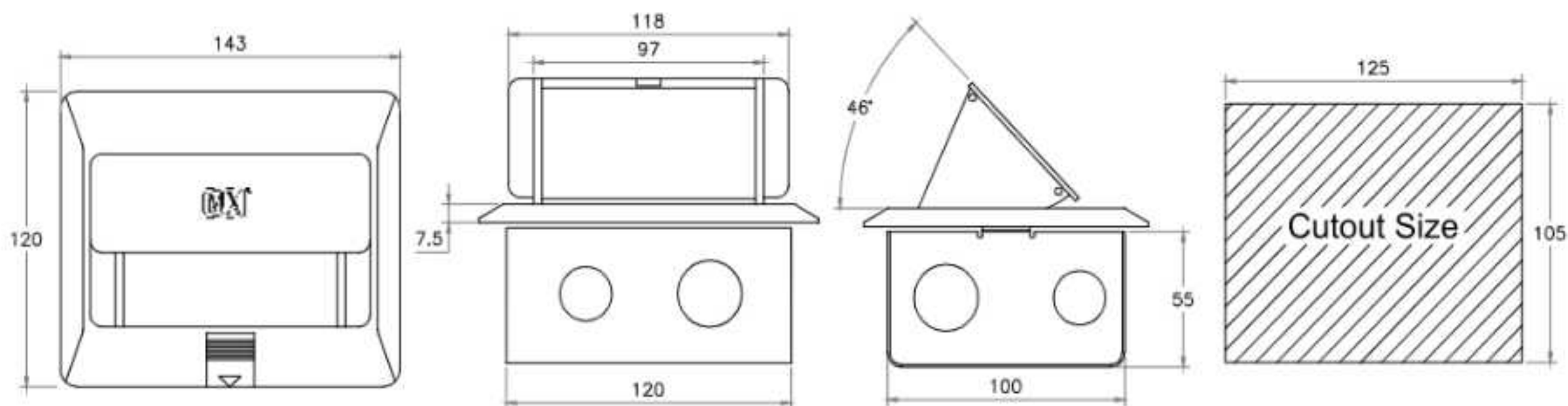
• MX 7200



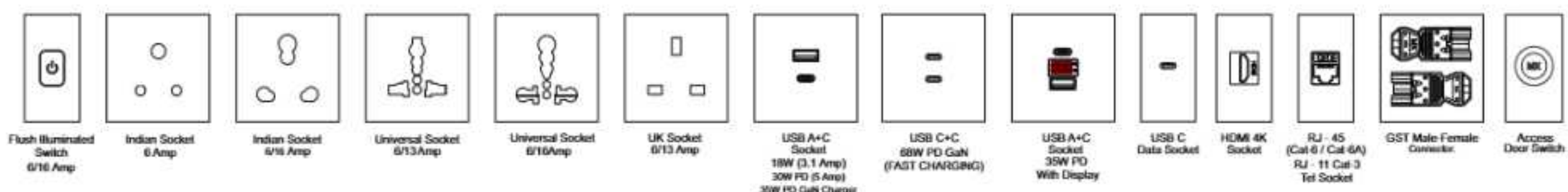
SPECIFICATION

Module Capacity: 4 (Without Modules)
 Material: **Aluminium**
 Module Type: 45 Series
 Opening Mechanism: Push & Slide Locking System
 Opening Type: Soft Opening Pop Up Type
 Color: Silver
 Application: For Concrete Floors

• MX 7201



Customized Multimedia & Sockets on Request :

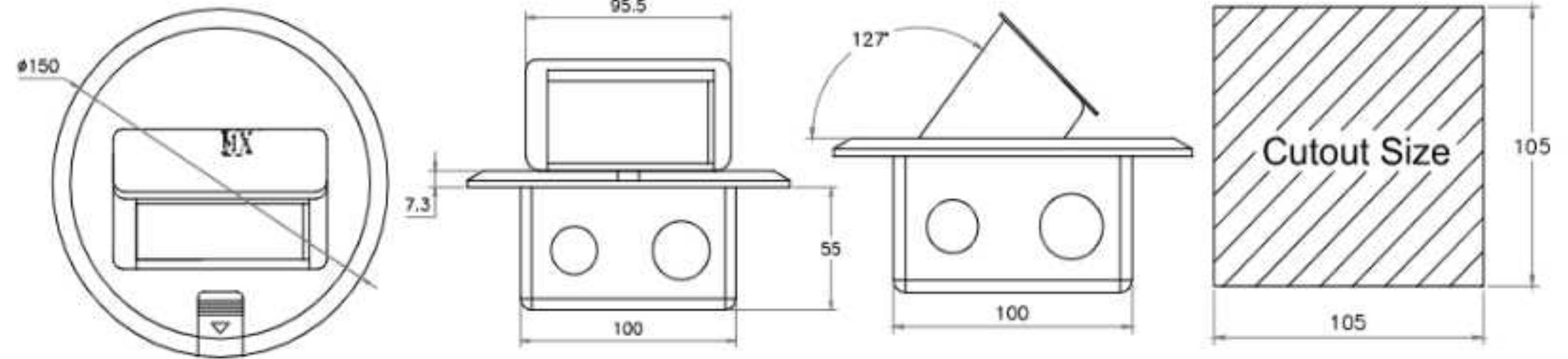


SPECIFICATION

Module Capacity: 3 (Without Modules)
 Material: **Aluminium**
 Module Type: 45 Series
 Opening Mechanism: Push & Slide Locking System
 Opening Type: Soft Opening Pop Up Type
 Color: Silver
 Application: For Concrete Floors



• **MX 7204**

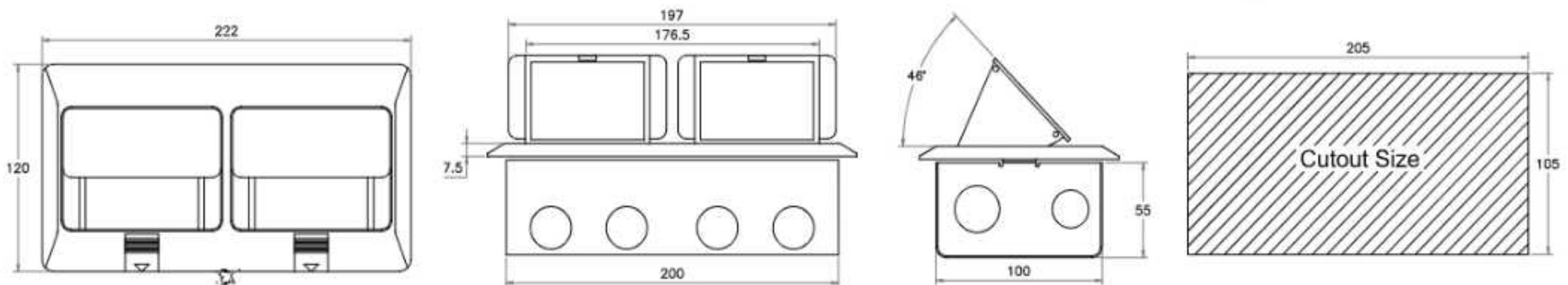


SPECIFICATION

Module Capacity: 6 [2X3] (Without Modules)
 Material: **Aluminium**
 Module Type: 45 Series
 Opening Mechanism: Push & Slide Locking System
 Opening Type: Soft Opening Pop Up Type
 Color: Silver
 Application: For Concrete Floors

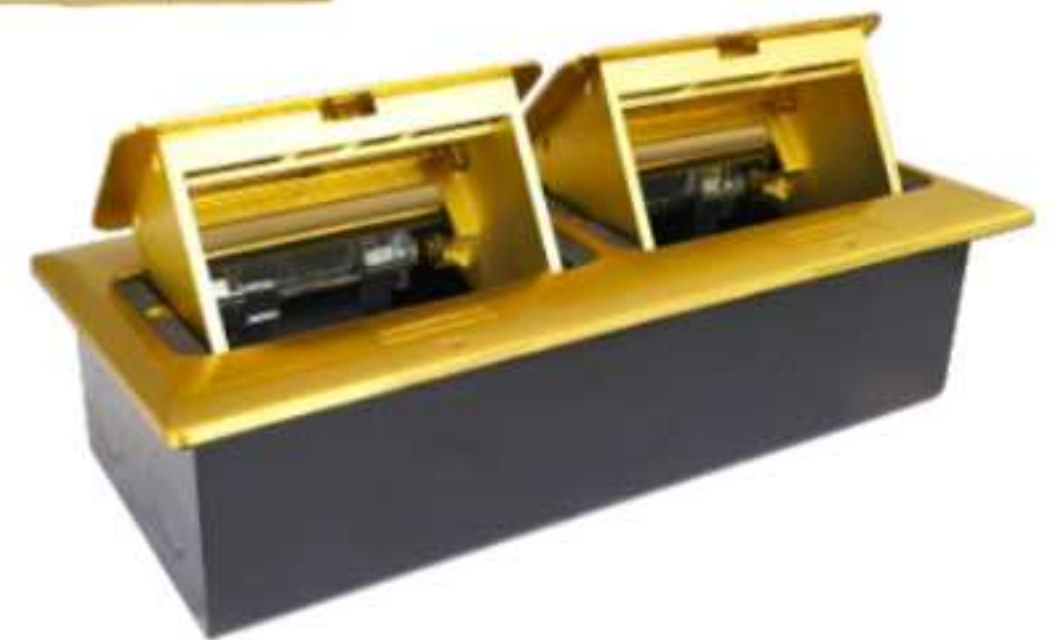


• **MX 7202**

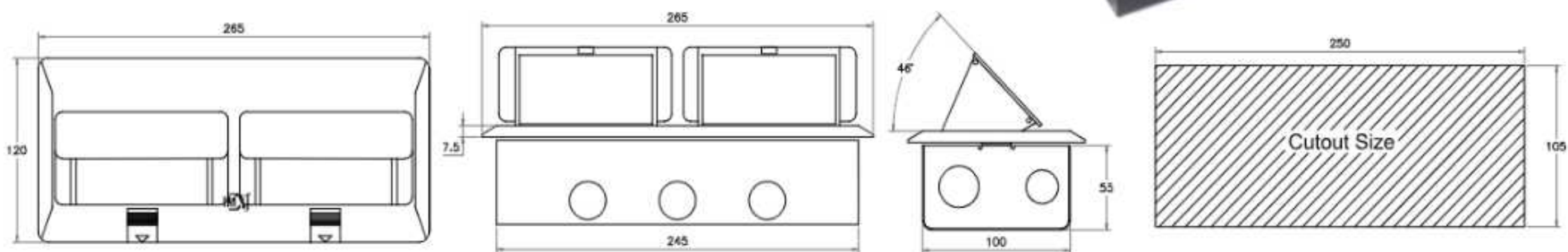


SPECIFICATION

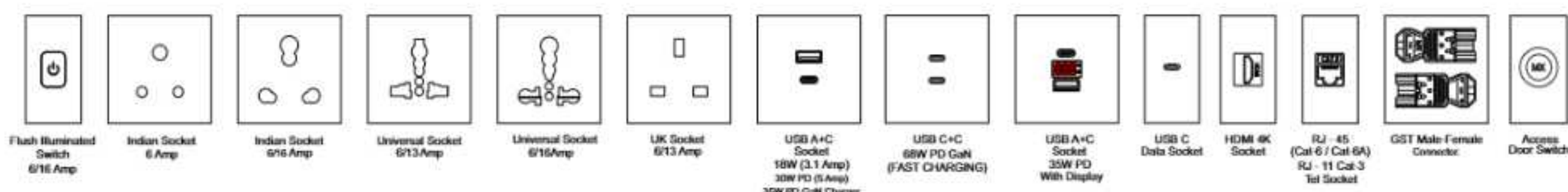
Module Capacity: 8 [2X4] (Without Modules)
 Material: **Brass**
 Module Type: 45 Series
 Opening Mechanism: Push & Slide Locking System
 Opening Type: Soft Opening Pop Up Type
 Color: Brushed Brass
 Application: For Concrete Floors

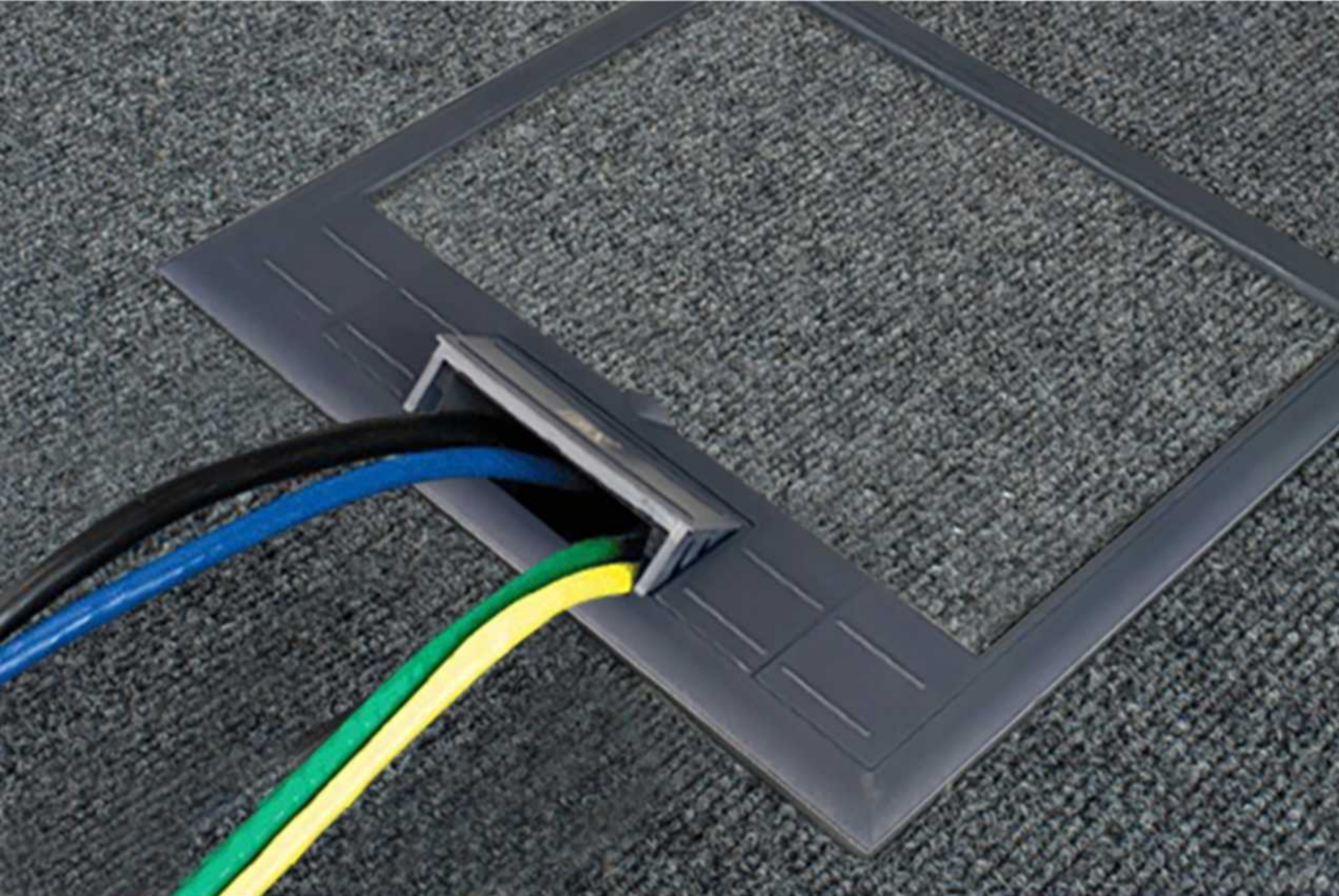


• **MX 7203**



Customized Multimedia & Sockets on Request :





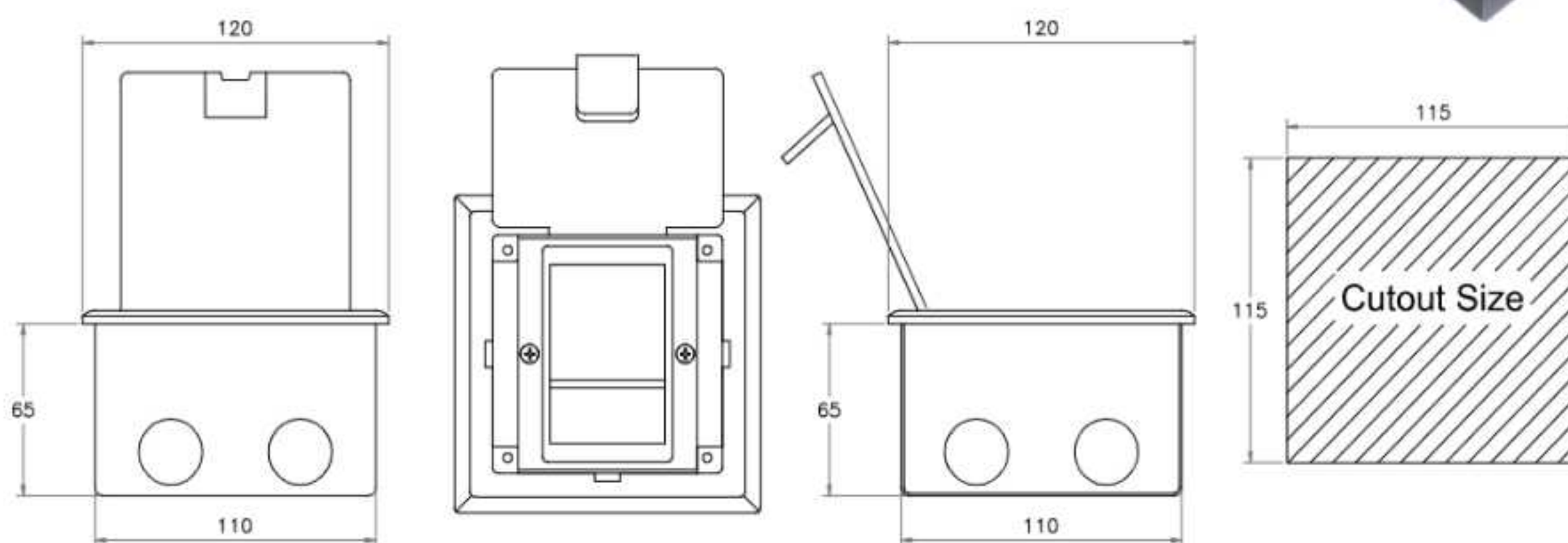
MX Open Type Floor Boxes

The MX Open Type Floor Box series delivers durability, versatility, and value without compromising on quality, providing a dependable solution for power, data, and multimedia connectivity in a single compact unit. Designed for both concrete and raised access floors, each box features an adjustable base and clamp fixing system for easy installation, while the reversible stainless-steel lid with a flush-mounted 90° top cover ensures long-lasting strength and a neat appearance. A recessed flip-up handle allows effortless access, and the integrated retaining guard protects cables during use. With modular flexibility for Type 45 series sockets, these floor boxes adapt seamlessly to offices, conference rooms, schools, computer labs, and commercial spaces—making them a practical choice for functional and organized environments.

SPECIFICATION

Module Capacity: 3 (Without Modules)
 Material: **Stainless Steel**
 Module Type: 45 Series
 Opening Mechanism: Flush Mounting System
 Opening Type: 90 Degrees Top Cover
 Color: Silver
 Application: For Concrete Floors

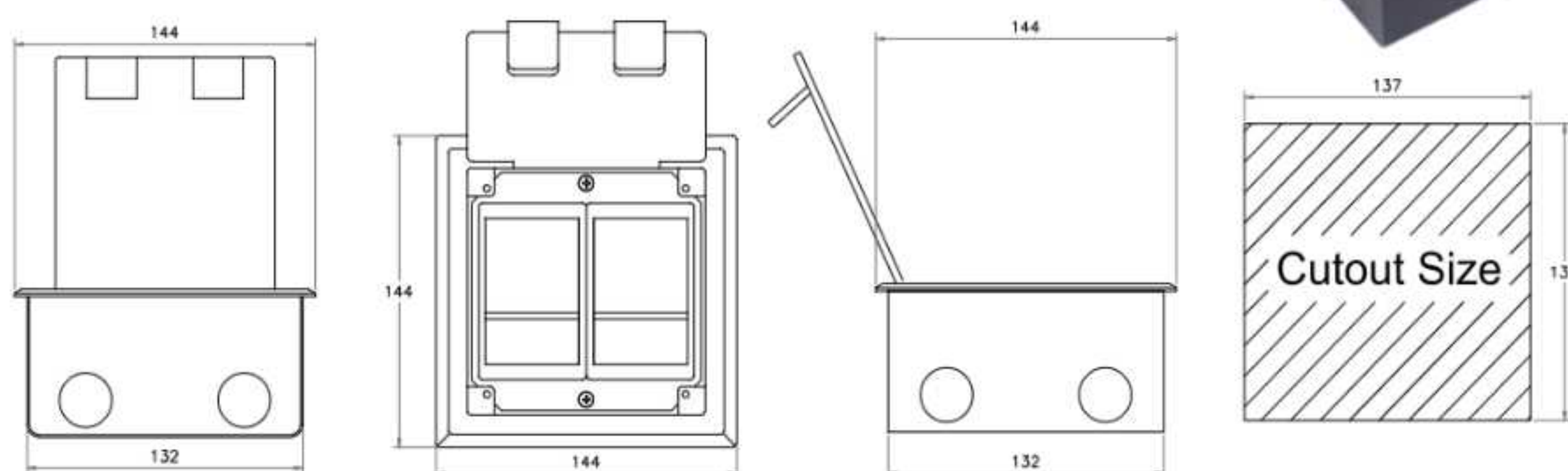
• MX 7205



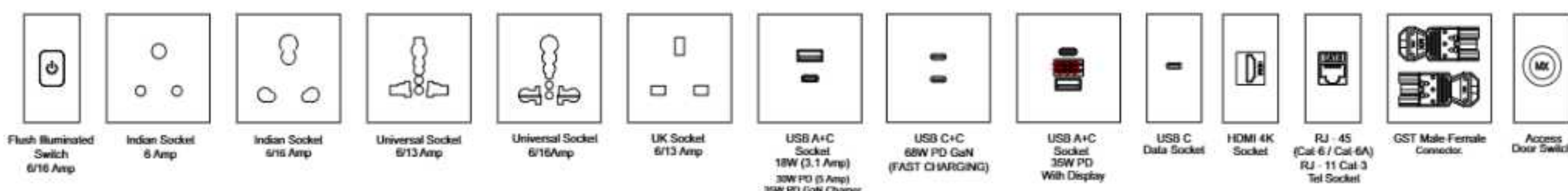
SPECIFICATION

Module Capacity: 6 (Without Modules)
 Material: **Stainless Steel**
 Module Type: 45 Series
 Opening Mechanism: Flush Mounting System
 Opening Type: 90 Degrees Top Cover
 Color: Silver
 Application: For Concrete Floors

• MX 7206



Customized Multimedia & Sockets on Request :

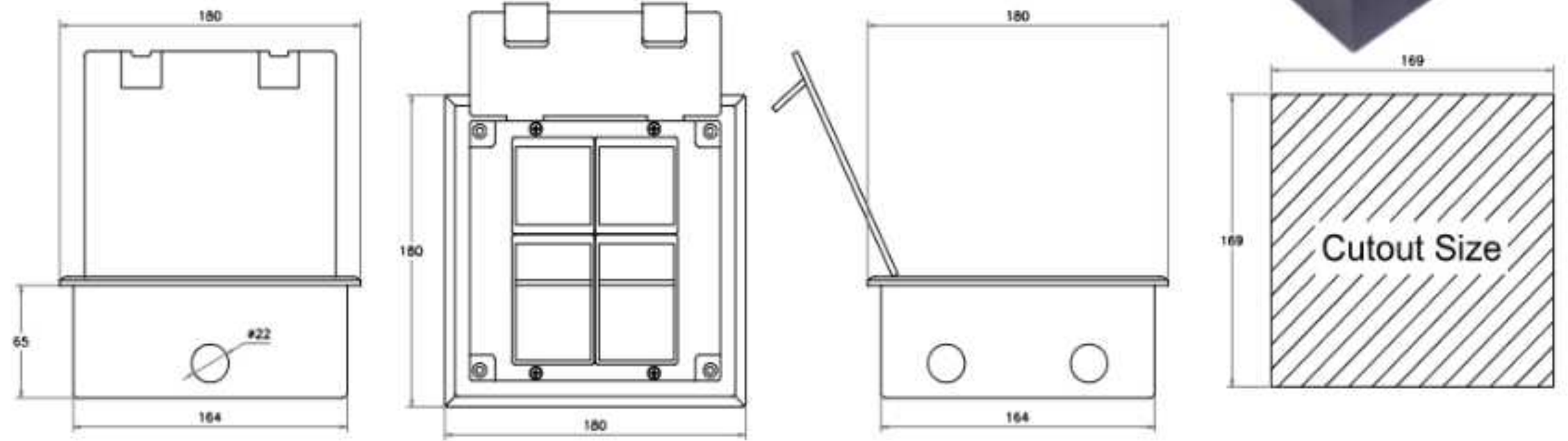


SPECIFICATION

Module Capacity: **10** (Without Modules)
 Material: **Stainless Steel**
 Module Type: 45 Series
 Opening Mechanism: Flush Mounting System
 Opening Type: 90 Degrees Top Cover
 Color: Silver
 Application: For Concrete Floors



• **MX 7211**

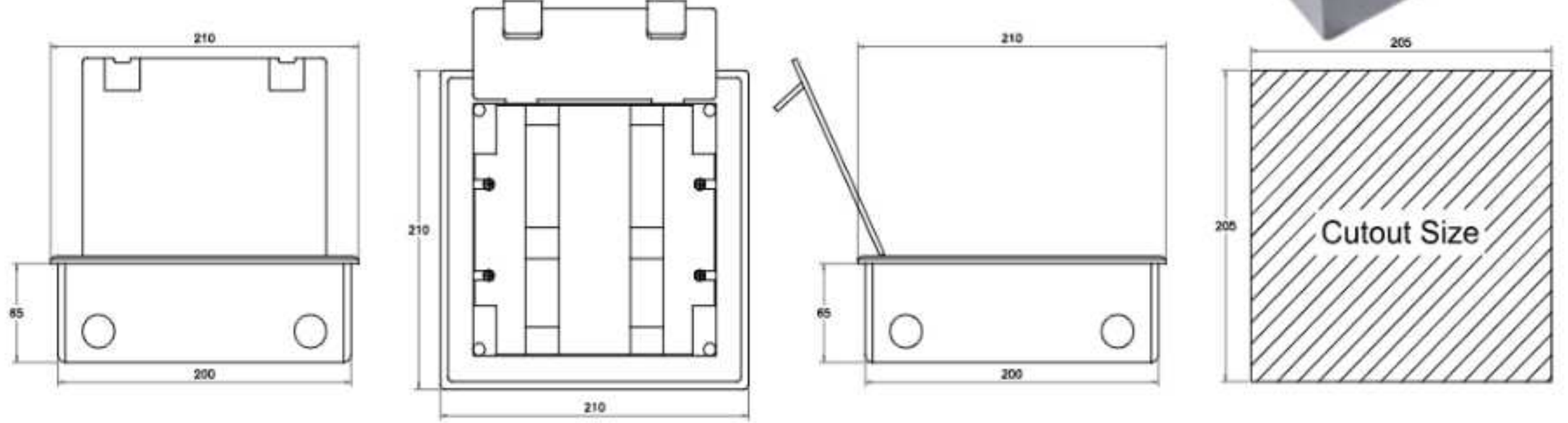


SPECIFICATION

Module Capacity: **10** Curved (Without Modules)
 Material: **Stainless Steel**
 Module Type: 45 Series
 Opening Mechanism: Flush Mounting System
 Opening Type: 90 Degrees Top Cover
 Color: Silver
 Application: For Concrete Floors



• **MX 7212**

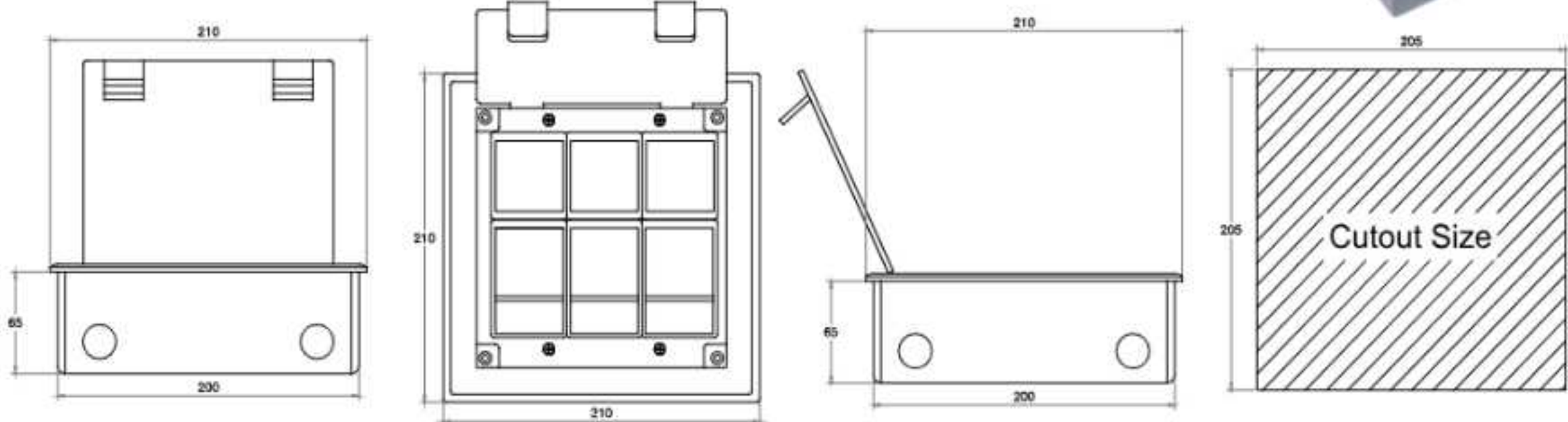


SPECIFICATION

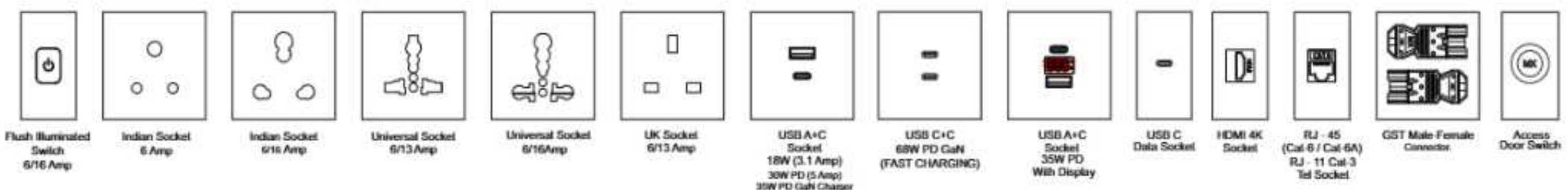
Module Capacity: **15** (Without Modules)
 Material: **Stainless Steel**
 Module Type: 45 Series
 Opening Mechanism: Flush Mounting System
 Opening Type: 90 Degrees Top Cover
 Color: Silver
 Application: For Concrete Floors



• **MX 7213**



Customized Multimedia & Sockets on Request :



MX Recess Lid Plastic Floor Boxes

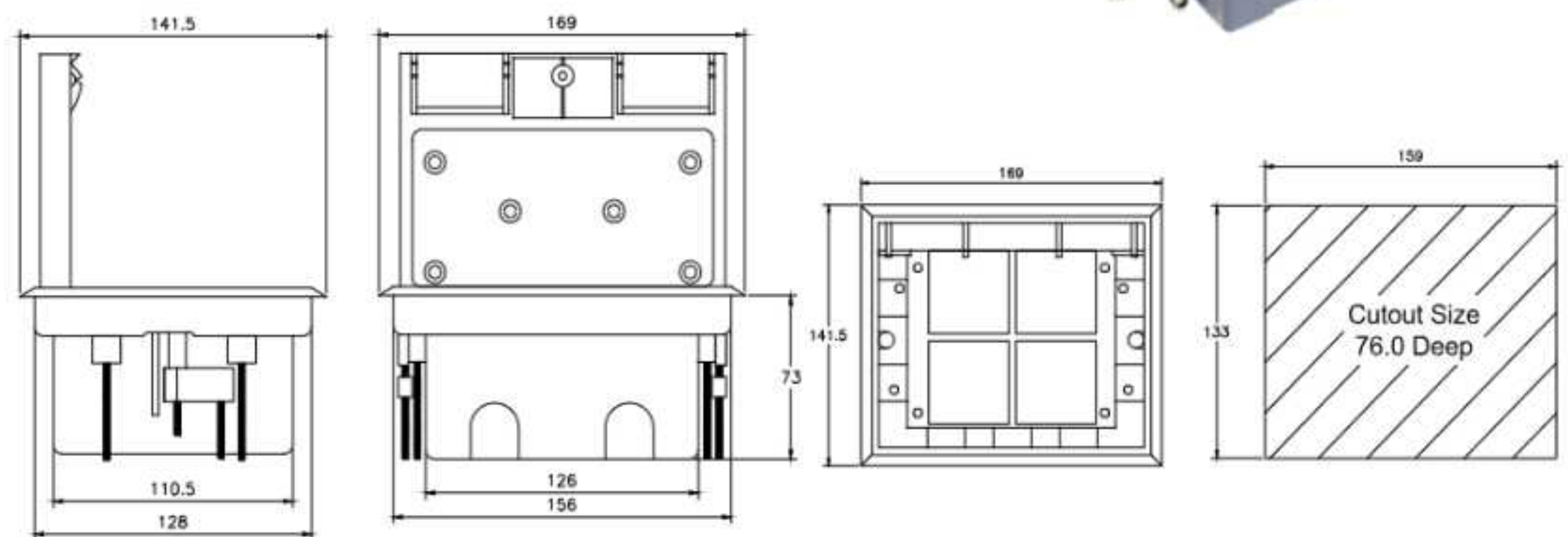
The MX Recess Lid Plastic Floor Box series is a durable yet lightweight solution, designed to accommodate up to twenty-four 45 Series modules within concrete floors, making it ideal for commercial, industrial, and premium residential applications. Constructed from heavy-duty plastic reinforced with stainless steel, it ensures long-lasting strength, while the lid features a galvanized insert plate that adds durability and provides a smooth, flush floor finish. Suitable for recess sizes of 8–11mm, this floor box safeguards electrical and networking connections while maintaining a clean, organized look—delivering a reliable balance of performance, convenience, and design.

SPECIFICATION

Module Capacity: **8** (Without Modules)
 Material: **Plastic & Stainless Steel**
 Module Type: 45 Series
 Opening Mechanism: Recess Mounting System
 Opening Type: 8 to 11 mm Lid (8mm Cavity + 3mm thickness galvanized insert plate)
 Application: For Concrete Floors



• MX 7207

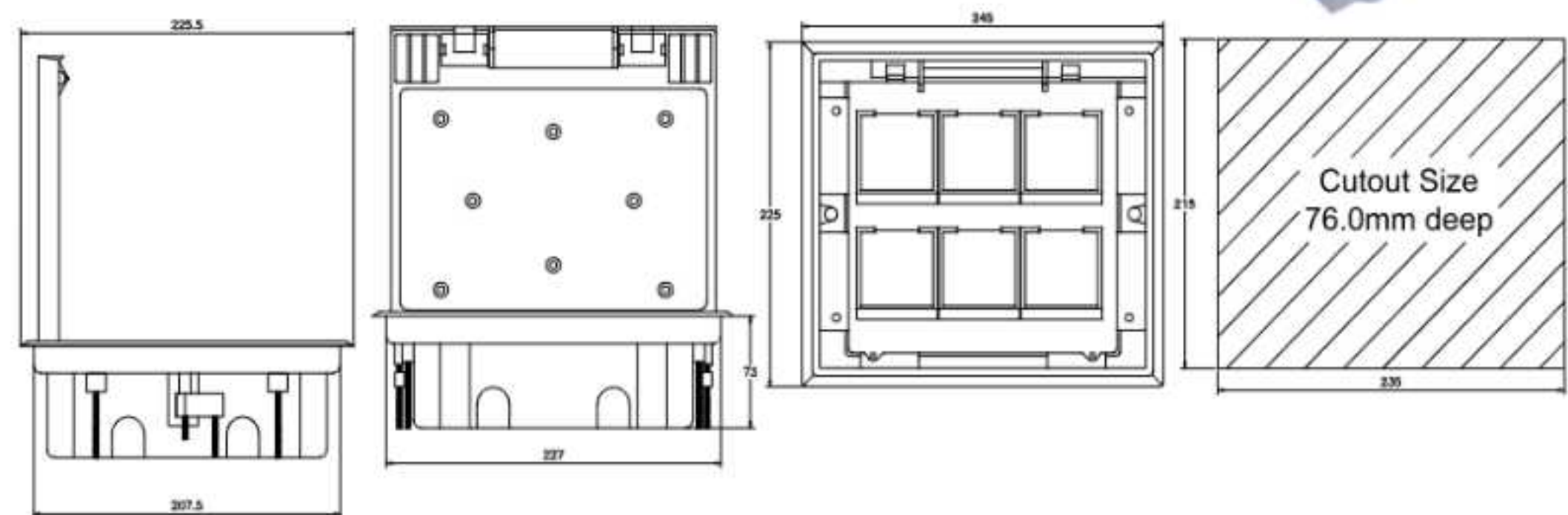


SPECIFICATION

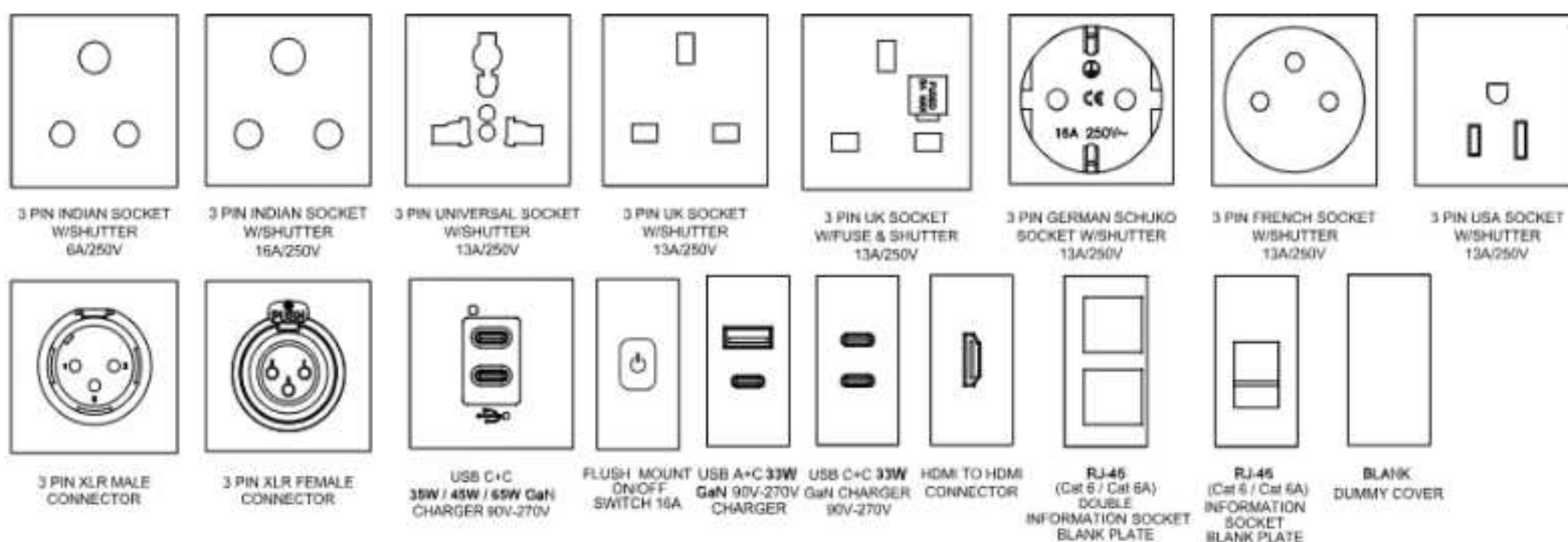
Module Capacity: **12** (Without Modules)
 Material: **Plastic & Stainless Steel**
 Module Type: 45 Series
 Opening Mechanism: Recess Mounting System
 Opening Type: 8 to 11 mm Lid (8mm Cavity + 3mm thickness galvanized insert plate)
 Application: For Concrete Floors



• MX 7208



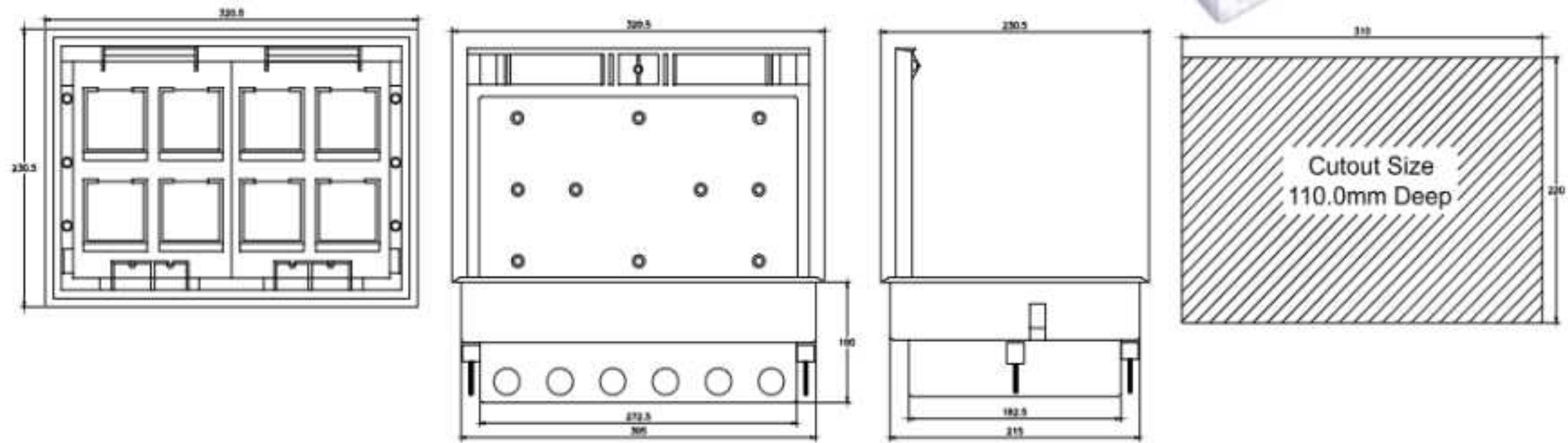
Customized Multimedia & Sockets on Request : (45x45mm & 22.5x45mm)



SPECIFICATION

Module Capacity: **16** (Without Modules)
 Material: **Plastic & Stainless Steel**
 Module Type: 45 Series
 Opening Mechanism: Recess Mounting System
 Opening Type: 8 to 11 mm Lid (8mm Cavity + 3mm thickness galvanized insert plate)
 Application: For Concrete Floors

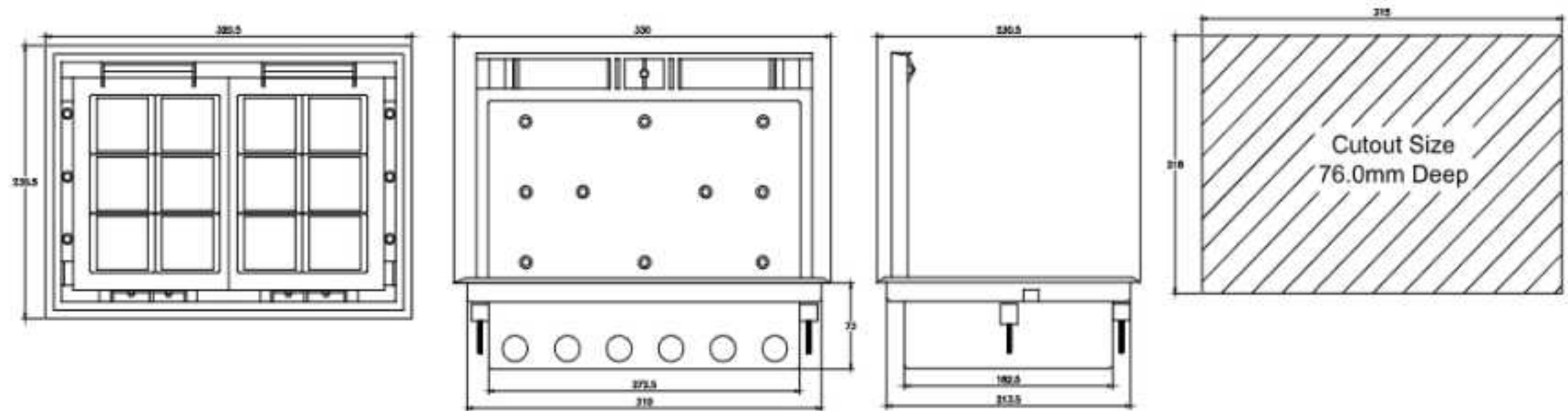
• **MX 7209**



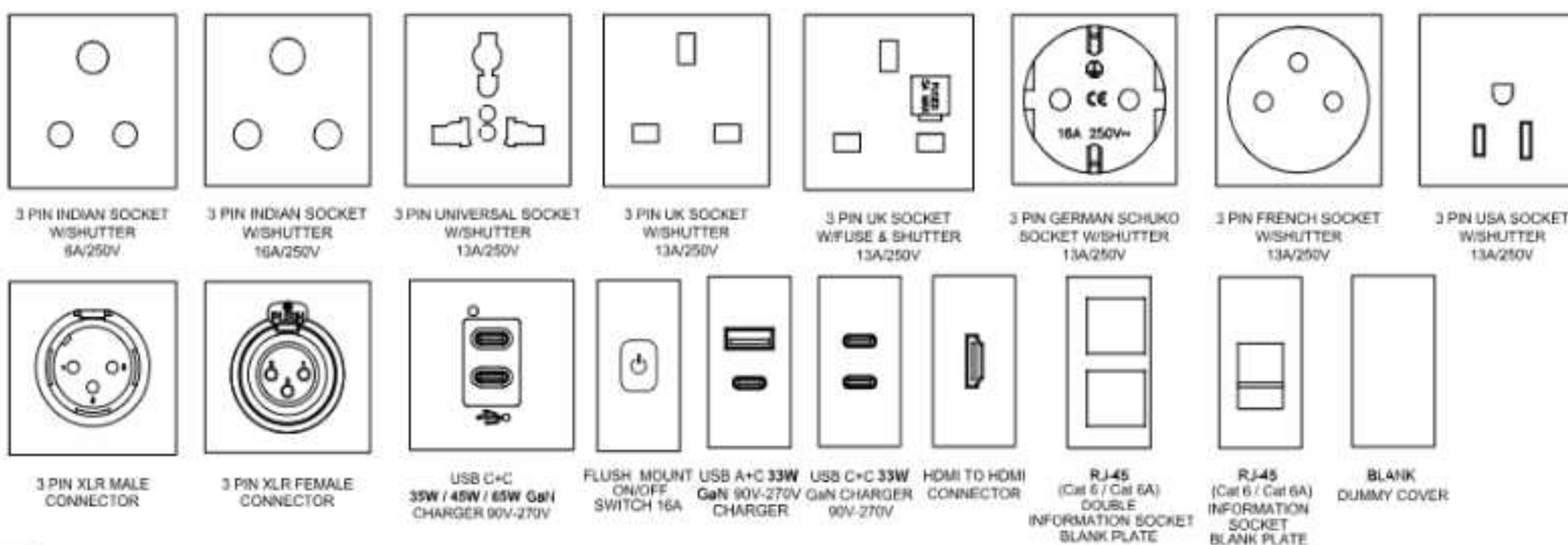
SPECIFICATION

Module Capacity: **24** (Without Modules)
 Material: **Plastic & Stainless Steel**
 Module Type: 45 Series
 Opening Mechanism: Recess Mounting System
 Opening Type: 8 to 11 mm Lid (8mm Cavity + 3mm thickness galvanized insert plate)
 Application: For Concrete Floors

• **MX 7210**



Customized Multimedia & Sockets on Request : (45x45mm & 22.5x45mm)





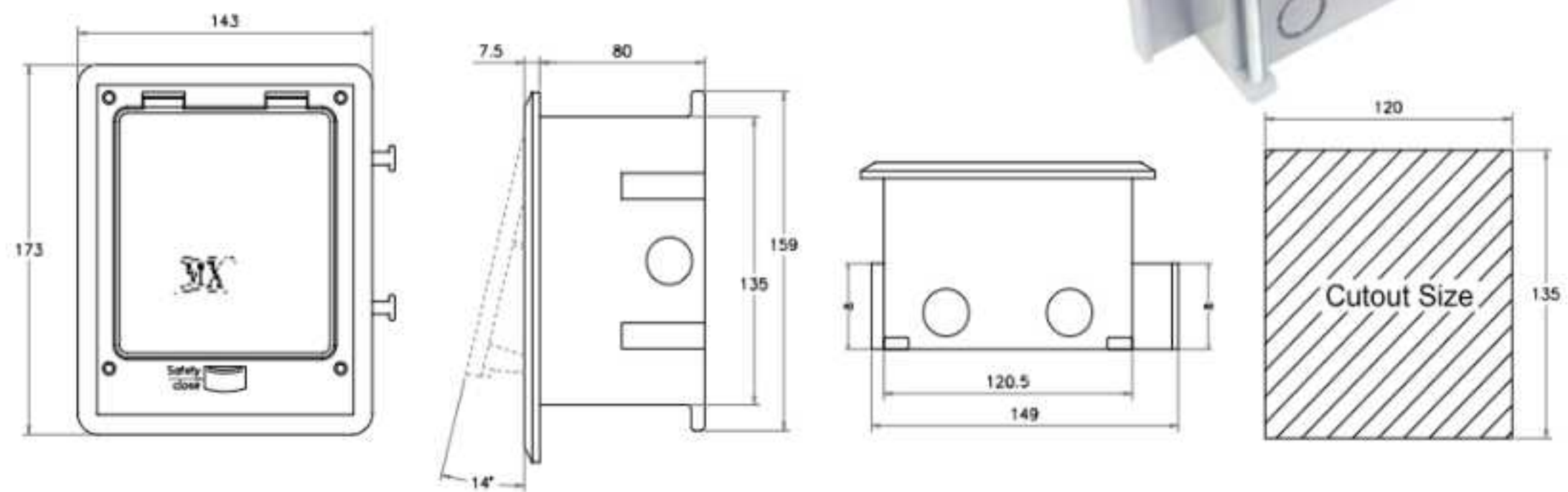
MX Watertight Floor Boxes With IP65 & IP66 Rating

The MX Watertight Floor Box series is engineered to provide dependable power and data access in concrete or raised floor structures, offering a combination of durability and ease of use for environments where longevity is essential. With stainless steel and zinc alloy lid panels featuring anti-corrosive properties, these units deliver IP65 and IP66 protection against dust ingress and water jets from any direction, ensuring reliable performance even in demanding conditions. A secure lid-locking system protects cables under pressure, while the slide push-button opening mechanism ensures easy access. Available with multiple module options for customization, this series is perfectly suited for outdoor installations that require both protection and versatility.

SPECIFICATION

Module Capacity: 3 (Without Modules)
 Material: **Square Stainless Steel Plate**
 IP Rating: **IP66**
 Module Type: 45 Series
 Opening Mechanism: Slide Push Button
 Opening Type: Pull-Type Pop-Up
 Color: Silver

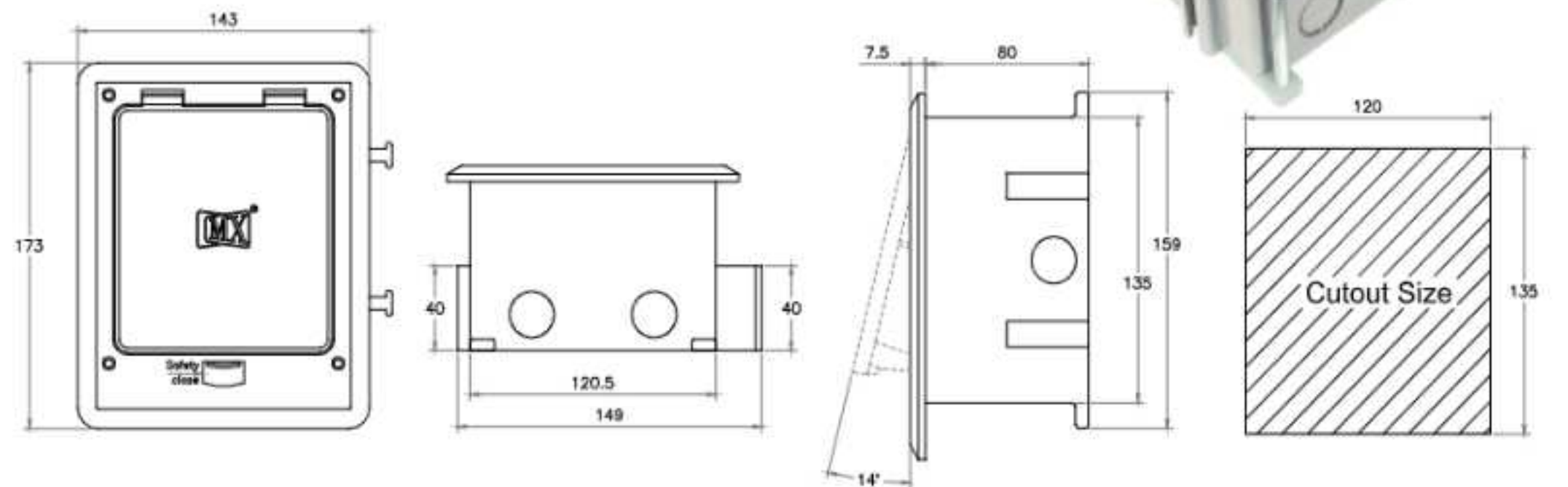
• **MX 7214**



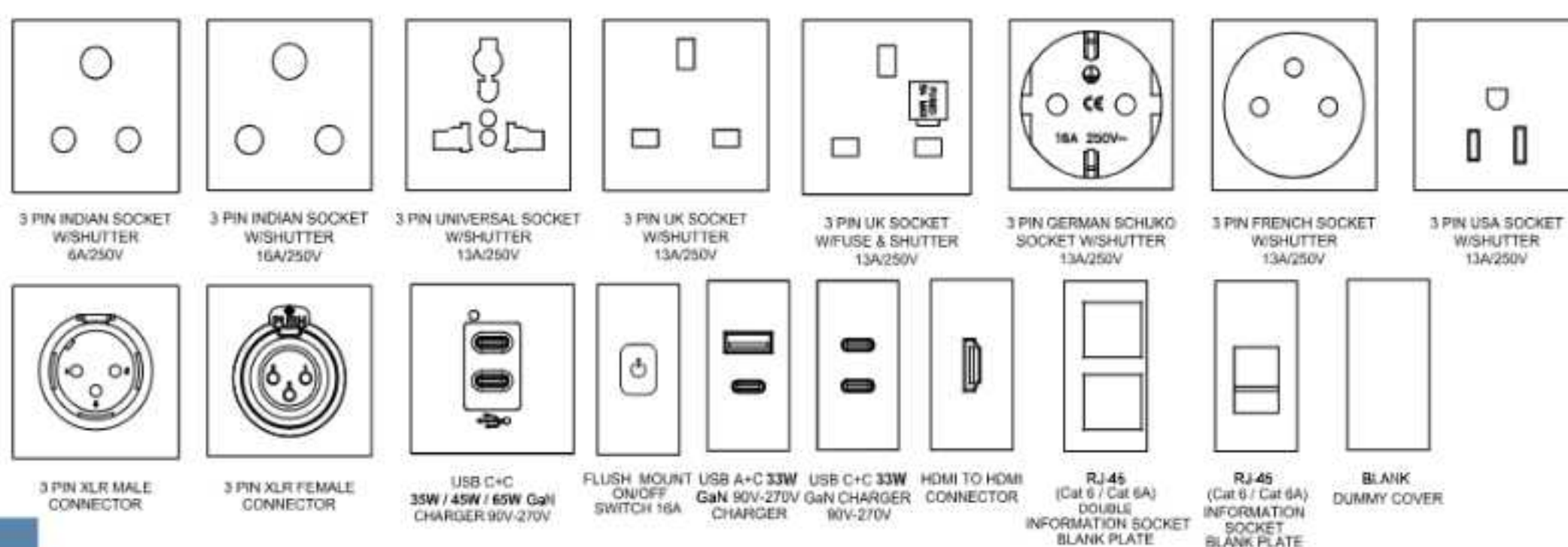
SPECIFICATION

Module Capacity: 6 (Without Modules)
 Material: **Square Stainless Steel Plate**
 IP Rating: **IP66**
 Module Type: 45 Series
 Opening Mechanism: Slide Push Button
 Opening Type: Pull-Type Pop-Up
 Color: Silver

• **MX 7215**



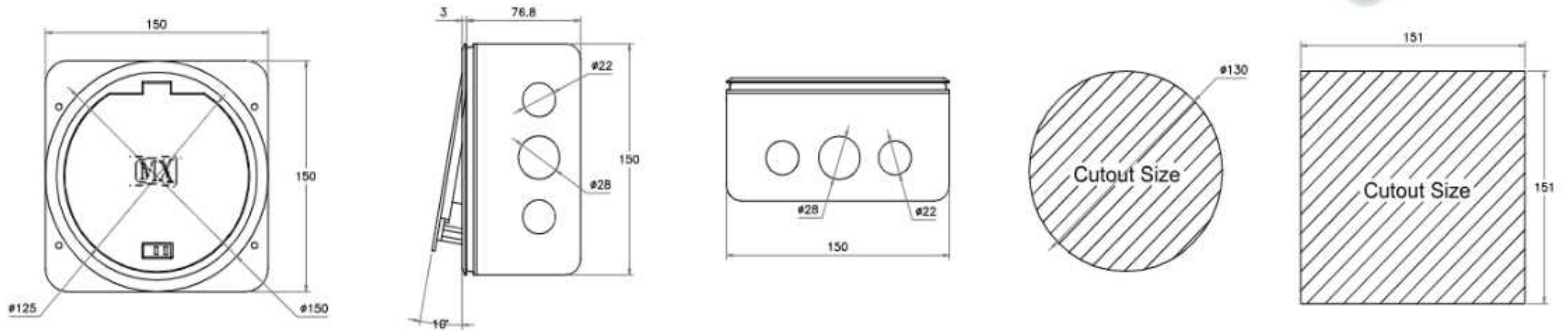
Customized Multimedia & Sockets on Request : (45x45mm & 22.5x45mm)



SPECIFICATION

Module Capacity: 4 + 2 Data Socket (Without Modules)
 Material: **Round Zinc Alloy Plate**
 IP Rating: **IP65**
 Module Type: 45 Series & 2 Data
 Opening Mechanism: Slide Push Button
 Opening Type: Leftward Pull-Tab Pop-Up Type
 Color: Silver

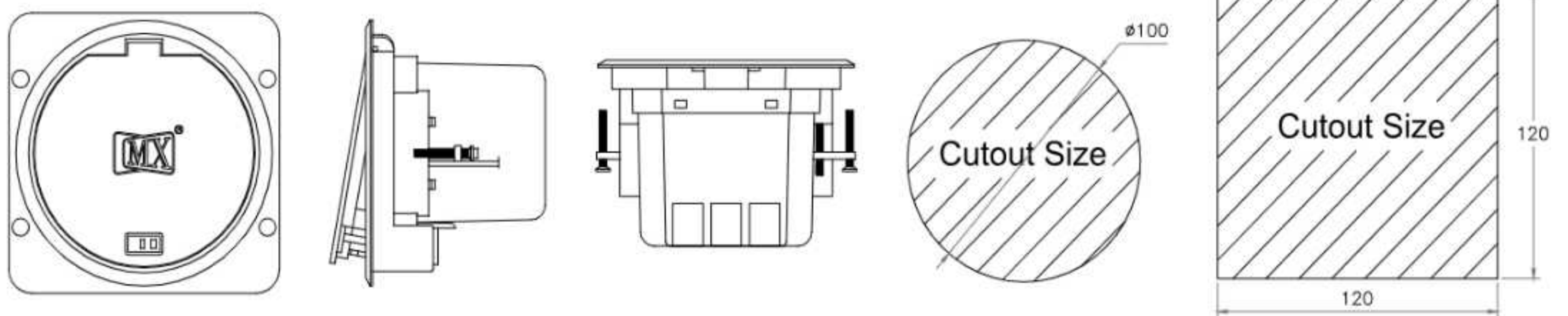
• **MX 7216**



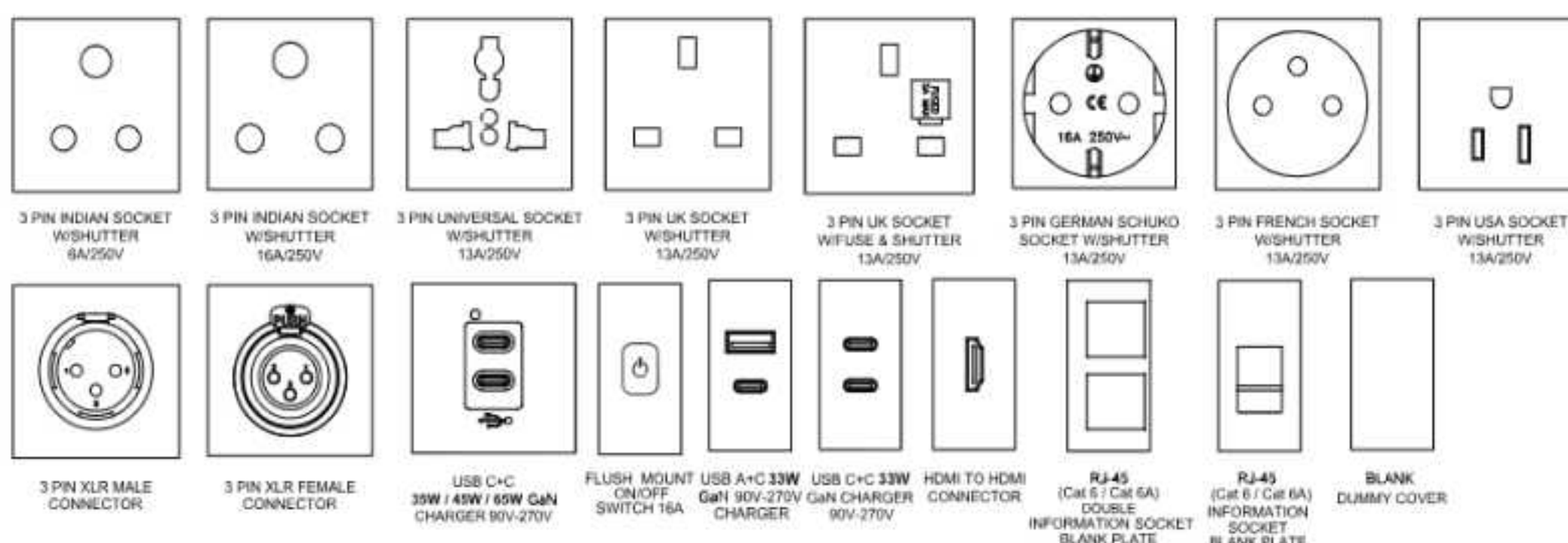
SPECIFICATION

Module Capacity: 3(Without Modules)
 Material: **Round Zinc Alloy Plate With Anti Scratch Finishing**
 IP Rating: **IP65**
 Module Type: 45 Series
 Opening Mechanism: Slide Push Button
 Opening Type: Leftward Pull-Tab Pop-Up Type
 Color: Silver

• **MX 7217**



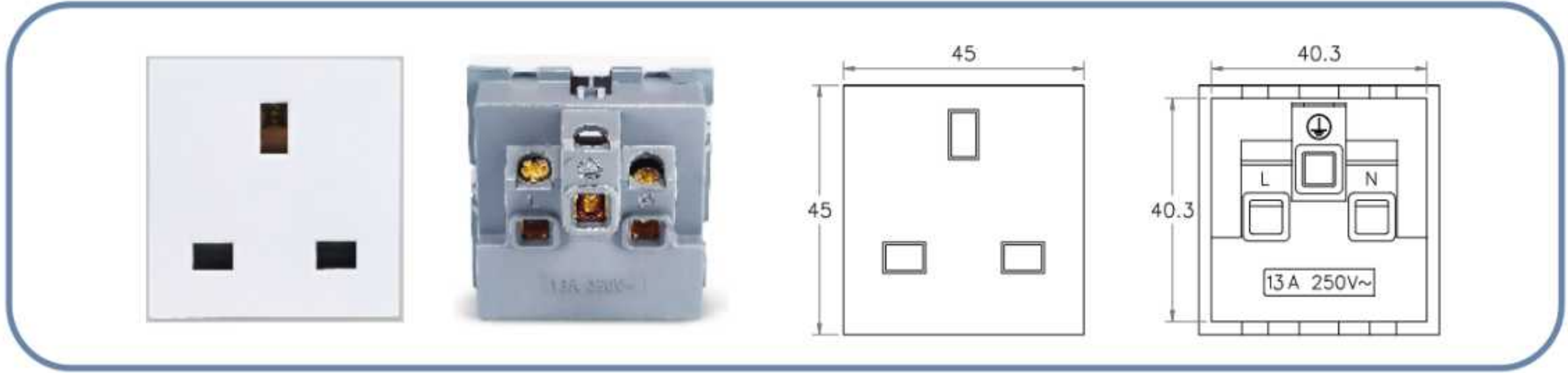
Customized Multimedia & Sockets on Request : (45x45mm & 22.5x45mm)



45 x 45mm Socket Plates

Compatible With all **European** & **UK** Brands

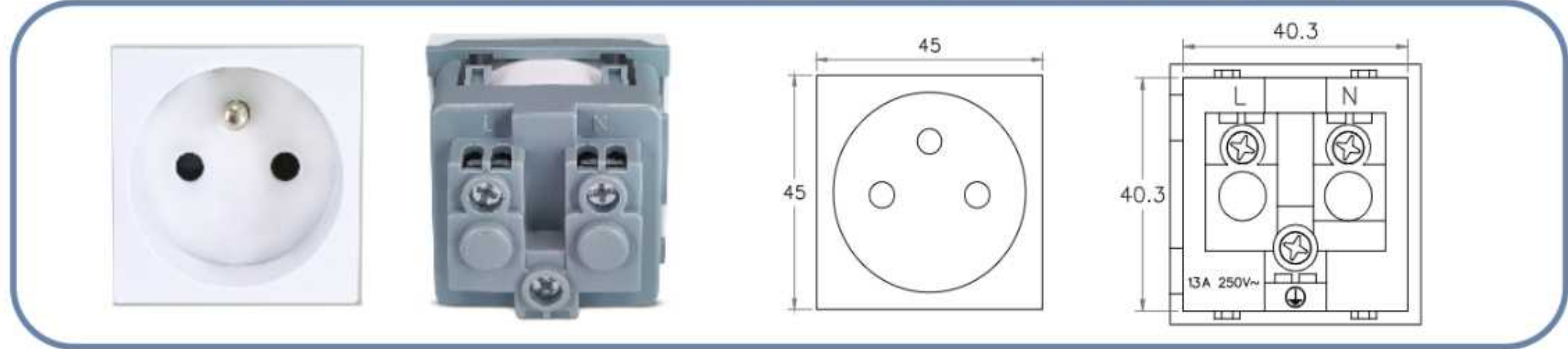
MX 7252 3 Pin UK Socket W/Shutter 2 Module 13A/250V **White**



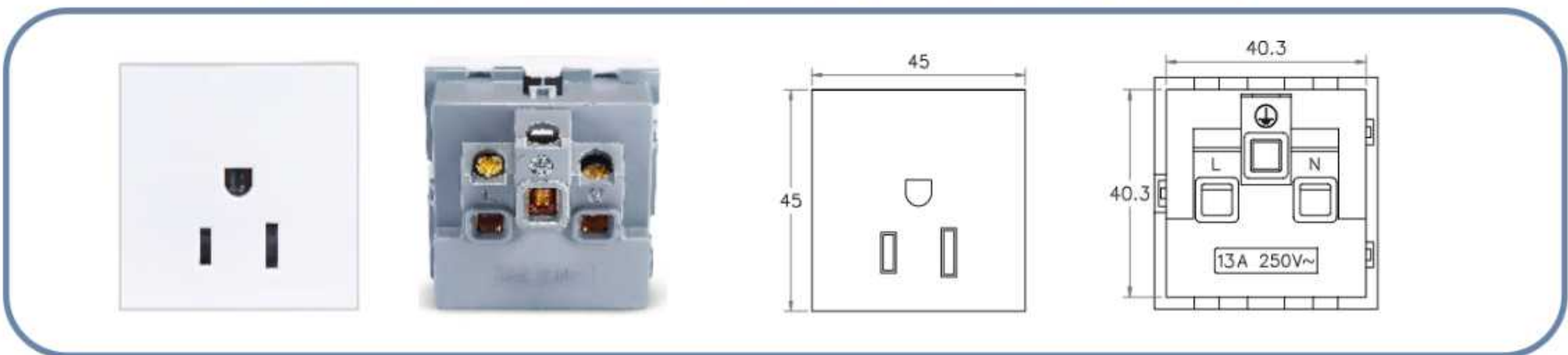
MX 7253 3 Pin German Schuko Socket W/Shutter 2 Module 13A/250V **White**



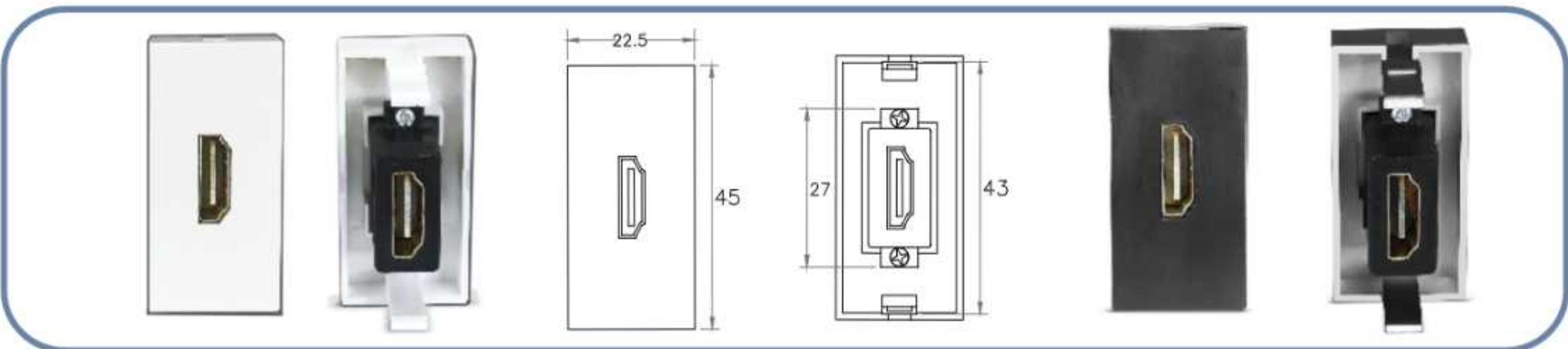
MX 7254 3 Pin French Socket W/Shutter 2 Module 13A/250V **White**



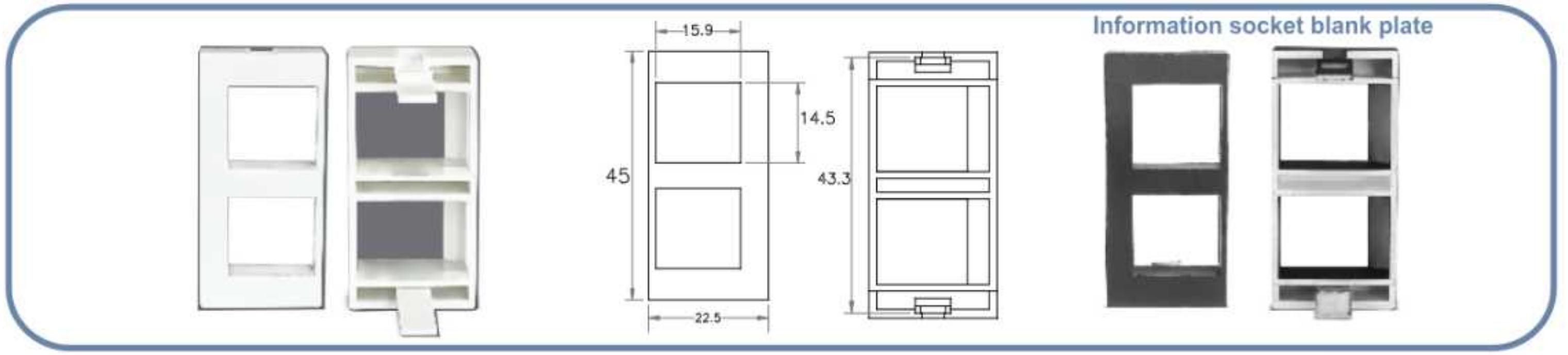
MX 7255 3 Pin USA Socket W/Shutter 2 Module 13A/250V **White**



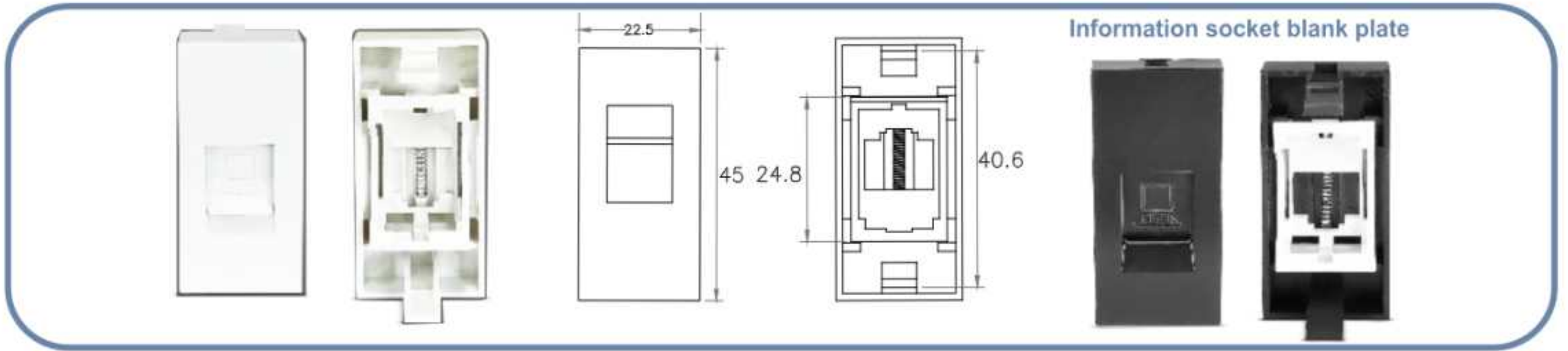
MX 7256 **White** HDMI To HDMI Connector 1 Module **MX 7257** **Black**



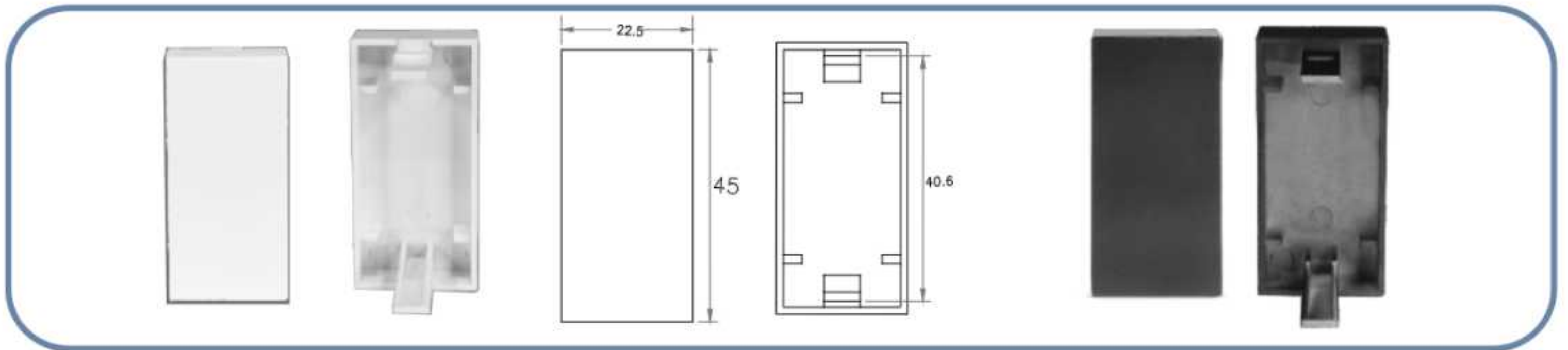
MX 7258 White RJ-45 (CAT6/CAT6A) Double 1 Module **MX 7259** Black



MX 7260 White RJ-45 (CAT6/CAT6A) 1 Module W/Shutter **MX 7261** Black

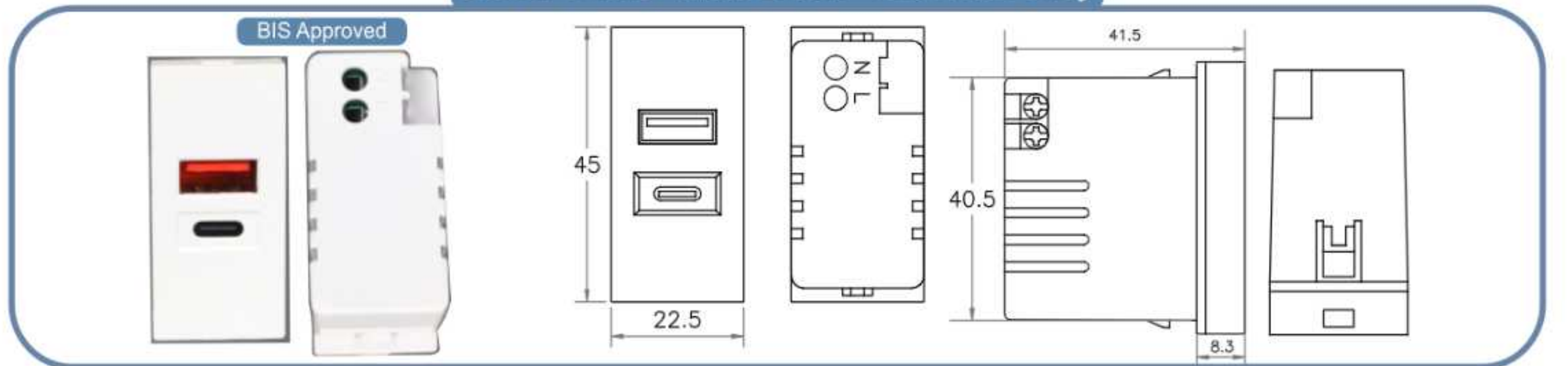


MX 7262 White Blank Dummy Cover 1 Module **MX 7263** Black



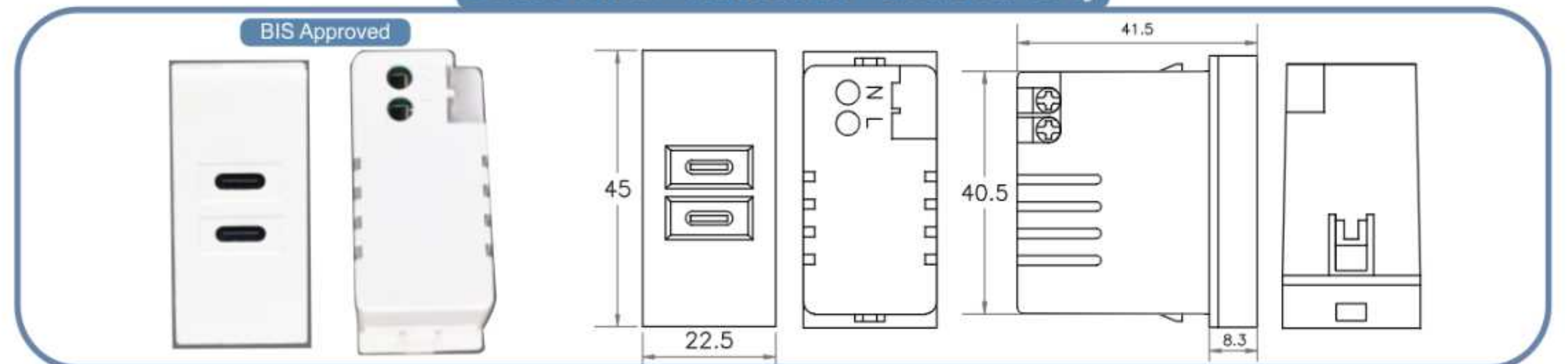
MX 7264 USB A+C 33W PD GaN Charger (90V-270V)

Color: White - Matt Black - Charcoal Grey



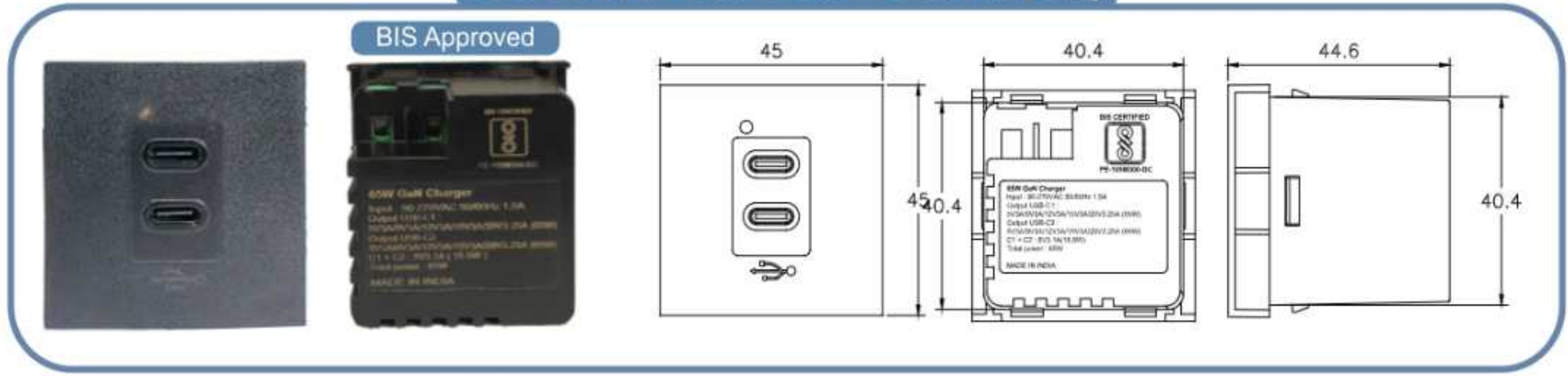
MX 7265 USB C+C 33W PD GaN Charger (90V-270V)

Color: White - Matt Black - Charcoal Grey



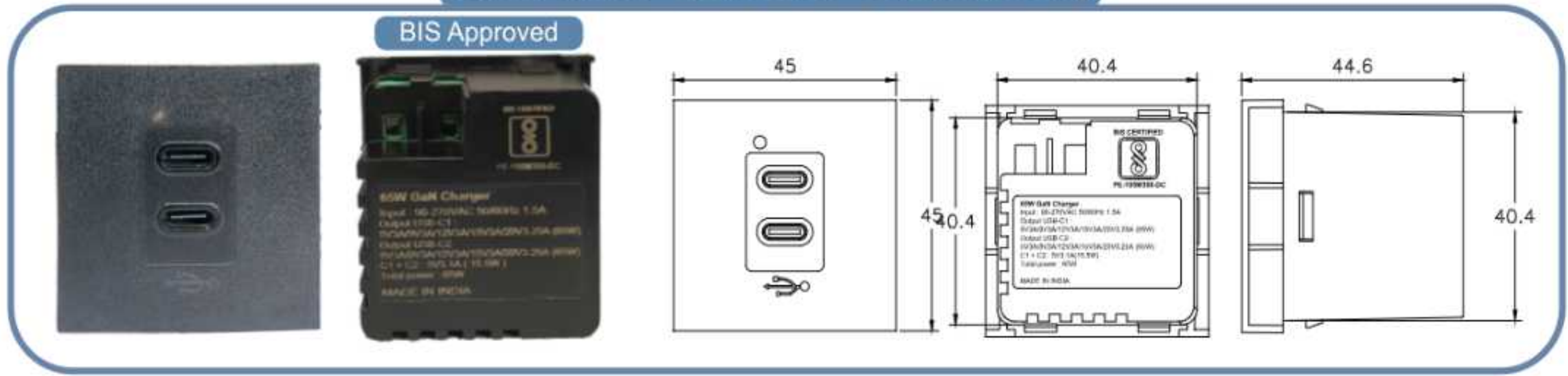
MX 7266 USB C+C 35W PD GaN Charger (90V-270V)

Color: White - Matt Black - Charcoal Grey



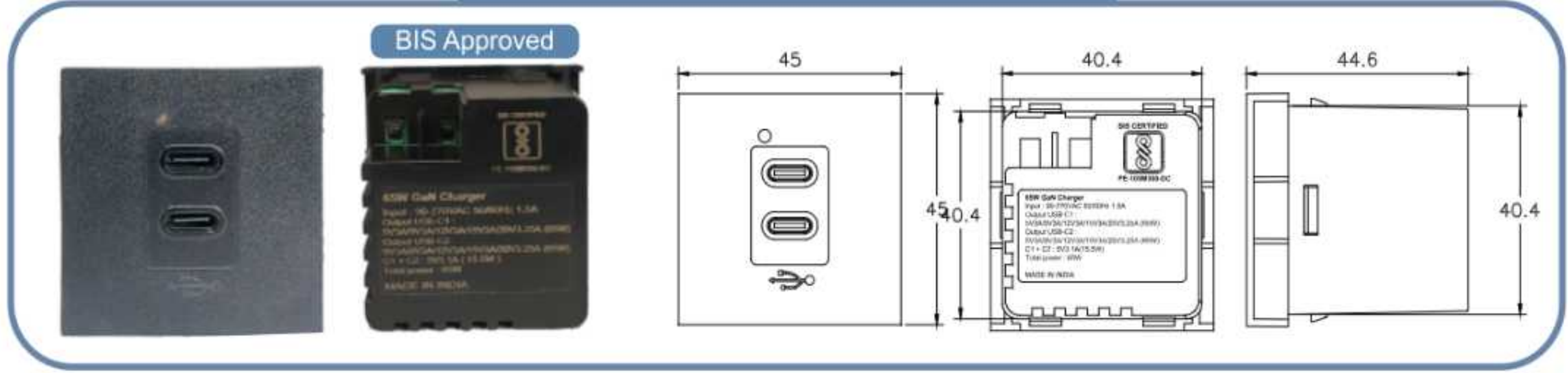
MX 7267 USB C+C 45W PD GaN Charger (90V-270V)

Color: White - Matt Black - Charcoal Grey



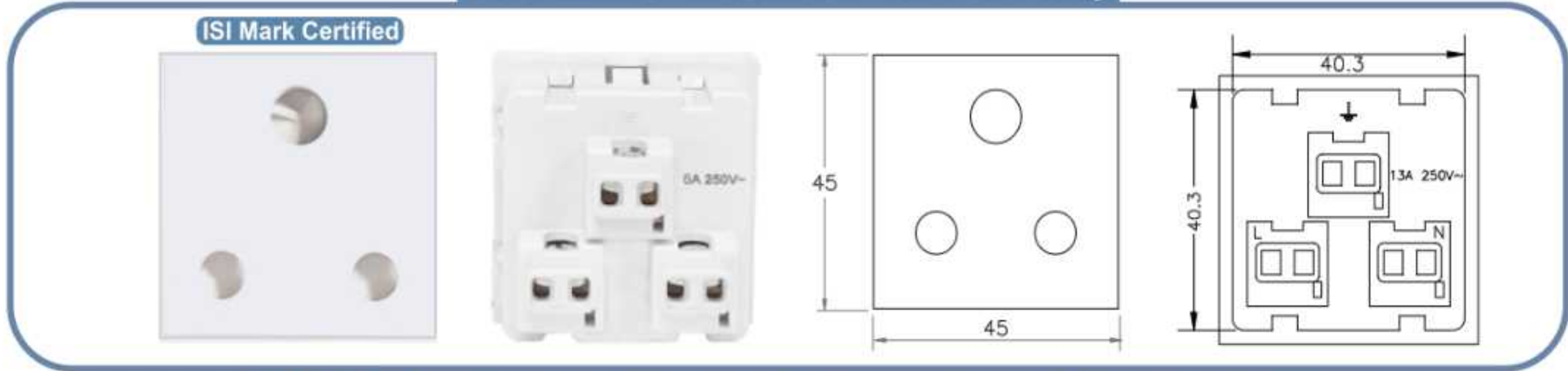
MX 7268 USB C+C 65W PD GaN Charger (90V-270V)

Color: White - Matt Black - Charcoal Grey



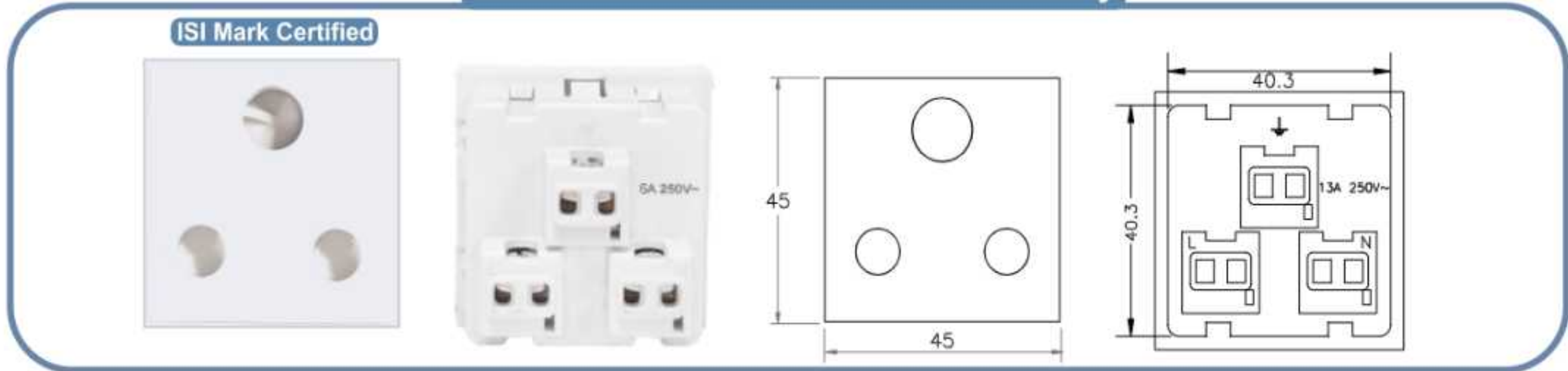
MX 7269 3 Pin Indian Standard Socket W/Shutter 2 Module 6A/250V

Color: White - Matt Black - Charcoal Grey



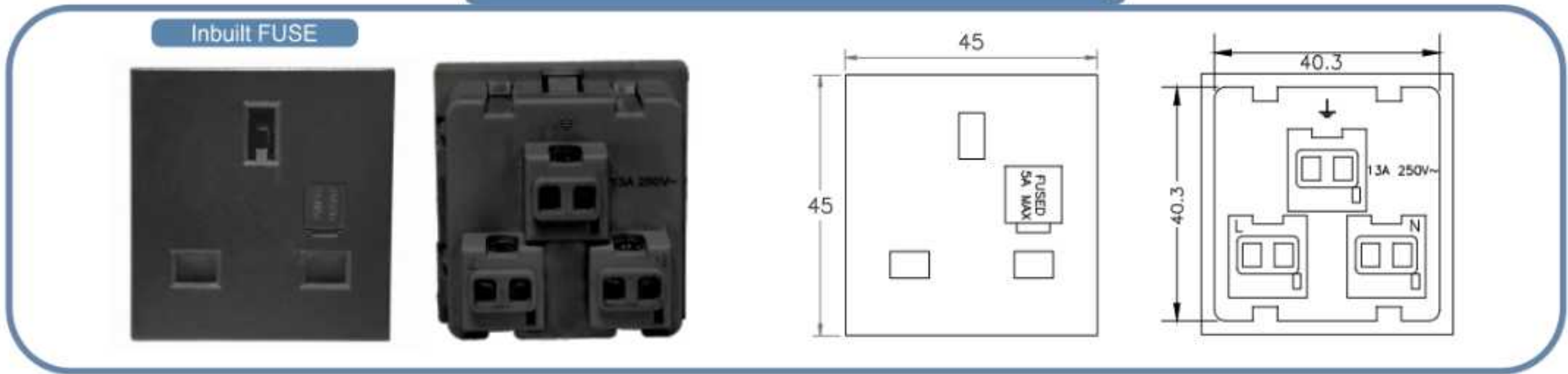
MX 7270 3 Pin Indian Standard Socket W/Shutter 2 Module 16A/250V

Color: White - Matt Black - Charcoal Grey



MX 7271 3 Pin UK Socket W/Shutter 2 Module 13A/250V **W/ FUSE**

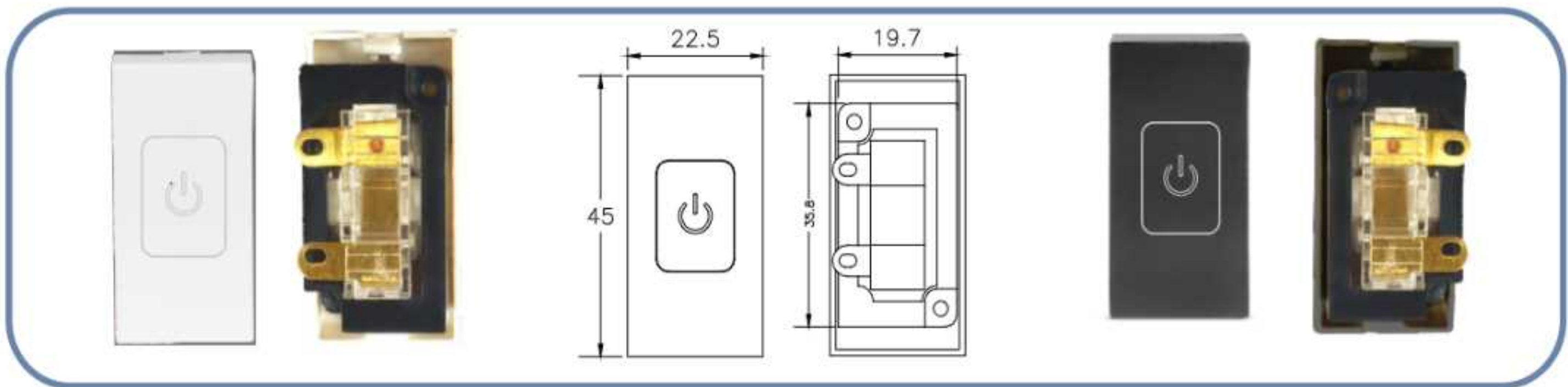
Color: White - Matt Black - Charcoal Grey



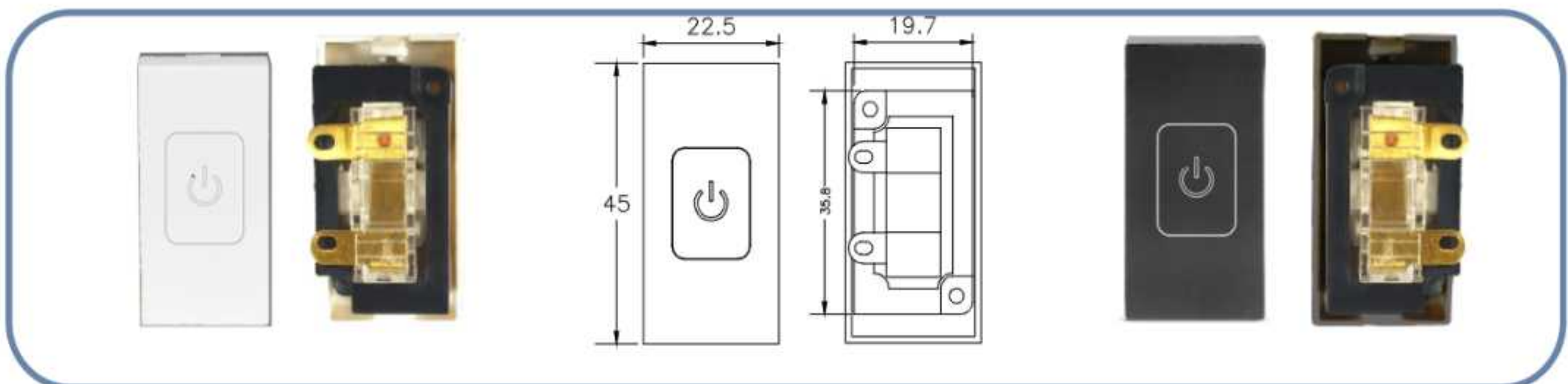
MX 7272 **White** 3 Pin XLR Male Connector **MX 7273** **White** 3 Pin XLR Female Connector



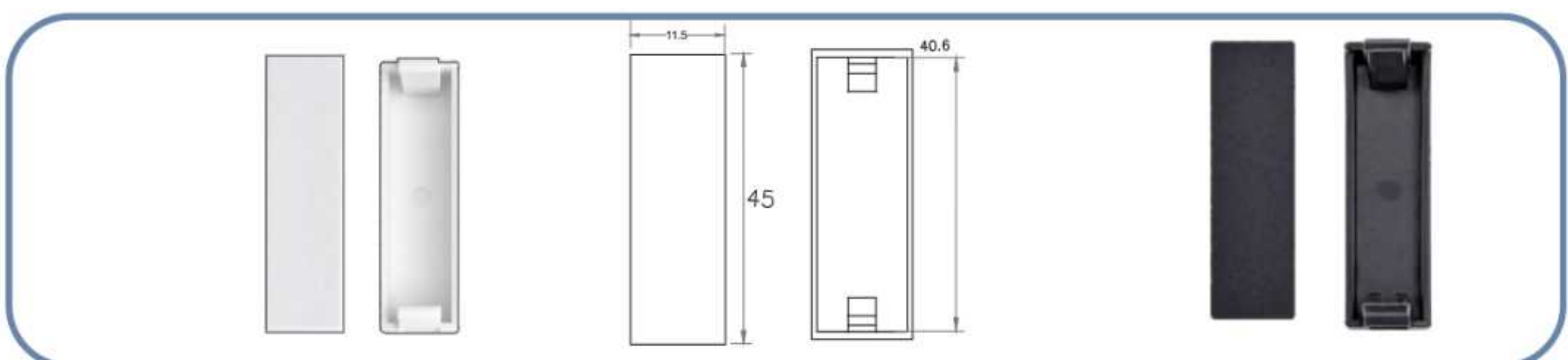
MX 7274 **White** Flush Mount illuminated ON/OFF switch 6Amps **Black**



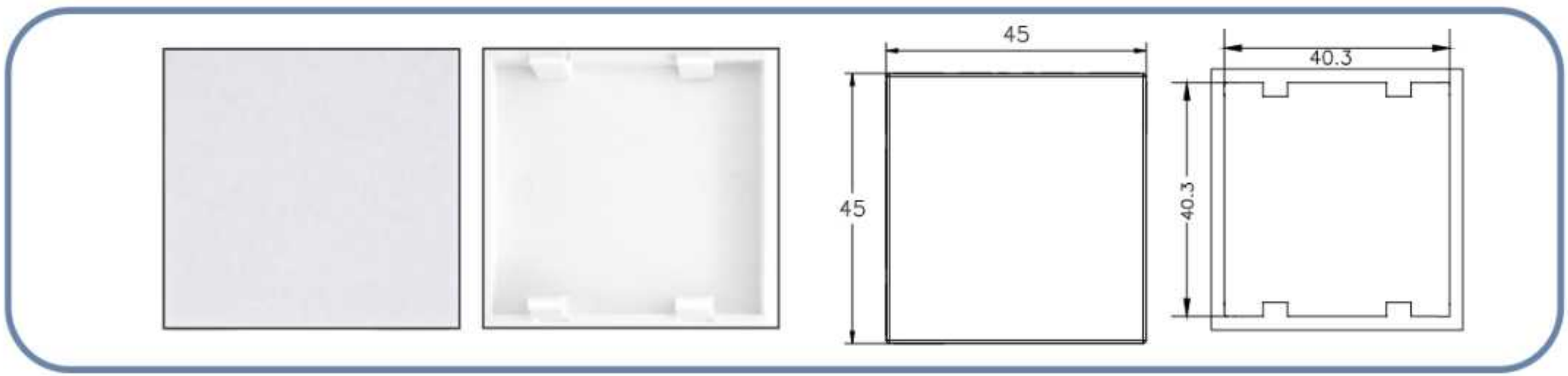
MX 7275 **White** Flush Mount illuminated ON/OFF switch 16Amps **Black**



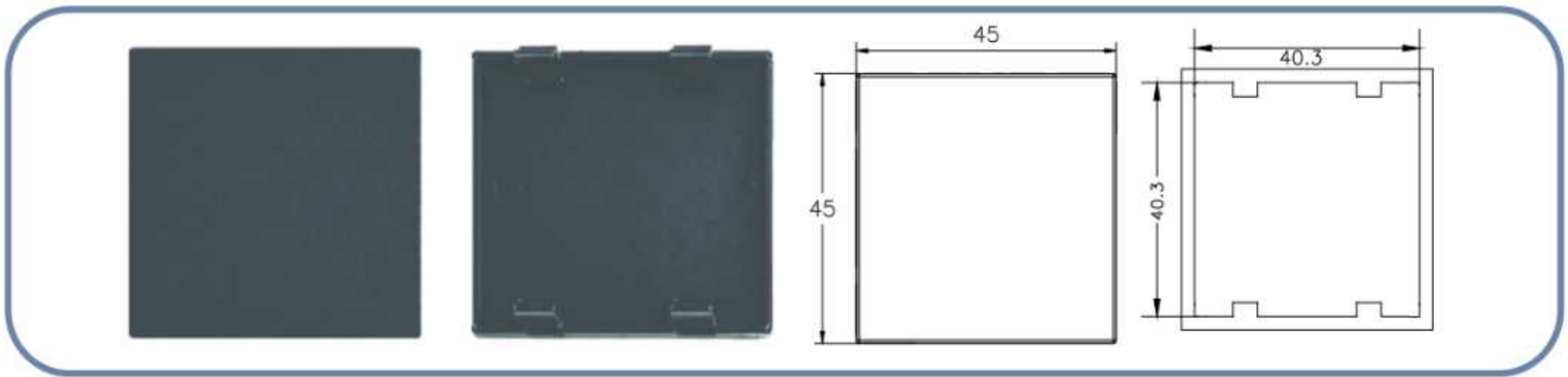
MX 7276 **White** Blank Dummy Cover 11.5x45mm Modular Socket Plate **MX 7277** **Black**



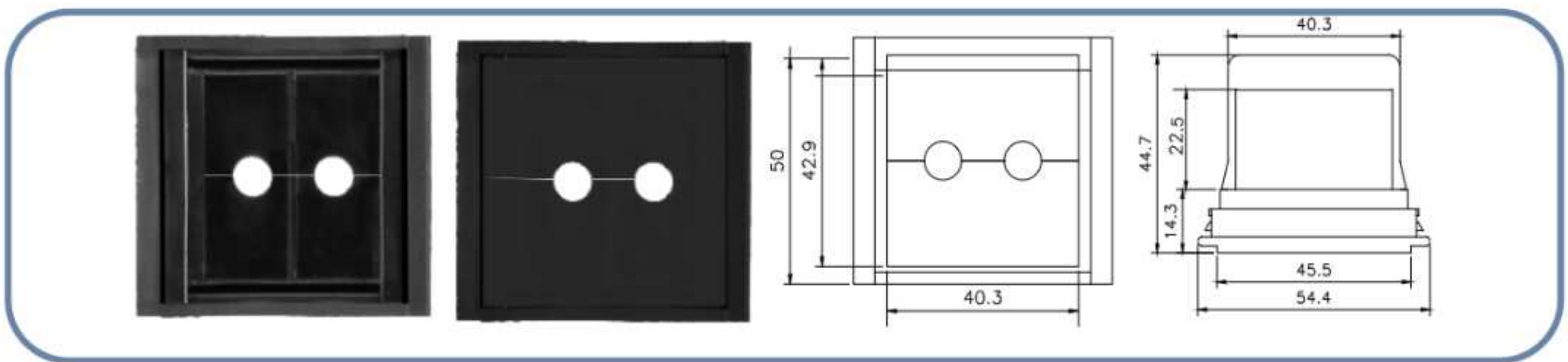
MX 7278 **White** Blank Dummy Cover 45x45mm Modular Socket Plate



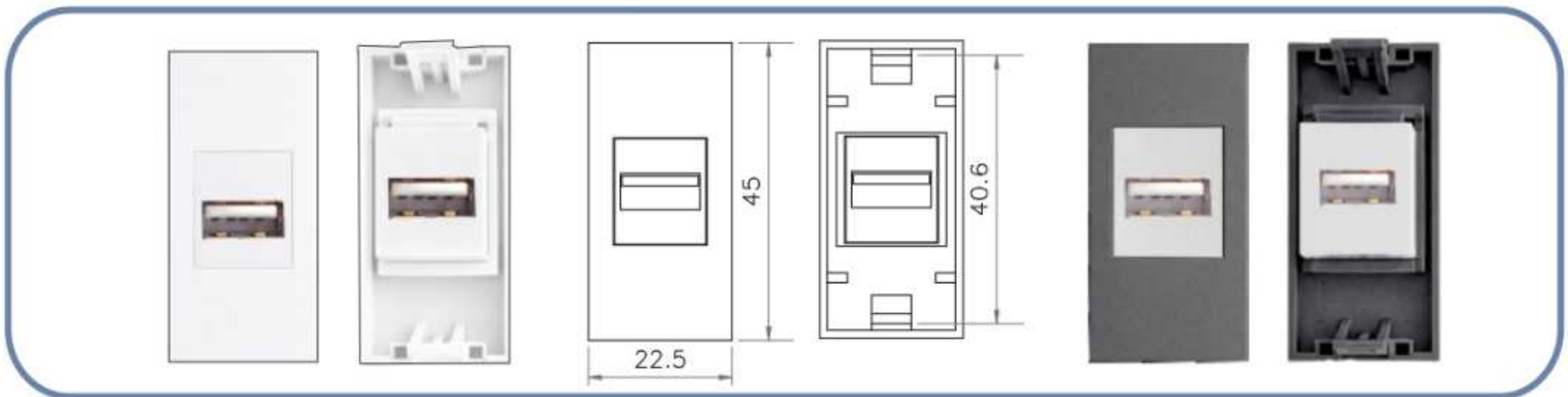
MX 7279 **Black** Blank Dummy Cover 45x45mm Modular Socket Plate



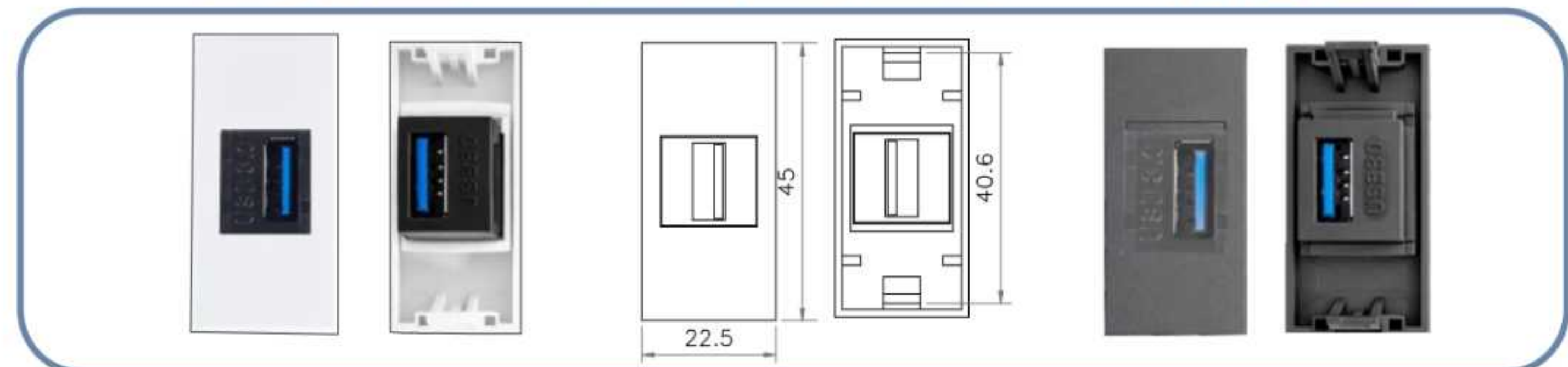
MX 7280 Manual Pass Through (2 Way) **Black**



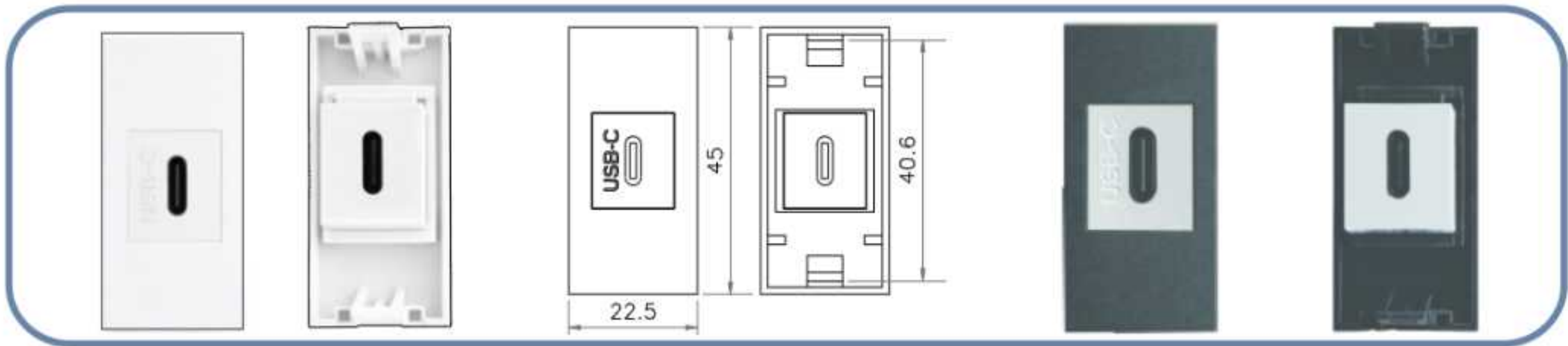
MX 7281 **White** USB A 2.0 KEY STONE FACE PLATE (JOINTER)1 Module **MX 7282** **Black**
22.5x45mm Modular Socket Plate



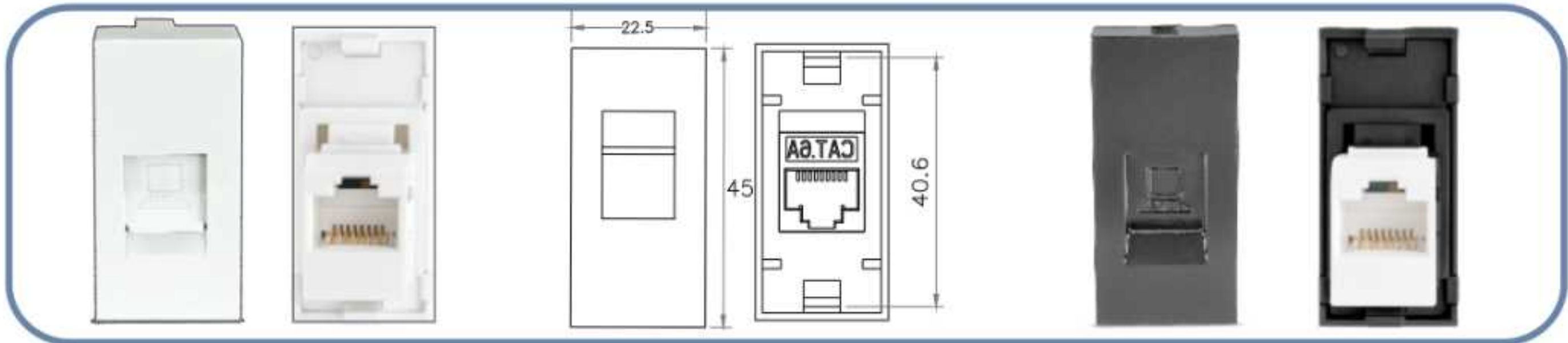
MX 7283 **White** USB A 3.0 KEY STONE FACE PLATE (JOINTER)1 Module **MX 7284** **Black**
22.5x45mm Modular Socket Plate



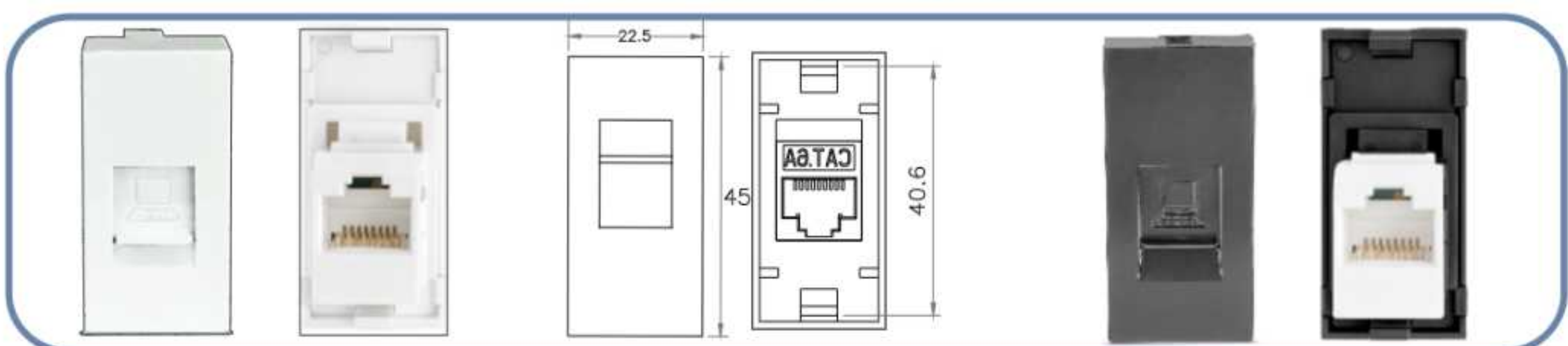
MX 7285 **White** USB TYPE C KEY STONE FACE PLATE (JOINTER) 1 Module **MX 7286** **Black**
2.5x45mm Modular Socket Plate



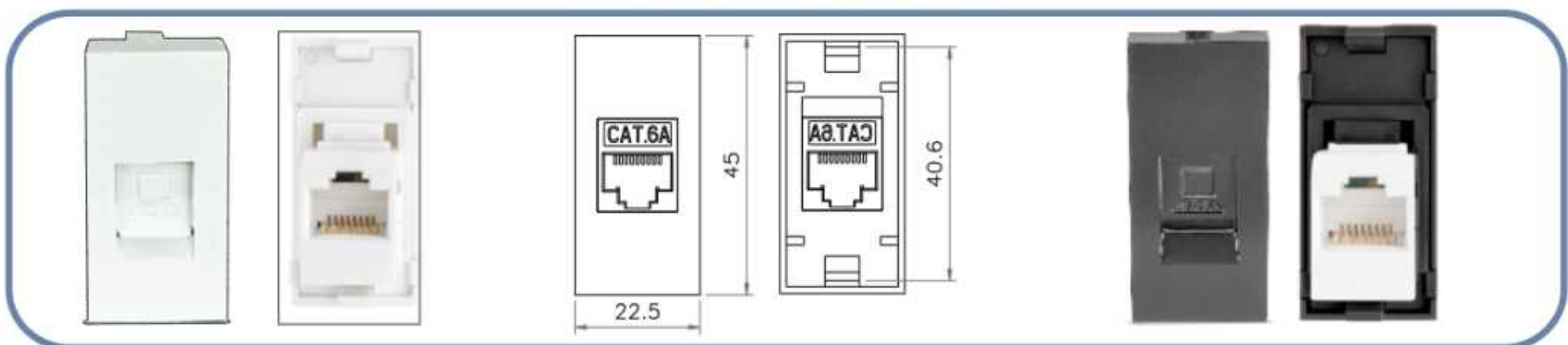
MX 7287 **White** CAT 6 DATA KEY STONE FACE PLATE (JOINTER) (INLINE COUPLER)1 Module **MX 7288** **Black**
22.5x45mm Modular Socket Plate



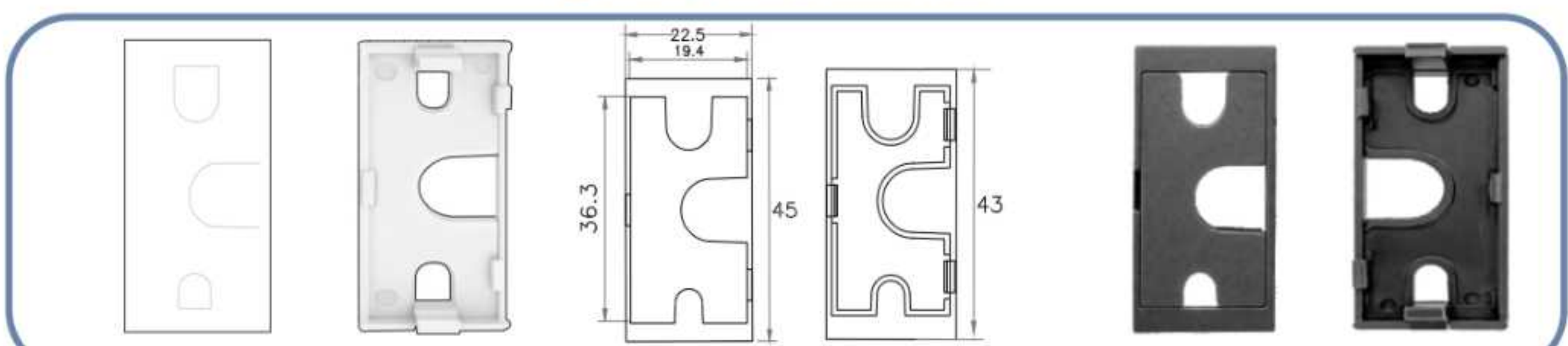
MX 7289 **White** CAT 6A DATA KEY STONE FACE PLATE (JOINTER) (INLINE COUPLER)1 Module **MX 7290** **Black**
22.5x45mm Modular Socket Plate



MX 7291 **White** CAT 6A DATA KEY STONE FACE PLATE (JOINTER) (SHIELDED INLINE COUPLER)1 Module **MX 7292** **Black**
22.5x45mm Modular Socket Plate



MX 7293 **White** 3 WAY MANUAL PASS THROUGH CABLE RETRACTOR1 Module **MX 7294** **Black**
22.5x45mm Modular Socket Plate



MX 7295







**1 WAY FEMALE HDMI 4K
 FACE PLATE MODULAR SOCKET 22.5X45MM**
**Cable Dia: 7mm Cable
 Length: 0.25mm (25cm)**

MX Retractable Cable Reels

HSN-8536






| Product Image | Model No. | SPECIFICATION |
|---|-------------------------------|--|
|  | MX 7370 (10 mtrs) | No. of Outlets : 1 Poles : 3 Pin Rated Current : 16A Cable Type : H03VV-F ISI Marked Certified Cable Section : 1.5mm² Material : PP |
| | MX 7370A (15 mtrs) | |
| | MX 7370B (20 mtrs) | |
|  | MX 7371 (10 mtrs) | No. of Outlets : 1 Poles : 3 Pin Rated Current : 32A Cable Type : H03VV-F ISI Marked Certified Cable Section : 2.5mm² Material : PP |
| | MX 7371A (15 mtrs) | |
| | MX 7371B (20 mtrs) | |
|  | MX 7372 (10 mtrs) | No. of Outlets : 1 Poles : 3 Pin Rated Current : 16A Cable Type : H03VV-F ISI Marked Certified Cable Section : 1.5mm² Material : ABS+STEEL |
| | MX 7372A (15 mtrs) | |
| | MX 7372B (20 mtrs) | |
|  | MX 7373 (10 mtrs) | No. of Outlets : 1 Poles : 3 Pin Rated Current : 32A Cable Type : H03VV-F ISI Marked Certified Cable Section : 2.5mm² Material : ABS+STEEL |
| | MX 7373A (15 mtrs) | |
| | MX 7373B (20 mtrs) | |

| Product Image | Model No. | SPECIFICATION |
|---|--------------------------------|--|
|  | MX 7374 (20 mtrs) | No. of Outlets : 2 Poles : 3 Pin IP Rating : IP44 Rated Current : 16A Rated Voltage : 220-250V Cable Section : 1.5mm² Power Switch : N/A |
| | MX 7374A (30 mtrs) | |
| | MX 7374B (50 mtrs) | |
|  | MX 7374C (20 mtrs) | No. of Outlets : 2 Poles : 3 Pin IP Rating : IP44 Rated Current : 32A Rated Voltage : 220-250V Cable Section : 2.5mm² |
| | MX 7374D (30 mtrs) | |
| | MX 7374E (50 mtrs) | |
|  | MX 7375 (20 mtrs) | No. of Outlets : 2 Poles : 3 Pin IP Rating : IP44 Rated Current : 16A Rated Voltage : 220-250V Cable Section : 1.5mm ² Power Switch : 32 AMP ELCB Switch |
| | MX 7375A (30 mtrs) | |
| | MX 7375B (50 mtrs) | |
|  | MX 7376 (20 mtrs) | No. of Outlets : 2 Poles : 3 Pin IP Rating : IP44 Rated Current : 16A Rated Voltage : 220-250V Cable Section : 1.5mm ² Power Switch : 32 AMP ELCB Switch |
| | MX 7376A (30 mtrs) | |
| | MX 7376B (50 mtrs) | |

MX Portable Cable Reels



HSN-8536



| Product Image | Model No. | SPECIFICATION |
|---|--|---|
|  | <p>MX 7377 (20 mtrs)</p> | <p>No. of Outlets : 2 Poles : 3 Pin IP Rating : IP44 Rated Current : 16A Rated Voltage : 220-250V Cable Section : 1.5mm² Power Switch : N/A</p> |
| | <p>MX 7377A (30 mtrs)</p> | |
|  | <p>MX 7377B (20 mtrs)</p> | <p>No. of Outlets : 2 Poles : 3 Pin IP Rating : IP44 Rated Current : 32A Rated Voltage : 220-250V Cable Section : 2.5mm² Power Switch : N/A</p> |
| | <p>MX 7377C (30 mtrs)</p> | |
|  | <p>MX 7378 (20 mtrs)</p> | <p>No. of Outlets : 2 Poles : 3 Pin IP Rating : IP44 Rated Current : 32A Rated Voltage : 220-250V Cable Section : 2.5mm² Power Switch : 32 AMP ELCB Switch</p> |
| | <p>MX 7378A (30 mtrs)</p> | |




MX Cords & Power Extensions

| Product Image | Model No. | SPECIFICATION |
|--|--------------------------------|---|
|  | MX 7368 (15 mtrs) | Poles : 3 Pin IP Rating : IP44 Rated Current : 16A Rated Voltage : 380-415V Hour Position : 6h Cable Section : 2.5mm² |
| | MX 7368A (20 mtrs) | |
| | MX 7368B (25 mtrs) | |
| | MX 7368C (30 mtrs) | |
|  | MX 7369 (15 mtrs) | Poles : 5 Pin IP Rating : IP67 Rated Current : 16A Rated Voltage : 380-415V Hour Position : 6h Cable Section : 2.5mm² |
| | MX 7369A (20 mtrs) | |
| | MX 7369B (20 mtrs) | |
| | MX 7369C (25 mtrs) | |

High End Type Industrial Plugs & Sockets

HSN-8536

| Description | Product Image | Model No. | IP Protection | Amp | Number of Pole | Voltage | Earthing |
|-----------------------------|---|-----------|---------------|------|----------------|---------|----------|
| WALL MOUNTED SOCKET |  | MX 7301 | IP44 | 16 | 2+E | 230V | 6h |
| | | MX 7379 | IP44 | 16 | 3+E | 400V | 6h |
| | | MX 7303 | IP44 | 16 | 3+E+N | 400V | 6h |
| | | MX 7302 | IP44 | 32 | 2+E | 230V | 6h |
| | | MX 7380 | IP44 | 32 | 3+E | 400V | 6h |
| | | MX 7304 | IP44 | 32 | 3+E+N | 400V | 6h |
| | | MX 7381 | IP44 | 63 | 2+E | 230V | 6h |
| | | MX 7382 | IP44 | 63 | 3+E | 400V | 6h |
| | | MX 7305 | IP44 | 63 | 3+E+N | 400V | 6h |
| WALL MOUNTED SOCKET |  | MX 7306 | IP67 | 16 | 2+E | 230V | 6h |
| | | MX 7383 | IP67 | 16 | 3+E | 400V | 6h |
| | | MX 7307 | IP67 | 16 | 3+E+N | 400V | 6h |
| | | MX 7384 | IP67 | 32 | 2+E | 230V | 6h |
| | | MX 7385 | IP67 | 32 | 3+E | 400V | 6h |
| | | MX 7308 | IP67 | 32 | 3+E+N | 400V | 6h |
| | | MX 7386 | IP67 | 63 | 2+E | 230V | 6h |
| | | MX 7387 | IP67 | 63 | 3+E | 400V | 6h |
| | | MX 7309 | IP67 | 63 | 3+E+N | 400V | 6h |
| | | MX 7388 | IP67 | 125 | 2+E | 230V | 6h |
| | | MX 7389 | IP67 | 125 | 3+E | 400V | 6h |
| MX 7390 | IP67 | 125 | 3+E+N | 400V | 6h | | |
| PANEL MOUNTED SOCKET ANGLED |  | MX 7310 | IP44 | 16 | 2+E | 230V | 6h |
| | | MX 7391 | IP44 | 16 | 3+E | 400V | 6h |
| | | MX 7313 | IP44 | 16 | 3+E+N | 400V | 6h |
| | | MX 7311 | IP44 | 32 | 2+E | 230V | 6h |
| | | MX 7395 | IP44 | 32 | 3+E | 400V | 6h |
| | | MX 7314 | IP44 | 32 | 3+E+N | 400V | 6h |
| | | MX 7312 | IP44 | 63 | 2+E | 230V | 6h |
| | | MX 7393 | IP44 | 63 | 3+E | 400V | 6h |

Description

Product Image

| Model No. | IP Protection | Amp | Number of Pole | Voltage | Earthing |
|-----------|---------------|-----|----------------|---------|----------|
| MX 7316 | IP67 | 16 | 2+E | 230V | 6h |
| MX 7394 | IP67 | 16 | 3+E | 400V | 6h |
| MX 7318 | IP67 | 16 | 3+E+N | 400V | 6h |
| MX 7317 | IP67 | 32 | 2+E | 230V | 6h |
| MX 7392 | IP67 | 32 | 3+E | 400V | 6h |
| MX 7319 | IP67 | 32 | 3+E+N | 400V | 6h |
| MX 7396 | IP67 | 63 | 2+E | 230V | 6h |
| MX 7397 | IP67 | 63 | 3+E | 400V | 6h |
| MX 7320 | IP67 | 63 | 3+E+N | 400V | 6h |
| MX 7398 | IP67 | 125 | 2+E | 230V | 6h |
| MX 7399 | IP67 | 125 | 3+E | 400V | 6h |
| MX 7321 | IP67 | 125 | 3+E+N | 400V | 6h |
| MX 7322 | IP44 | 16 | 2+E | 230V | 6h |
| MX 7400 | IP44 | 16 | 3+E | 400V | 6h |
| MX 7324 | IP44 | 16 | 3+E+N | 400V | 6h |
| MX 7323 | IP44 | 32 | 2+E | 230V | 6h |
| MX 7401 | IP44 | 32 | 3+E | 400V | 6h |
| MX 7325 | IP44 | 32 | 3+E+N | 400V | 6h |
| MX 7402 | IP44 | 63 | 2+E | 230V | 6h |
| MX 7403 | IP44 | 63 | 3+E | 400V | 6h |
| MX 7326 | IP44 | 63 | 3+E+N | 400V | 6h |
| MX 7327 | IP67 | 16 | 2+E | 230V | 6h |
| MX 7404 | IP67 | 16 | 3+E | 400V | 6h |
| MX 7405 | IP67 | 16 | 3+E+N | 400V | 6h |
| MX 7406 | IP67 | 32 | 2+E | 230V | 6h |
| MX 7407 | IP67 | 32 | 3+E | 400V | 6h |
| MX 7408 | IP67 | 32 | 3+E+N | 400V | 6h |
| MX 7409 | IP67 | 63 | 2+E | 230V | 6h |
| MX 7410 | IP67 | 63 | 3+E | 400V | 6h |
| MX 7411 | IP67 | 63 | 3+E+N | 400V | 6h |
| MX 7510 | IP67 | 125 | 3+E | 400V | 6h |

PANEL MOUNTED SOCKET ANGLED



PANEL MOUNTED SOCKET STRAIGHT



PANEL MOUNTED SOCKET STRAIGHT



High End Type Industrial Plugs & Sockets

HSN-8536

| Description | Product Image | Model No. | IP Protection | Amp | Number of Pole | Voltage | Earthing |
|--------------------|---|-------------------|---|---------|----------------|---------|----------|
| WALL MOUNTED PLUG |  | MX 7412 | IP44 | 16 | 2+E | 230V | 6h |
| | | MX 7413 | IP44 | 16 | 3+E | 400V | 6h |
| | | MX 7414 | IP44 | 16 | 3+E+N | 400V | 6h |
| | | MX 7415 | IP44 | 32 | 2+E | 230V | 6h |
| | | MX 7416 | IP44 | 32 | 3+E | 400V | 6h |
| | | MX 7417 | IP44 | 32 | 3+E+N | 400V | 6h |
| | | MX 7418 | IP44 | 63 | 2+E | 230V | 6h |
| | | MX 7419 | IP44 | 63 | 3+E | 400V | 6h |
| | | MX 7420 | IP44 | 63 | 3+E+N | 400V | 6h |
| | | WALL MOUNTED PLUG |  | MX 7421 | IP67 | 16 | 2+E |
| MX 7422 | IP67 | | | 16 | 3+E | 400V | 6h |
| MX 7423 | IP67 | | | 16 | 3+E+N | 400V | 6h |
| MX 7424 | IP67 | | | 32 | 2+E | 230V | 6h |
| MX 7425 | IP67 | | | 32 | 3+E | 400V | 6h |
| MX 7426 | IP67 | | | 32 | 3+E+N | 400V | 6h |
| MX 7427 | IP67 | | | 63 | 2+E | 230V | 6h |
| MX 7428 | IP67 | | | 63 | 3+E | 400V | 6h |
| MX 7429 | IP67 | | | 63 | 3+E+N | 400V | 6h |
| PANEL MOUNTED PLUG |  | | | MX 7433 | IP67 | 125 | 2+E |
| | | MX 7434 | IP67 | 125 | 3+E | 400V | 6h |
| | | MX 7435 | IP67 | 125 | 3+E+N | 400V | 6h |
| | | MX 7436 | IP44 | 16 | 2+E | 230V | 6h |
| | | MX 7437 | IP44 | 16 | 3+E | 400V | 6h |
| | | MX 7438 | IP44 | 16 | 3+E+N | 400V | 6h |
| | | MX 7439 | IP44 | 32 | 2+E | 230V | 6h |
| | | MX 7440 | IP44 | 32 | 3+E | 400V | 6h |
| | | MX 7441 | IP44 | 32 | 3+E+N | 400V | 6h |



Product Image

Description

Model No.

IP Protection

Amp

Number of Pole

Voltage

Earthing

PANEL MOUNTED PLUG



| | | | | | |
|---------|------|-----|-------|------|----|
| MX 7442 | IP67 | 16 | 2+E | 230V | 6h |
| MX 7443 | IP67 | 16 | 3+E | 400V | 6h |
| MX 7444 | IP67 | 16 | 3+E+N | 400V | 6h |
| MX 7445 | IP67 | 32 | 2+E | 230V | 6h |
| MX 7446 | IP67 | 32 | 3+E | 400V | 6h |
| MX 7447 | IP67 | 32 | 3+E+N | 400V | 6h |
| MX 7448 | IP67 | 63 | 2+E | 230V | 6h |
| MX 7449 | IP67 | 63 | 3+E | 400V | 6h |
| MX 7450 | IP67 | 63 | 3+E+N | 400V | 6h |
| MX 7451 | IP67 | 125 | 2+E | 230V | 6h |
| MX 7452 | IP67 | 125 | 3+E | 400V | 6h |
| MX 7453 | IP67 | 125 | 3+E+N | 400V | 6h |

PLUG



| | | | | | |
|---------|------|----|-------|------|----|
| MX 7328 | IP44 | 16 | 2+E | 230V | 6h |
| MX 7454 | IP44 | 16 | 3+E | 400V | 6h |
| MX 7331 | IP44 | 16 | 3+E+N | 400V | 6h |
| MX 7329 | IP44 | 32 | 2+E | 230V | 6h |
| MX 7455 | IP44 | 32 | 3+E | 400V | 6h |
| MX 7332 | IP44 | 32 | 3+E+N | 400V | 6h |
| MX 7330 | IP44 | 63 | 2+E | 230V | 6h |
| MX 7456 | IP44 | 63 | 3+E | 400V | 6h |
| MX 7333 | IP44 | 63 | 3+E+N | 400V | 6h |

PLUG



| | | | | | |
|---------|------|-----|-------|------|----|
| MX 7334 | IP67 | 16 | 2+E | 230V | 6h |
| MX 7457 | IP67 | 16 | 3+E | 400V | 6h |
| MX 7336 | IP67 | 16 | 3+E+N | 400V | 6h |
| MX 7335 | IP67 | 32 | 2+E | 230V | 6h |
| MX 7458 | IP67 | 32 | 3+E | 400V | 6h |
| MX 7337 | IP67 | 32 | 3+E+N | 400V | 6h |
| MX 7459 | IP67 | 63 | 2+E | 230V | 6h |
| MX 7460 | IP67 | 63 | 3+E | 400V | 6h |
| MX 7338 | IP67 | 63 | 3+E+N | 400V | 6h |
| MX 7461 | IP67 | 125 | 3+E | 230V | 6h |
| MX 7462 | IP67 | 125 | 3+E | 400V | 6h |
| MX 7339 | IP67 | 125 | 3+E | 400V | 6h |

High End Type Industrial Plugs & Sockets

HSN-8536

Description

Product Image

Model No.

IP Protection

Amp

Number of Pole

Voltage

Earthing

CONNECTOR



| | | | | | |
|---------|------|----|-------|------|----|
| MX 7340 | IP44 | 16 | 2+E | 230V | 6h |
| MX 7463 | IP44 | 16 | 3+E | 400V | 6h |
| MX 7342 | IP44 | 16 | 3+E+N | 400V | 6h |
| MX 7341 | IP44 | 32 | 2+E | 230V | 6h |
| MX 7464 | IP44 | 32 | 3+E | 400V | 6h |
| MX 7343 | IP44 | 32 | 3+E+N | 400V | 6h |
| MX 7465 | IP44 | 63 | 2+E | 230V | 6h |
| MX 7466 | IP44 | 63 | 3+E | 400V | 6h |
| MX 7344 | IP44 | 63 | 3+E+N | 400V | 6h |

CONNECTOR



| | | | | | |
|---------|------|-----|-------|------|----|
| MX 7467 | IP67 | 16 | 2+E | 230V | 6h |
| MX 7468 | IP67 | 16 | 3+E | 400V | 6h |
| MX 7345 | IP67 | 16 | 3+E+N | 400V | 6h |
| MX 7469 | IP67 | 32 | 2+E | 230V | 6h |
| MX 7470 | IP67 | 32 | 3+E | 400V | 6h |
| MX 7346 | IP67 | 32 | 3+E+N | 400V | 6h |
| MX 7471 | IP67 | 63 | 2+E | 230V | 6h |
| MX 7472 | IP67 | 63 | 3+E | 400V | 6h |
| MX 7347 | IP67 | 63 | 3+E+N | 400V | 6h |
| MX 7473 | IP67 | 125 | 2+E | 230V | 6h |
| MX 7474 | IP67 | 125 | 3+E | 400V | 6h |
| MX 7348 | IP67 | 125 | 3+E+N | 400V | 6h |

INTERLOCK SOCKET WITH DUO



| | | | | | |
|---------|------|----|-------|------|----|
| MX 7475 | IP44 | 16 | 2+E | 230V | 6h |
| MX 7476 | IP44 | 16 | 3+E | 400V | 6h |
| MX 7477 | IP44 | 16 | 3+E+N | 400V | 6h |
| MX 7478 | IP44 | 32 | 2+E | 230V | 6h |
| MX 7479 | IP44 | 32 | 3+E | 400V | 6h |
| MX 7480 | IP44 | 32 | 3+E+N | 400V | 6h |
| MX 7481 | IP44 | 63 | 2+E | 230V | 6h |
| MX 7482 | IP44 | 63 | 3+E | 400V | 6h |
| MX 7483 | IP44 | 63 | 3+E+N | 400V | 6h |



Product Image

Description

INTERLOCK SOCKET WITH DUO



INTERLOCK SWITCHED SOCKET



INTERLOCK SWITCHED SOCKET



| Model No. | IP Protection | Amp | Number of Pole | Voltage | Earthing |
|-----------|---------------|-----|----------------|---------|----------|
| MX 7349 | IP67 | 16 | 2+E | 230V | 6h |
| MX 7484 | IP67 | 16 | 3+E | 400V | 6h |
| MX 7351 | IP67 | 16 | 3+E+N | 400V | 6h |
| MX 7350 | IP67 | 32 | 2+E | 230V | 6h |
| MX 7485 | IP67 | 32 | 3+E | 400V | 6h |
| MX 7352 | IP67 | 32 | 3+E+N | 400V | 6h |
| MX 7486 | IP67 | 63 | 2+E | 230V | 6h |
| MX 7487 | IP67 | 63 | 3+E | 400V | 6h |
| MX 7353 | IP67 | 63 | 3+E+N | 400V | 6h |
| MX 7488 | IP67 | 125 | 2+E | 230V | 6h |
| MX 7489 | IP67 | 125 | 3+E | 400V | 6h |
| MX 7490 | IP67 | 125 | 3+E+N | 400V | 6h |
| MX 7491 | IP44 | 16 | 2+E | 230V | 6h |
| MX 7492 | IP44 | 16 | 3+E | 400V | 6h |
| MX 7493 | IP44 | 16 | 3+E+N | 400V | 6h |
| MX 7494 | IP44 | 32 | 2+E | 230V | 6h |
| MX 7495 | IP44 | 32 | 3+E | 400V | 6h |
| MX 7496 | IP44 | 32 | 3+E+N | 400V | 6h |
| MX 7497 | IP44 | 63 | 2+E | 230V | 6h |
| MX 7498 | IP44 | 63 | 3+E | 400V | 6h |
| MX 7499 | IP44 | 63 | 3+E+N | 400V | 6h |
| MX 7354 | IP67 | 16 | 2+E | 230V | 6h |
| MX 7500 | IP67 | 16 | 3+E | 400V | 6h |
| MX 7356 | IP67 | 16 | 3+E+N | 400V | 6h |
| MX 7355 | IP67 | 32 | 2+E | 230V | 6h |
| MX 7501 | IP67 | 32 | 3+E | 400V | 6h |
| MX 7357 | IP67 | 32 | 3+E+N | 400V | 6h |
| MX 7502 | IP67 | 63 | 2+E | 230V | 6h |
| MX 7503 | IP67 | 63 | 3+E | 400V | 6h |
| MX 7358 | IP67 | 63 | 3+E+N | 400V | 6h |
| MX 7504 | IP67 | 125 | 3+E | 230V | 6h |
| MX 7505 | IP67 | 125 | 3+E | 400V | 6h |
| MX 7506 | IP67 | 125 | 3+E+N | 400V | 6h |

High End Type Industrial Plugs & Sockets

HSN-8536

| Description | Product Image | Model No. | IP Protection | Amp | Number of Pole | Voltage | Earthing |
|-------------------------------------|---|---------------|---------------|-------|----------------|---------|----------|
| INTERLOCK SOCKET |  | MX 7507 | IP67 | 16 | 2+E | 230V | |
| SCHUKO PLUG |  | MX 7359 | IP44 | 16/20 | 2 PIN | 230V | |
| SCHUKO SOCKET Screw Terminals |  | MX 7360 BL | IP54 | 16 | 2 PIN | 230V | |
| |  | MX 7360 BK | IP54 | 16 | 2 PIN | 230V | |
| SCHUKO CONNECTOR |  | MX 7361 | IP54 | 16 | 2 PIN | 230V | |
| SCHUKO SOCKET SCREW TERMINALS |  | MX 7362 WH | IP67 | 16 | 2 PIN | 230V | |
| |  | MX 7362 BL | IP67 | 16 | 2 PIN | 230V | |
| SCHUKO CONNECTOR |  | MX 7508 | IP67 | 16 | 2 PIN | 230V | |
| SCHUKO PLUG |  | MX 7509 | IP67 | 16 | 2 PIN | 230V | |
| UNIVERSAL SOCKET Screw Terminals |  | MX 7363 | IP54 | 16 | 2 PIN | 230V | |



Product Image

Description

Model No.

IP Protection

Amp

Number of Pole

Voltage

Earthing

MULTI-FUNCTIONAL JUNCTION BOX



MX 7364

IP44

16

2+E

230V

6h

MX 7365

IP44

16

3+E

400V

6h

MX 7366

IP44

32

3+E+N

230V

6h

MX 7367

IP44

32

2+E

400V

6h

LARGE AMP STRAIGHT PLUG



MX 7511

IP67

160

3+E

380-690V

6h

MX 7512

IP67

160

3+E+N

380-690V

6h

MX 7513

IP67

200

2+E

380-690V

6h

MX 7514

IP67

200

3+E

380-690V

6h

MX 7515

IP67

250

3+E+N

380-690V

6h

MX 7516

IP67

250

2+E

380-690V

6h

LARGE AMP STRAIGHT PLUG



MX 7517

IP67

300

3+E

380-690V

6h

MX 7518

IP67

300

3+E+N

380-690V

6h

MX 7519

IP67

350

2+E

380-690V

6h

MX 7520

IP67

350

3+E

380-690V

6h

MX 7521

IP67

400

3+E+N

380-690V

6h

MX 7522

IP67

400

2+E

380-690V

6h

LARGE AMP SOCKET



MX 7523

IP67

160

3+E

380-690V

6h

MX 7524

IP67

160

3+E+N

380-690V

6h

MX 7525

IP67

200

2+E

380-690V

6h

MX 7526

IP67

200

3+E

380-690V

6h

MX 7527

IP67

250

3+E+N

380-690V

6h

MX 7528

IP67

250

2+E

380-690V

6h

LARGE AMP CONNECTOR



MX 7529

IP67

300

3+E

380-690V

6h

MX 7530

IP67

300

3+E+N

380-690V

6h

MX 7531

IP67

350

2+E

380-690V

6h

MX 7532

IP67

350

3+E

380-690V

6h

MX 7533

IP67

400

3+E+N

380-690V

6h

MX 7534

IP67

400

2+E

380-690V

6h

PANEL SOCKET



MX 7535

IP67

160

3+E

380-690V

6h

MX 7536

IP67

160

3+E+N

380-690V

6h

MX 7537

IP67

200

3+E

380-690V

6h

MX 7538

IP67

200

3+E+N

380-690V

6h

MX 7539

IP67

250

3+E

380-690V

6h

MX 7540

IP67






250

3+E+N

380-690V

6h

High End Type Industrial Plugs & Sockets

| Description | Product Image | Model No. | IP Protection | Amp | Number of Pole | Voltage | Earthing |
|-------------------------------|---|-----------|---------------|------|---------------------------------|----------|----------|
| PANEL SOCKET |  | MX 7541 | IP67 | 300 | 3+E | 380-690V | 6h |
| | | MX 7542 | IP67 | 300 | 3+E+N | 380-690V | 6h |
| | | MX 7543 | IP67 | 350 | 3+E | 380-690V | 6h |
| | | MX 7544 | IP67 | 350 | 3+E+N | 380-690V | 6h |
| | | MX 7545 | IP67 | 400 | 3+E | 380-690V | 6h |
| | | MX 7546 | IP67 | 400 | 3+E+N | 380-690V | 6h |
| PANEL PLUG |  | MX 7547 | IP67 | 160 | 3+E | 380-690V | 6h |
| | | MX 7548 | IP67 | 160 | 3+E+N | 380-690V | 6h |
| | | MX 7549 | IP67 | 200 | 3+E | 380-690V | 6h |
| | | MX 7550 | IP67 | 200 | 3+E+N | 380-690V | 6h |
| | | MX 7551 | IP67 | 250 | 3+E | 380-690V | 6h |
| | | MX 7552 | IP67 | 250 | 3+E+N | 380-690V | 6h |
| PANEL PLUG |  | MX 7553 | IP67 | 300 | 3+E | 380-690V | 6h |
| | | MX 7554 | IP67 | 300 | 3+E+N | 380-690V | 6h |
| | | MX 7555 | IP67 | 350 | 3+E | 380-690V | 6h |
| | | MX 7556 | IP67 | 350 | 3+E+N | 380-690V | 6h |
| | | MX 7557 | IP67 | 400 | 3+E | 380-690V | 6h |
| | | MX 7558 | IP67 | 400 | 3+E+N | 380-690V | 6h |
| US TYPE CAMLOCK Straight Plug |  | MX 7559 | IP44 | 200A | Black, Green, Blue, Red, Yellow | 600V | |
| | | MX 7560 | IP44 | 400A | Black, Green, Blue, Red, Yellow | 600V | |
| US TYPE CAMLOCK Panel Plug |  | MX 7561 | IP44 | 200A | Black, Green, Blue, Red, Yellow | 600V | |
| | | MX 7562 | IP44 | 400A | Black, Green, Blue, Red, Yellow | 600V | |



Description

Product Image

Model No.

IP Protection

Amp

Number of Pole

Voltage

Earthing

**US TYPE
CAMLOCK
Connector**



MX 7563

IP44

200A

Black, Green,
Blue, Red,
Yellow

600V



MX 7564

IP44

400A

Black, Green,
Blue, Red,
Yellow

600V

**US TYPE
CAMLOCK
Panel Socket**



MX 7565

IP44

200A

Black, Green,
Blue, Red,
Yellow

600V

MX 7566

IP44

400A

Black, Green,
Blue, Red,
Yellow

600V

**T CONNECTOR
1 Outlet + 2 Inlets**



MX 7567

IP44

400A

Black, Green,
Blue, Red,
Yellow

600V

**WALL
MOUNTED
SOCKET**



MX 7301E

IP44

16

2+E

230V

6h

MX 7379E

IP44

16

3+E

400V

6h

MX 7303E

IP44

16

3+E+N

400V

6h

MX 7302E

IP44

32

2+E

230V

6h

MX 7380E

IP44

32

3+E

400V

6h

MX 7304E

IP44

32

3+E+N

400V

6h

MX 7381E

IP44

63

2+E

230V

6h

MX 7382E

IP44

63

3+E

400V

6h

MX 7305E

IP44

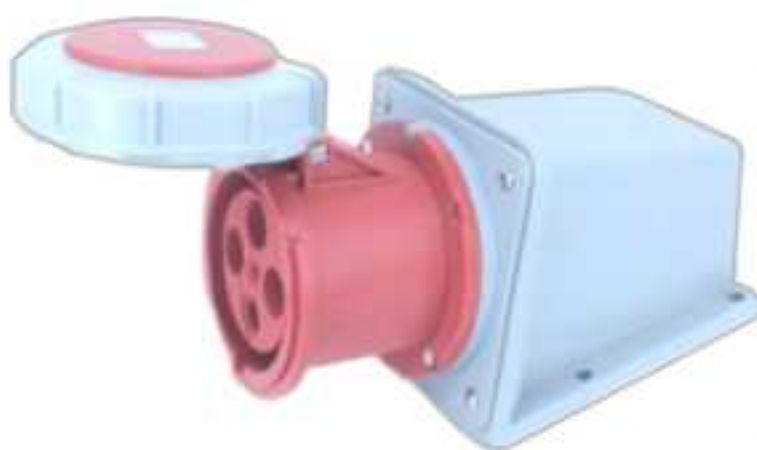
63

3+E+N

400V

6h

**WALL
MOUNTED
SOCKET**



MX 7305E

IP67

16

2+E

230V

6h

MX 7306E

IP67

16

3+E

400V

6h

MX 7383E

IP67

16

3+E+N

400V

6h

MX 7307E

IP67

32

2+E

230V

6h

MX 7384E

IP67

32

3+E

400V

6h

MX 7385E

IP67

32

3+E+N

400V

6h

MX 7308E

IP67

63

2+E

230V

6h

MX 7386E

IP67

63

3+E

400V

6h

MX 7387E

IP67

63

3+E+N

400V

6h

MX 7309E

IP67

125

2+E

230V

6h

MX 7388E

IP67

125

3+E

400V

6h

MX 7389E

IP67

125

3+E+N

400V





6h






High End Type Industrial Plugs & Sockets




HSN-8536

| Description | Product Image | Model No. | IP Protection | Amp | Number of Pole | Voltage | Earthing |
|-------------------------------|---|-----------|---------------|-----|----------------|---------|----------|
| PANEL MOUNTED SOCKET STRAIGHT |  | MX 7322E | IP44 | 16 | 2+E | 230V | 6h |
| | | MX 7400E | IP44 | 16 | 3+E | 400V | 6h |
| | | MX 7324E | IP44 | 16 | 3+E+N | 400V | 6h |
| | | MX 7323E | IP44 | 32 | 2+E | 230V | 6h |
| | | MX 7401E | IP44 | 32 | 3+E | 400V | 6h |
| | | MX 7325E | IP44 | 32 | 3+E+N | 400V | 6h |
| | | MX 7402E | IP44 | 63 | 2+E | 230V | 6h |
| | | MX 7403E | IP44 | 63 | 3+E | 400V | 6h |
| | | MX 7326E | IP44 | 63 | 3+E+N | 400V | 6h |
| PANEL MOUNTED SOCKET STRAIGHT |  | MX 7327E | IP67 | 16 | 2+E | 230V | 6h |
| | | MX 7404E | IP67 | 16 | 3+E | 400V | 6h |
| | | MX 7405E | IP67 | 16 | 3+E+N | 400V | 6h |
| | | MX 7406E | IP67 | 32 | 2+E | 230V | 6h |
| | | MX 7407E | IP67 | 32 | 3+E | 400V | 6h |
| | | MX 7408E | IP67 | 32 | 3+E+N | 400V | 6h |
| | | MX 7409E | IP67 | 63 | 2+E | 230V | 6h |
| | | MX 7410E | IP67 | 63 | 3+E | 400V | 6h |
| | | MX 7411E | IP67 | 63 | 3+E+N | 400V | 6h |
| WALL MOUNTED PLUG |  | MX 7412E | IP44 | 16 | 2+E | 230V | 6h |
| | | MX 7413E | IP44 | 16 | 3+E | 400V | 6h |
| | | MX 7414E | IP44 | 16 | 3+E+N | 400V | 6h |
| | | MX 7415E | IP44 | 32 | 2+E | 230V | 6h |
| | | MX 7416E | IP44 | 32 | 3+E | 400V | 6h |
| | | MX 7417E | IP44 | 32 | 3+E+N | 400V | 6h |
| | | MX 7418E | IP44 | 63 | 2+E | 230V | 6h |
| | | MX 7419E | IP44 | 63 | 3+E | 400V | 6h |
| | | MX 7420E | IP44 | 63 | 3+E+N | 400V | 6h |

| Description | Product Image | Model No. | IP Protection | Amp | Number of Pole | Voltage | Earthing |
|--------------------|---|---------------|---------------|------|----------------|---------|----------|
| WALL MOUNTED PLUG |  | MX 7427E | IP67 | 63 | 2+E | 230V | 6h |
| | | MX 7428E | IP67 | 63 | 3+E | 400V | 6h |
| | | MX 7429E | IP67 | 63 | 3+E+N | 400V | 6h |
| | | MX 7430E | IP67 | 125 | 2+E | 230V | 6h |
| | | MX 7431E | IP67 | 125 | 3+E | 400V | 6h |
| | | MX 7432E | IP67 | 125 | 3+E+N | 400V | 6h |
| PANEL MOUNTED PLUG |  | MX 7433E | IP44 | 16 | 2+E | 230V | 6h |
| | | MX 7434E | IP44 | 16 | 3+E | 400V | 6h |
| | | MX 7435E | IP44 | 16 | 3+E+N | 400V | 6h |
| | | MX 7436E | IP44 | 32 | 2+E | 230V | 6h |
| | | MX 7437E | IP44 | 32 | 3+E | 400V | 6h |
| | | MX 7438E | IP44 | 32 | 3+E+N | 400V | 6h |
| | | MX 7439E | IP44 | 63 | 2+E | 230V | 6h |
| | | MX 7440E | IP44 | 63 | 3+E | 400V | 6h |
| PANEL MOUNTED PLUG |  | MX 7448E | IP67 | 63 | 2+E | 230V | 6h |
| | | MX 7449E | IP67 | 63 | 3+E | 400V | 6h |
| | | MX 7450E | IP67 | 63 | 3+E+N | 400V | 6h |
| | | MX 7451E | IP67 | 125 | 2+E | 230V | 6h |
| | | MX 7452E | IP67 | 125 | 3+E | 400V | 6h |
| | | MX 7453E | IP67 | 125 | 3+E+N | 400V | 6h |
| PLUG |  | MX 7328E | IP44 | 16 | 2+E | 230V | 6h |
| | | MX 7328E (BK) | IP44 | 16 | 2+E | 230V | 6h |
| | | MX 7454E | IP44 | 16 | 3+E | 400V | 6h |
| | | MX 7331E | IP44 | 16 | 3+E+N | 400V | 6h |
| | | MX 7329E | IP44 | 32 | 2+E | 230V | 6h |
| | | MX 7455E | IP44 | 32 | 3+E | 400V | 6h |
| | | MX 7332E | IP44 | 32 | 3+E+N | 400V | 6h |
| | | MX 7330E | IP44 | 63 | 2+E | 230V | 6h |
| | | MX 7456E | IP44 | 63 | 3+E | 400V | 6h |
| MX 7333E | IP44 | 63 | 3+E+N | 400V | 6h | | |

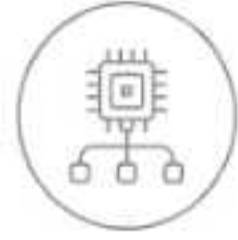
| Description | Product Image | Model No. | IP Protection | Amp | Number of Pole | Voltage | Earthing |
|-------------|---|-----------|---|----------|----------------|---------|----------|
| PLUG |  | MX 7334E | IP67 | 16 | 2+E | 230V | 6h |
| | | MX 7457E | IP67 | 16 | 3+E | 400V | 6h |
| | | MX 7336E | IP67 | 16 | 3+E+N | 400V | 6h |
| | | MX 7335E | IP67 | 32 | 2+E | 230V | 6h |
| | | MX 7458E | IP67 | 32 | 3+E | 400V | 6h |
| | | MX 7337E | IP67 | 32 | 3+E+N | 400V | 6h |
| | | MX 7459E | IP67 | 63 | 2+E | 230V | 6h |
| | | MX 7460E | IP67 | 63 | 3+E | 400V | 6h |
| | | MX 7338E | IP67 | 63 | 3+E+N | 400V | 6h |
| | | MX 7461E | IP67 | 125 | 2+E | 230V | 6h |
| | | MX 7462E | IP67 | 125 | 3+E | 400V | 6h |
| | | MX 7339E | IP67 | 125 | 3+E+N | 400V | 6h |
| | | CONNECTOR |  | MX 7340E | IP44 | 16 | 2+E |
| MX 7463E | IP44 | | | 16 | 3+E | 400V | 6h |
| MX 7342E | IP44 | | | 16 | 3+E+N | 400V | 6h |
| MX 7341E | IP44 | | | 32 | 2+E | 230V | 6h |
| MX 7464E | IP44 | | | 32 | 3+E | 400V | 6h |
| MX 7343E | IP44 | | | 32 | 3+E+N | 400V | 6h |
| MX 7465E | IP44 | | | 63 | 2+E | 230V | 6h |
| MX 7466E | IP44 | | | 63 | 3+E | 400V | 6h |
| MX 7344E | IP44 | | | 63 | 3+E+N | 400V | 6h |
| CONNECTOR |  | MX 7467E | IP67 | 16 | 2+E | 230V | 6h |
| | | MX 7468E | IP67 | 16 | 3+E | 400V | 6h |
| | | MX 7345E | IP67 | 16 | 3+E+N | 400V | 6h |
| | | MX 7469E | IP67 | 32 | 2+E | 230V | 6h |
| | | MX 7470E | IP67 | 32 | 3+E | 400V | 6h |
| | | MX 7346E | IP67 | 32 | 3+E+N | 400V | 6h |
| | | MX 7471E | IP67 | 63 | 2+E | 230V | 6h |
| | | MX 7472E | IP67 | 63 | 3+E | 400V | 6h |
| | | MX 7347E | IP67 | 63 | 3+E+N | 400V | 6h |
| | | MX 7473E | IP67 | 125 | 2+E | 230V | 6h |
| | | MX 7474E | IP67 | 125 | 3+E | 400V | 6h |
| | | MX 7348E | IP67 | 125 | 3+E+N | 400V | 6h |



| Product Image | Model No. | IP Protection | Amp | Number of Pole | Voltage | Earthing |
|--|---|---------------|------|----------------|---------|-----------|
| Description | | | | | | |
| <p>MULTIPLE MULTI-FUNCTION SOCKET</p> |  | MX 7568E | IP44 | 16 | 2+E | 230V 3Way |
| |  | MX 7569E | IP44 | 32 | 3+E+N | 400V 3Way |
| |  | MX 7570E | IP67 | 16 | 2+E | 230V 2Way |



Smart-Intelligent Power Distribution Unit (PDU)



Intelligent data acquisition



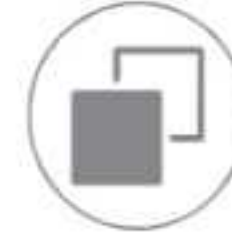
Remote monitoring management



Supports IP filtering



Multiple alarm methods



Supports cascading



Wide voltage platform

- Real-time monitoring and control for optimized uptime.
- Energy-efficient design to reduce operational costs.
- Scalable solutions that adapt to growing IT infrastructure.
- Advanced safety features with overload and surge protection.
- Centralized access for secure and seamless data center management.
- Customizable configurations including C13, C14, C19, C20, Universal, Indian, UK, Schuko, USA sockets, and more

MX 4262

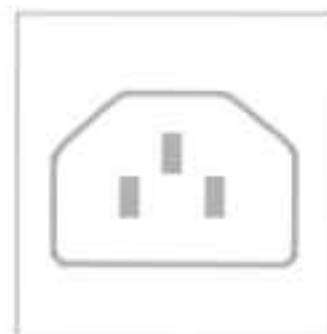
- Wide voltage input: 150–433V / 110–250V, Output: 100–260V
- Current capacity: 16–400A (single/three-phase)
- Interfaces: USB, RS232, RS485, Network, Buzzer indicators
- Self-wiring junction box with intelligent monitor module
- Customizable output module with color-coded outlets
- Supports cascading Upto 7 Modules (42 Sockets)

MX 4263

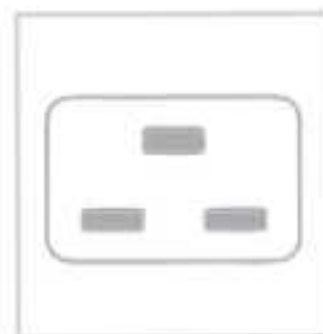
- Wide voltage input: 150–433V / 110–250V, Output: 100–260V
- Current capacity: 16–400A (single/three-phase)
- Interfaces: USB, RS485, Network, Sensor ports (1–4), Dry node outputs (1–2)
- Modular customizable design



IEC C13



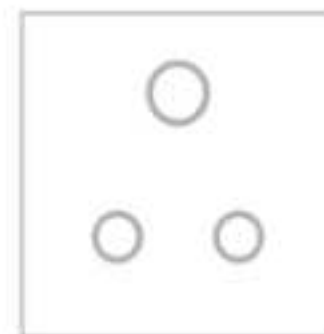
IEC C14



IEC C19



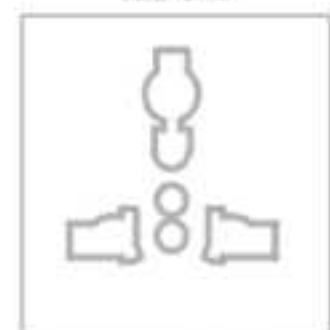
IEC C20



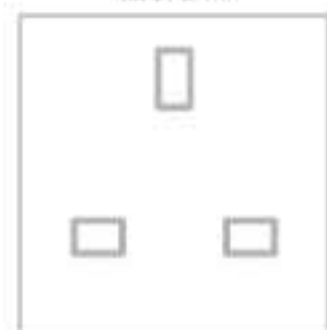
INDIAN SOCKET



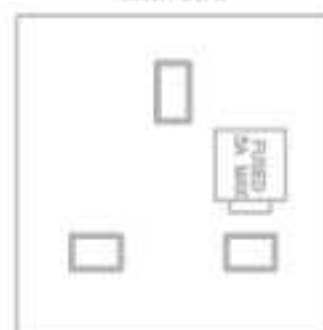
INDIAN SOCKET



UNIVERSAL SOCKET



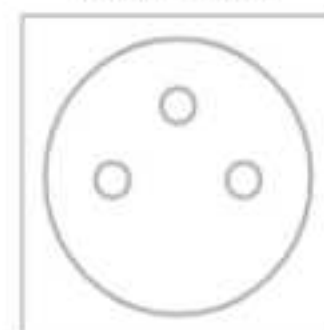
UK SOCKET



UK SOCKET W/FUSE & SHUTTER



GERMAN SCHUKO SOCKET



FRENCH SOCKET



USA SOCKET



MX 4262



MX 4263

Grateful For The Following Brands For Their Trust

| | | |
|--|--|--|
|  <p>Reliance</p> | <p>PHILIPS</p> |  |
|  <p>Unilever</p> | <p>Walmart </p> |  |
|  <p>HSBC</p> | <p>KONE</p> |  <p>Pidilite</p> |
| <p>TATA</p> |  | <p>Infosys</p> |
| <p>McKinsey & Company</p> | <p>IIT </p> |  |
|  <p>IndianOil</p> | <p>TAJ </p> | <p>L'ORÉAL</p> |
| <p>AIRBUS</p> |  |  |
|  |  |  |
|  <p>GR Infraprojects Ltd.</p> |  |  |
|  <p>99GAMES</p> |  <p>Sapient Creating Happy Investors</p> |  |
|  | <p>SCAME</p> | <p>Rustomjee</p> |
|  |  |  |



CONNECTING THE FUTURE

MX MDR TECHNOLOGIES LTD.

EXPERIENCE CENTER :

Unit No.5/K, Laxmi Industrial Estate, New Link Road, Andheri (W),
Mumbai-400053, INDIA

FACTORY :

Plot No.101, Sector1 Gaurai pada, Vasai (E), Dist. Palghar-401208. INDIA

☎ +91 98922 50949 ✉ info@mdrelectronics.com

www.mdrelectronics.com

